



**BOOM ARM
MOWER**

Rev 09-08

Part No. 02981992P

PART'S MANUAL

ATENCIÓN!

LEA EL INSTRUCTIVO

Si No Lee Ingles, Pida Ayuda a Alguien
Que Si Lo Lea Para Que le Traduzca las
Medidas de Seguridad.



An Operator's Manual was shipped with the equipment in the Manual Canister. This Operator's Manual is an integral part of the safe operation of this machine and must be maintained with the unit at all times. **READ, UNDERSTAND, and FOLLOW** the Safety and Operation Instructions contained in this manual before operating the equipment. If the Operator's Manual is not with the equipment, contact your dealer or Alamo Industrial (830-379-1480) to obtain a Free copy before operating the equipment.

ALAMO INDUSTRIAL

1502 E. Walnut
Seguin, Texas 78155
830-379-1480



TO THE OWNER/OPERATOR/DEALER

All implements with moving parts are potentially hazardous. There is no substitute for a cautious, safe-minded operator who recognizes the potential hazards and follows reasonable safety practices. The manufacturer has designed this implement to be used with all its safety equipment properly attached to minimize the chance of accidents.

BEFORE YOU START!!

Read the safety messages on the implement and shown in your manual.
Observe the rules of safety and common sense!



DANGER

FAILING TO FOLLOW SAFETY MESSAGES AND OPERATING INSTRUCTION CAN CAUSE SERIOUS BODILY INJURY OR EVEN DEATH TO OPERATOR AND OTHERS IN THE AREA.

<p>1. </p>	<p>2. NO RIDERS. NO CHILDREN OPERATORS. </p>	<p>3. USE SAFETY SHOES, HARD HAT, SAFETY GLASSES, SEAT BELTS, ROPS & OPS. </p>	<p>4. BLOCK UP SECURELY BEFORE WORKING UNDER. </p>
<ol style="list-style-type: none"> 1. Study and understand Operator's Manuals, Safety Decals, and Instructional Decals for tractor and implement to prevent misuse, abuse, and accidents. Practice before operating in a confined area or near passersby. <ul style="list-style-type: none"> • Learn how to stop engine suddenly in an emergency. Be alert for passersby and especially children. 2. Allow no children on or near folding mower or tractor. Allow no riders on tractor or implement. Falling off may cause serious injury or death from being run over by tractor or mower or contact with rotating blades. 3. Operate only with tractor having Roll-Over Protective Structure (ROPS) and with seat belt securely fastened to prevent injury and possible death from falling off or tractor overturn. <ul style="list-style-type: none"> • Personal Protective Equipment such as Hard Hat, Safety Glasses, Safety Shoes, & Ear Plugs are recommended. 4. Block up or support raised machine and all lifted components securely before putting hands or feet under or working underneath any lifted component to prevent crushing injury or death from sudden dropping or inadvertent operation of controls. Make certain area is clear before lowering or folding. 5. Before transporting, put Lift Lever in detent or full-lift position. Install Transport Safety Devices securely on folding mowers. Put Booms securely in Transport Rest. <ul style="list-style-type: none"> • Folding and Boom Mowers have raised center of gravity. Slow down when turning and on hillsides. 6. Make certain that SMV sign, warning lights, and reflectors are clearly visible. Follow local traffic codes. 7. Never operate with Cutting Head or Folding Section raised if passersby, bystanders, or traffic are in the area to reduce possibility of injury or death from objects thrown by Blades under Guards or mower structure. 8. Before dismounting, secure implement in transport position or lower to ground. <ul style="list-style-type: none"> • Put tractor in park or set brake, disengage PTO, stop engine, remove key, and wait until noise of rotation has ceased to prevent crushing by entanglement in rotating parts which could cause injury or death. • Never mount or dismount a moving vehicle. Crushing from rollover may cause serious injury or death. 			
<p>5. TRANSPORT SAFELY, LOCK UP. </p>	<p>6. USE SMV, LIGHTS, & REFLECTORS. </p>	<p>7. DO NOT OPERATE WITH CUTTER OR WING RAISED </p>	<p>8. DO NOT MOUNT OR DISMOUNT WHILE MOVING. </p>

02967827

WARRANTY INFORMATION:

Read and understand the complete Warranty Statement found in this Manual. Fill out the Warranty Registration Form in full and return it within 30 Days. Make certain the Serial Number of the Machine is recorded on the Warranty Card and on the Warranty Form that you retain. The use of "will-fit" parts will void your warranty and can cause catastrophic failure with possible injury or death.

PARTS SECTION

PARTS ORDERING GUIDE

The following instructions are offered to help eliminate needless delay and error in processing purchase orders for the equipment in this section.

1. The Parts Section is prepared in logical sequence and grouping of parts that belong to the basic machine featured in this manual. Part Numbers and Descriptions are given to help locate the parts and quantities required.
2. The Purchase Order must include the name and address of the person or organization ordering the parts, who should be charged, and if possible, the serial number of the machine for which the parts are ordered.
3. The Purchase Order must clearly list the quantity of each part, the complete and correct part number (be sure to include all periods), and the basic name of the part.
4. The Manufacturer reserves the right to substitute parts where applicable.
5. Some parts are unlisted items which are special production items not normally stocked and are subject to special handling. Request a quotation for such parts before sending a Purchase Order.
6. The Manufacturer reserves the right to change prices without prior notice.

NOTE: Please refer to The Safety Section in the front of this Manual for the proper Part Number when ordering Replacement Safety Decals.



For maximum safety and to guarantee optimum product reliability, always use genuine Servis-Rhino Parts. The use of inferior replacement parts may cause premature or catastrophic failure which could result in serious injury or death. Direct any questions regarding parts to:



ALAMO INDUSTRIAL

1502 E. Walnut
Seguin, Texas 78155
830-379-1480



PART NAME INDEX

48 IN FLAIL AXE - ROTOR W/KNIVES.....	6
48 IN FLAIL AXE - SWIVEL KIT ASY.....	7
48 IN FLAIL AXE HEAD ASY - PISTON MOTOR - STD MT (PART 1).....	9
48 IN FLAIL AXE HEAD ASY - PISTON MOTOR - STD MT (PART 2).....	11
48 IN FLAIL AXE HEAD ASY - PISTON MOTOR - SWIVEL MT (PART 1).....	13
48 IN FLAIL AXE HEAD ASY - PISTON MOTOR - SWIVEL MT (PART 2).....	15
50 IN ROTARY - BLADE BAR ASY - PN 02982906.....	17
50 IN ROTARY - DECAL LOCATION.....	18
50 IN ROTARY - PAN ASY - 02964804.....	19
50 IN ROTARY - SWIVEL HEAD ASY - PN 02984823.....	21
50 IN ROTARY - SWIVEL HEAD SUB-ASY - PN 02984823.....	23
60 IN GRASS FLAIL - CUTTERSHAFT.....	25
60 IN GRASS FLAIL - CUTTERSHAFT BRGS.....	26
60 IN GRASS FLAIL - HEAD ASY STANDARD.....	27
60 IN GRASS FLAIL - HEAD ASY SWIVEL.....	29
60 IN GRASS FLAIL - HEAD SUB-ASY.....	31
60 IN GRASS FLAIL - PULLEY ASY.....	33
60 IN GRASS FLAIL - ROLLER ASY.....	35
60 IN ROTARY - BLADE BAR ASY - PN 02969230.....	36
60 IN ROTARY - DECAL LOCATION.....	37
60 IN ROTARY - HEAD ASY - PN 02981782.....	39
60 IN ROTARY - HEAD SUB-ASY - PN 02981789.....	41
60 IN ROTARY - HYD CYL ASY - DOOR - PN 02961480A.....	43
60 IN ROTARY - HYD CYL ASY - HEAD SWIVEL - PN 02981315.....	44
60 IN ROTARY - HYD HOSE ROUTING.....	45
60 IN ROTARY - MOTOR & SPINDLE ASY.....	46
60 IN ROTARY - MOTOR ASY (PARTS) - PN 02979881 (PART 1).....	47
60 IN ROTARY - MOTOR ASY (PARTS) - PN 02979881 (PART 2).....	49
60 IN ROTARY - SPINDLE ASY - PN 02968859.....	51
BOOM ASY (24 FT BOOM GEN 1) - PN 02981777 (PART 1).....	53
BOOM ASY (24 FT BOOM GEN 1) - PN 02981777 (PART 2).....	55
BOOM ASY (30 FT BOOM GEN 1) - PN 02981778 (PART 1).....	57
BOOM ASY (30 FT BOOM GEN 1) - PN 02981778 (PART 2).....	59
BOOM ASY (24 FT BOOM GEN 2) - PN 02986684 (PART 1).....	61
BOOM ASY (24 FT BOOM GEN 2) - PN 02986684 (PART 2).....	63
BOOM ASY (30 FT BOOM GEN 2) - PN 02986683 (PART 1).....	65
BOOM ASY (30 FT BOOM GEN 2) - PN 02986683 (PART 2).....	67
BUZZ BAR ASY - 48 IN HEAD GEN 1 (PART 1).....	69
BUZZ BAR ASY - 48 IN HEAD GEN 1 (PART 2).....	71
BUZZ BAR ASY - 48 IN HEAD GEN 1 (PART 3).....	73

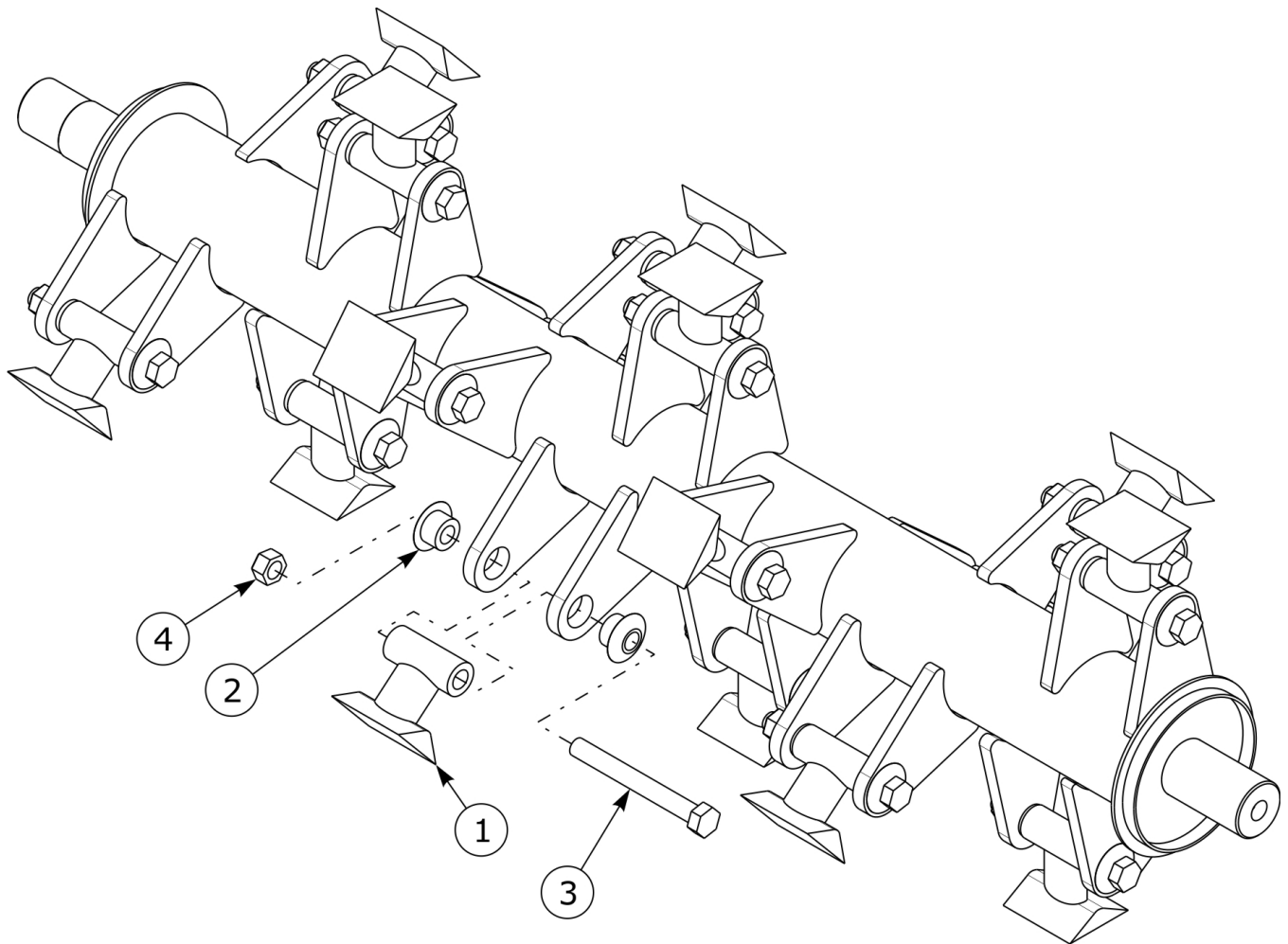
PART NAME INDEX

BUZZ BAR ASY - 48 IN HEAD GEN 2 (PART 1).....	75
BUZZ BAR ASY - 48 IN HEAD GEN 2 (PART 2).....	77
BUZZ BAR ASY - 69 IN HEAD GEN 1 (PART 1).....	79
BUZZ BAR ASY - 69 IN HEAD GEN 1 (PART 2).....	81
BUZZ BAR ASY - 69 IN HEAD GEN 1 (PART 3).....	83
BUZZ BAR ASY - 69 IN HEAD GEN 2 (PART 1).....	85
BUZZ BAR ASY - 69 IN HEAD GEN 2 (PART 2).....	87
BUZZ BAR ASY - 90 IN HEAD GEN 1 (PART 1).....	89
BUZZ BAR ASY - 90 IN HEAD GEN 1 (PART 2).....	91
BUZZ BAR ASY - 90 IN HEAD GEN 1 (PART 3).....	93
BUZZ BAR ASY - 90 IN HEAD GEN 2 (PART 1).....	95
BUZZ BAR ASY - 90 IN HEAD GEN 2 (PART 2).....	97
BUZZ BAR SPINDLE ASY - SN BB-01219.....	99
COMMON CRATE COMPONENTS.....	101
DECALS - 24 FT BOOM GEN 1.....	103
DECALS - 30 FT BOOM GEN 1.....	104
DECALS - 24 FT BOOM GEN 2.....	105
DECALS - 30 FT BOOM GEN 2.....	106
DECALS - COUNTER WEIGHT.....	107
DECALS - HYD TANK.....	108
DECALS - TRACTOR CAB.....	109
DITCHER - SPINDLE ASY.....	110
DITCHER BLADE HEAD ASY - ROUGH CUT.....	111
DITCHER HEAD ASY.....	113
DITCHER HEAD DEFLECTOR CYLINDER.....	115
DIVERTER VALVE ASY - PN 02977622.....	116
EMERGENCY STOP SWITCH - PN 02964028A.....	117
FILTER ASY - PRESSURE - PN 02981371.....	118
FILTER ASY - PRESSURE - PN 02985279.....	119
FILTER ASY - RETURN - PN 02981391.....	120
FILTER ASY - RETURN - PN 02985828.....	121
HYD ASY KIT - PN 02981803.....	123
HYD CYL ASY - DIPPER (24-30 FT BOOM) - PN 02981277.....	125
HYD CYL ASY - EXTENSION (24-30 FT BOOM) - PN 02981276.....	126
HYD CYL ASY - LIFT (24 FT BOOM) - PN 02981279.....	127
HYD CYL ASY - LIFT (30 FT BOOM) - PN 02981278.....	128
HYD CYL ASY - SWING W/ SPHERICAL ROD END (24/30 FT) - PN 02981275A.....	129
HYD CYL ASY - SWING W/ TUBE ROD END (24/30 FT) - PN 02981275.....	130
HYD CYL ASY - TILT (24-30 FT BOOM) - PN 02981280.....	131

PART NAME INDEX

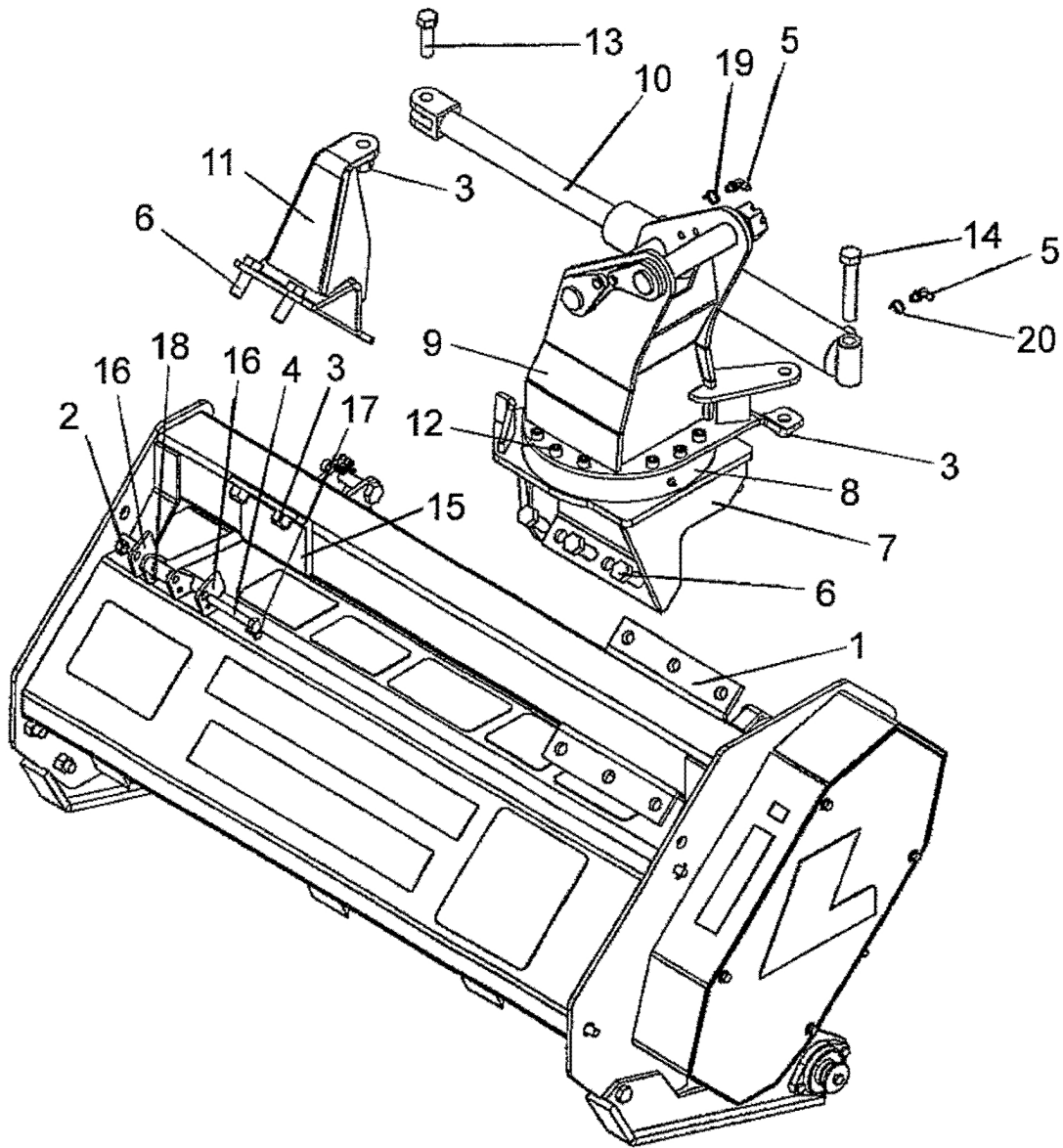
HYD HOSE ROUTING - BOOM - 24 FT BOOM.....	133
HYD HOSE ROUTING - BOOM - 24 FT BOOM NEW.....	135
HYD HOSE ROUTING - BOOM - 24 FT BOOM NEW HOSE ROUTING.....	137
HYD HOSE ROUTING - BOOM - 30 FT BOOM.....	139
HYD HOSE ROUTING - BOOM - 30 FT BOOM NEW.....	141
HYD HOSE ROUTING - BOOM - 30 FT BOOM NEW HOSE ROUTING.....	143
HYD HOSE ROUTING - SWING CYL - 24-30 FT BOOM.....	145
HYD KIT - HOSE ROUTING.....	146
HYD LOCK VALVE SOLENOID ASY - PN 02972208 (OLD STYLE).....	147
HYD LOCK VALVE SOLENOID ASY - PN 02972208A (NEW STYLE).....	148
HYD OIL COOLER - PN 02981377.....	149
HYD TANK ASY - PN 02981388.....	151
JOYSTICK ASY - P/N 02981374.....	153
PUMP ASY (SERVO CONTROLLED) - PN 02978986 (PART 1).....	155
PUMP ASY (SERVO CONTROLLED) - PN 02978986 (PART 2).....	157
PUMP-TANK-VALVE COVER - PN 02981381.....	159
UNDER MOUNT FRAME ASY - PN 02986426 (PART 1).....	161
UNDER MOUNT FRAME ASY - PN 02986426 (PART 2).....	163
VALVE ASY W-FITTINGS - PN 02981888.....	165
WIRING HARNESS.....	167

48 IN FLAIL AXE - ROTOR W/KNIVES



ITEM	PART NO.	QTY.	DESCRIPTION
	02957655M	1	ROTOR W/KNIVES ASY
1	02958540	1	KIT - BLADE, FLAIL AXE
2	02956943	32	FLAIL HANGER BUSHING
3	02956949	16	HHCS HANGER BOLT PER DWG
4	02980976	16	LOCKNUT,CENTERLOCK 5/8 NC PLC

48 IN FLAIL AXE - SWIVEL KIT ASY

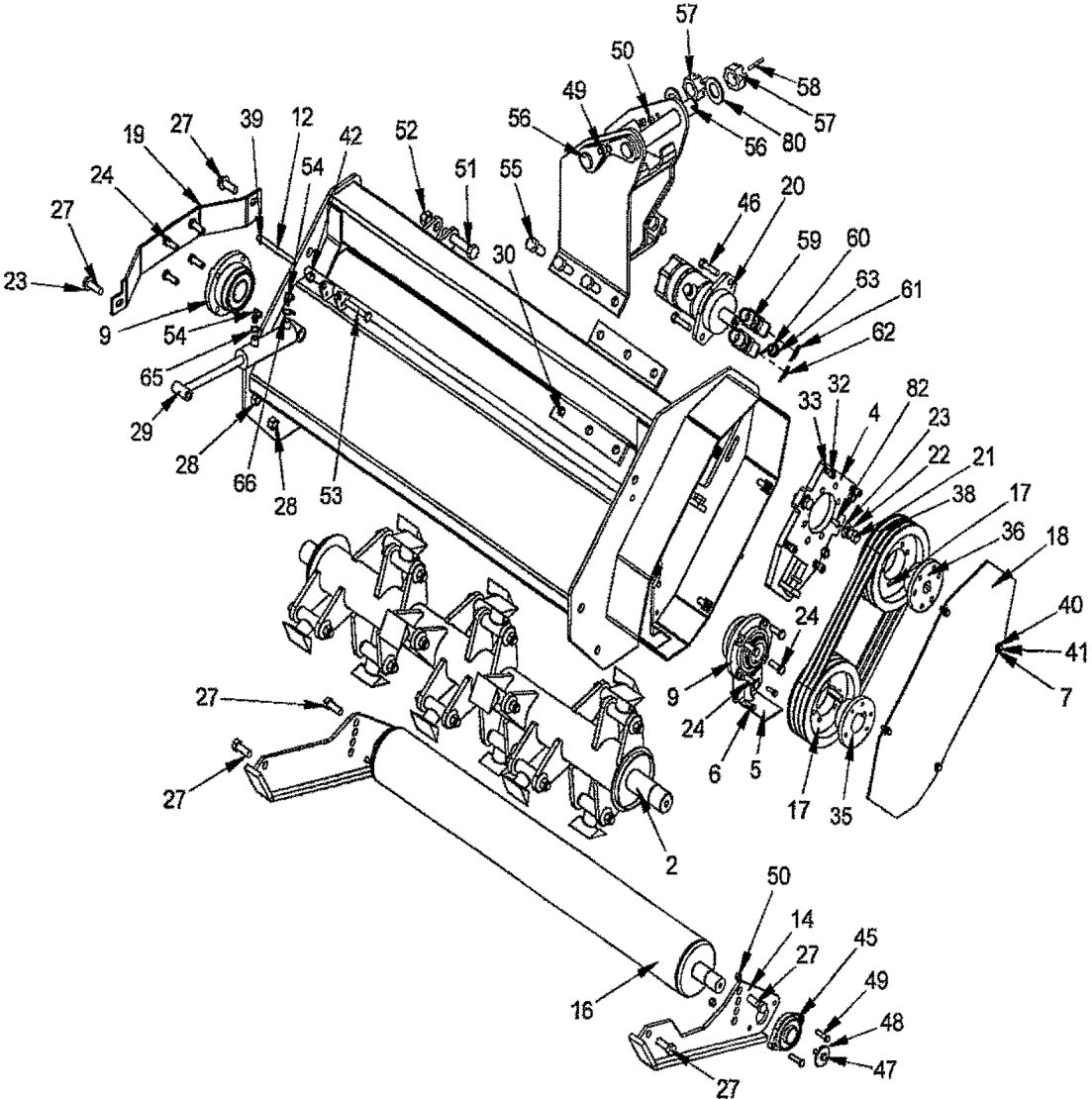


48 IN FLAIL AXE - SWIVEL KIT ASY

Continued...

ITEM	PART NO.	QTY.	DESCRIPTION
	02984479	1	48" FLAIL AXE SWIVEL KIT ASY
1	02970324	1	HITCH POST CLAMP PLATE
2	00001800	1	LOCKNUT, 1/2" NC PLB
3	00037200	12	LOCKNUT, 3/4"-NC GRC PL
4	00008200	1	HEX HEAD BOLT, 1/2"-NC X 3-3/4" PL5
5	02960018	2	ADAPTER HYD ELBOW, 4MB-4MJ90
6	02918600	10	HEX HEAD BOLT, 3/4"-10"UNC 2 PL8
7	02984370	1	HITCH POST SWIVEL ADAPTER
8	02981318	1	SLEW BEARING, 12 OD X 5.8 ID
9	02981741	1	HITCH POST SWIVEL WLD'MT
10	02981315	1	CYLINDER, 2.5"B X 1.5"R X 14.38S
11	02984374	1	CYLINDER MOUNT WLD'MT
12	02981820	28	SOCKET HEAD CAP SCREW, 1/2" NC 1-1/2" PL8
13	02963646	1	HEX HEAD BOLT, 3/4" NC 2-1/2" PL8
14	00754105	1	HEX HEAD BOLT, 3/4" NC 4-1/2" PL8
15	02984382	1	SWIVEL CLAMP PLATE
16	02984470	2	FLAIL AXE DOOR STOP
17	00021400	2	HEX HEAD BOLT, 1/4" NC 3/4" PL5
18	02959924	2	LOCKNUT, 1/4" NC PLB
19	02968832	1	PLASTIC TIE, GREEN
20	02968833	1	PLASTIC TIE, GREEN & WHITE

48 IN FLAIL AXE HEAD ASY - PISTON MOTOR - STD MT (PART 1)

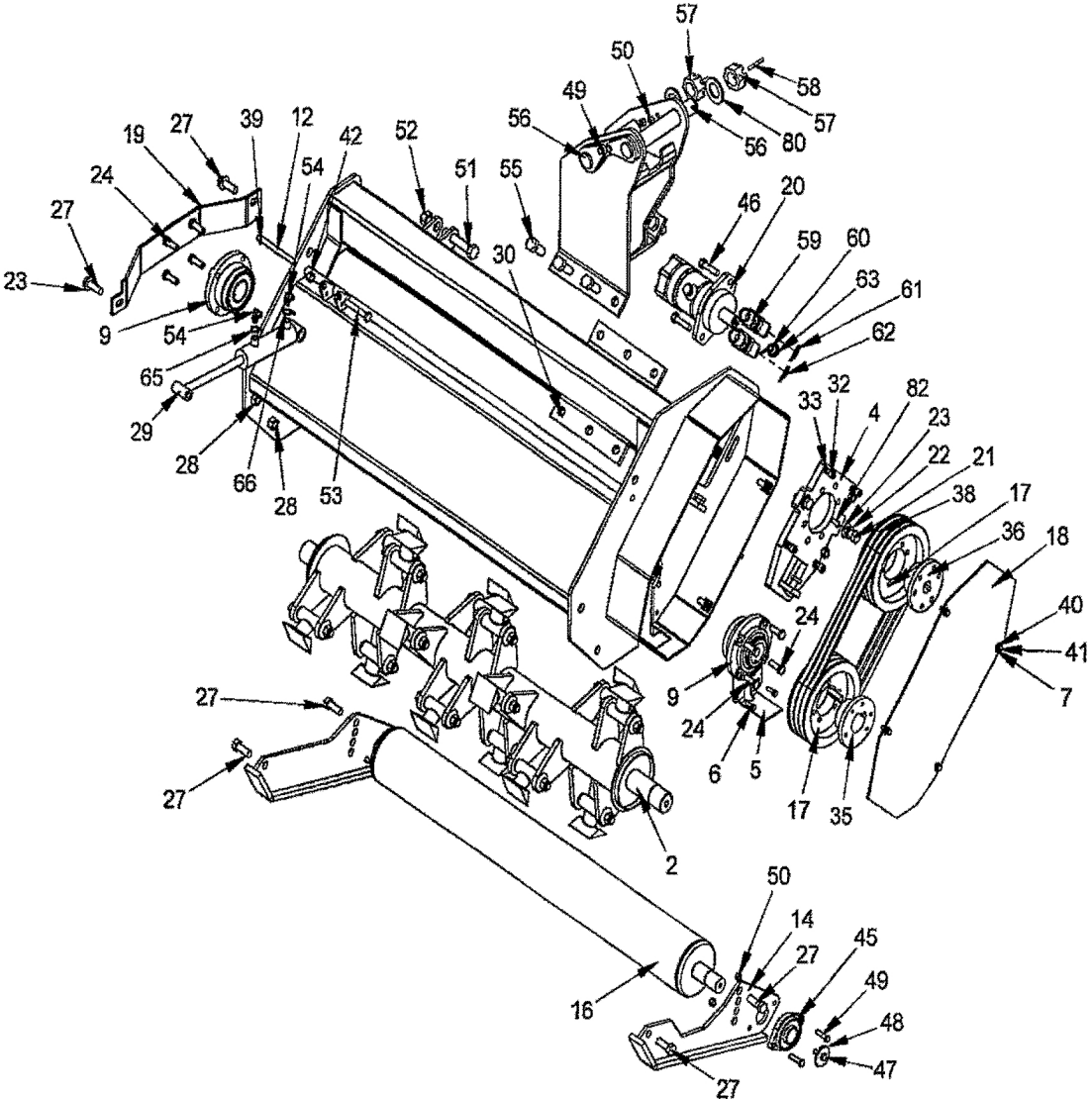


48 IN FLAIL AXE HEAD ASY - PISTON MOTOR - STD MT (PART 1)

Continued...

ITEM	PART NO.	QTY.	DESCRIPTION
	02983554	1	48" FLAIL AXE ASY, PISTON MOTOR, STD MT
1	02970301	1	FLAIL AXE HEAD WLD'MT
2	02957655M	1	ROTOR W/ KNIVES, FLAIL AXE
3	02970465	1	DOOR WLD'MT, FLAIL AXE
4	02973256	1	MOTOR MOUNT WLD'MT, W/O STUDS
5	02970709	1	INSIDE COVER PLATE
6	10119000	2	HEX HEAD BOLT, 5/16" X 1" NC GR5
7	00023500	6	FLATWASHER, 5/16" PL
8	00750940	2	LOCKNUT, 5/16" NC PLB
9	02958131A	2	FLANGE BEARING ASY, 2" BORE
10	02956714	1	BAR CLAMP
11	02956712	1	RUBBER FLAP, 6" X 48-1/2"
12	02970326	1	F/A DOOR HINGE
13	02958198	1	KEY, 1/2" X 1/2" X 1 7/8"LG
14	02970585	1	SKID SHOE WLD'MT
15	02956748	1	SKID SHOE WLD'MT
16	02970540	1	ROLLER WLD'MT
17	02967325	2	PULLEY, 3G5V-8.50 DIA.
18	02970325	1	BELT & PULLEY COVER PLATE
19	02972442	1	BEARING GUARD
20	02970763	1	PISTON MOTOR, 2.48 CU.IN./REV
21	02675800	2	HEX HEAD BOLT, 5/8"-11UNC 1-1/2" PL5
22	00010300	2	LOCKWASHER, 5/8"
23	00001400	4	FLATWASHER, 5/8" PL STD
24	00019300	8	HEX HEAD BOLT, 1/2" NC 1-1/2" PL5
25	000642	8	CENTERLOCK NUT, 1/2"NF
26	00752670	1	GREASE FITTING, 1/4"-28 BOLT THD
27	00008300	6	HEX HEAD BOLT, 5/8" NC 1-3/4" PL5
28	00695100	5	LOCKNUT, 5/8"NC PLB
29	02970710A	1	HYD CYLINDER, 1-1/2"BORE X 3-3/4"
30	02970324	1	HITCH POST CLAMP PLATE
31	000941	1	GREASE FITTING,1/4"-28X90
32	02970583	4	SOCKET HEAD SET SCREW, 3/8"-NF X 1-1/2" PL5
33	23504500	8	JAM NUT, 3/8" NF PLB
34	03200925	1	CARRIAGE BOLT, 5/8"-11UNC 3"LG PL5
35	02967328	1	QD - HUB BUSHING, SF 1-15/16" DIA.
36	02970725	1	QD - HUB, SF 1-1/8"DIA.BORE
37	00013500	3	HEX JAM NUT, 5/8" NC PL
38	02970539	3	V-BELT
39	02956768	2	ROLL PIN, 5/32" X 1"
40	00011700	4	LOCKWASHER, 5/16" PL STD

48 IN FLAIL AXE HEAD ASY - PISTON MOTOR - STD MT (PART 2)

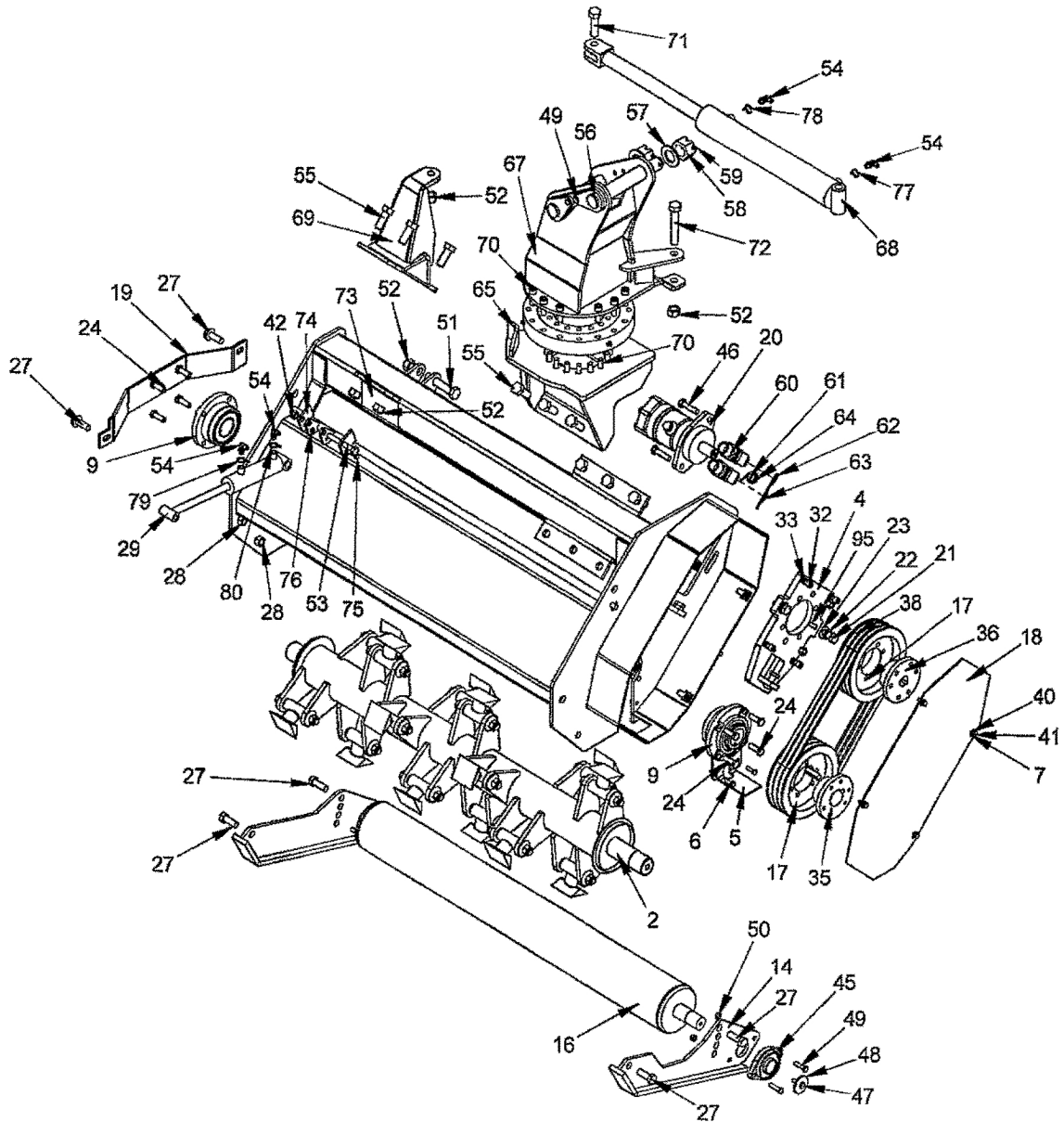


48 IN FLAIL AXE HEAD ASY - PISTON MOTOR - STD MT (PART 2)

Continued...

ITEM	PART NO.	QTY.	DESCRIPTION
41	00035900	4	BOLT, HEX HD 5/16-NC X 3/4 GR5
42	00001800	10	LOCKNUT TLM 1/2 NC PLB
43	00002700	7	FLATWASHER 1/2 PL STD
44	02892000	7	HHCS, 1/2"-13 NC x 1-1/2" PL8
45	02957041	2	ROLLER BEARING AND FLANGE
46	00013300	2	HEXB 1/2 NC 2 PL5
47	00753642	2	HEXB 3/8 NC X 1-1/4 PL5
48	02970586	2	WASHER,2OD,7/16 ID X 3/16
49	00023100	6	HHCS 3/8 -16UNC 1-1/2 PL5
50	00015800	6	LOCKNUT TLM 3/8-NC PLC
51	00003300	1	HEXB 3/4 NC 4 PL5
52	00037200	7	NUT 3/4-NC TOPLOCK GRC PL
53	00605600	1	HHCS 1/2 NC 3-1/4 PL
54	02960018	2	ADP HYD ELBOW 4MB-4MJ90
55	02918600	6	HEXB 3/4-10UNC 2 PL8
56	02981757	2	WELDMENT, PIN, HITCH POST
57	02971701	2	NUT SLOT 1-3/8 12NF PLB
58	165020	2	PIN, COTTER 5/16 X 2-1/2 PL
59	02043600	2	ADP HYD ELBOW 16MB -16MJ 45
60	00696800	1	ADP HYD STGHT 8MB-8MJ
61	02968896	1	PLASTIC TIE ORANGE 11LG
62	02968894	1	PLASTIC TIE RED 11LG
63	02968895	1	PLASTIC TIE BLUE 11LG
64	02983575	1	WELDMENT, HITCH POST
65	02968836	1	PLASTIC TIE YEL 4LG
66	02968837	1	PLASTIC TIE Y/W 4LG
80	02971702	2	FLATWASHER 1-3/8 TYPE B NARROW
82	03200521	1	STEP KEY 1/4 X 5/16

48 IN FLAIL AXE HEAD ASY - PISTON MOTOR - SWIVEL MT (PART 1)

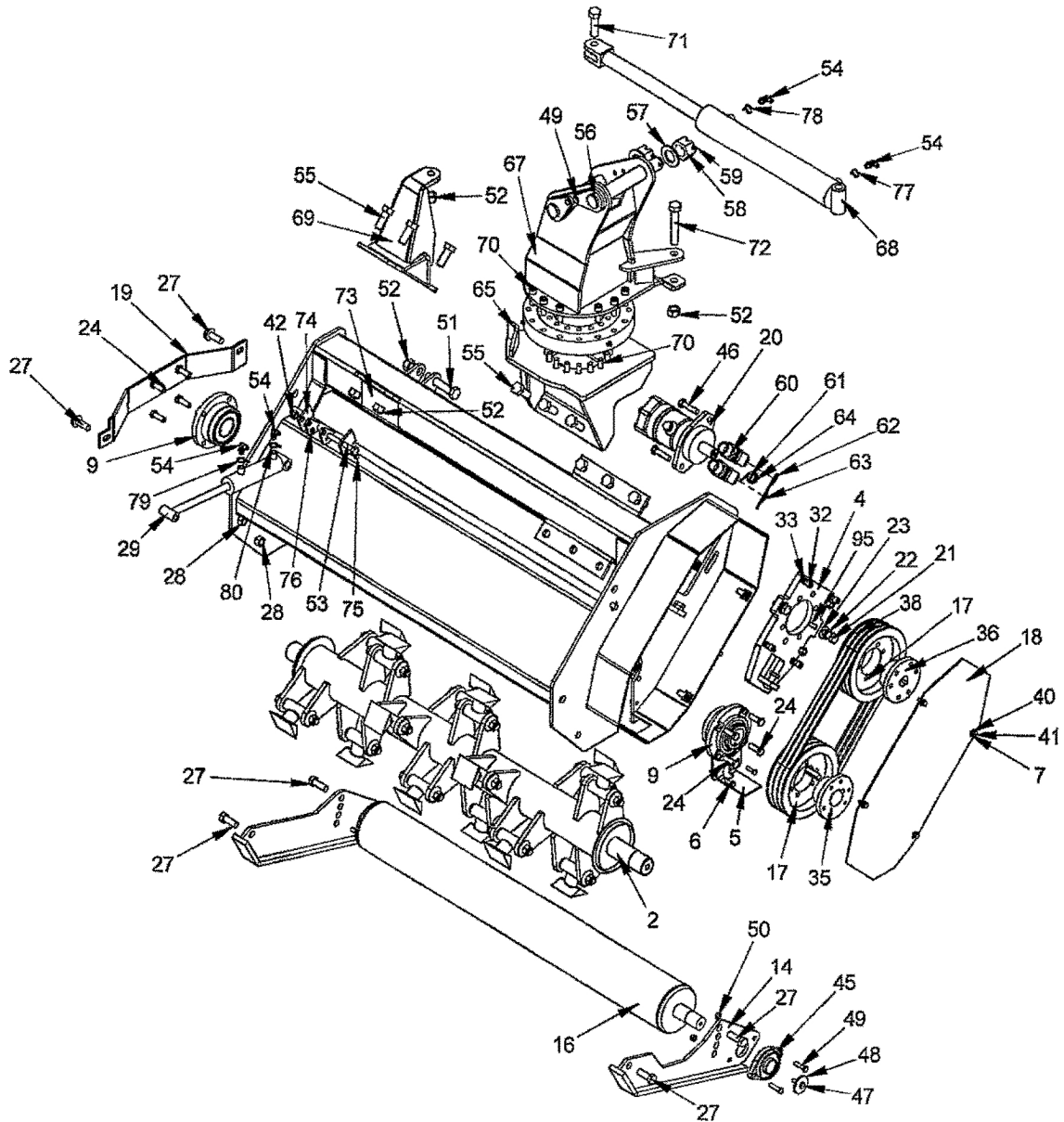


48 IN FLAIL AXE HEAD ASY - PISTON MOTOR - SWIVEL MT (PART 1)

Continued...

ITEM	PART NO.	QTY.	DESCRIPTION
	02984371	1	48" FLAIL AXE ASY, PISTON MOTOR, SWIVEL MT
1	02970301	1	FLAIL AXE HEAD WLD'MT
2	02957655M	1	ROTOR W/ KNIVES, FLAIL AXE
3	02970465	1	DOOR WLD'MT, FLAIL AXE
4	02973256	1	MOTOR MOUNT WLD'MT, W/O STUDS
5	02970709	1	INSIDE COVER PLATE
6	10119000	2	HEX HEAD BOLT, 5/16" X 1" NC GR5
7	00023500	6	FLATWASHER, 5/16" PL
8	00750940	2	LOCKNUT, 5/16" NC PLB
9	02958131A	2	FLANGE BEARING ASY, 2" BORE
10	02956714	1	BAR CLAMP
11	02956712	1	RUBBER FLAP, 6" X 48-1/2"
12	02970326	1	F/A DOOR HINGE
13	02958198	1	KEY, 1/2" X 1/2" X 1 7/8"LG
14	02970585	1	SKID SHOE WLD'MT
15	02956748	1	SKID SHOE WLD'MT
16	02970540	1	ROLLER WLD'MT
17	02967325	2	PULLEY, 3G5V-8.50 DIA.
18	02970325	1	BELT & PULLEY COVER PLATE
19	02972442	1	BEARING GUARD
20	02970763	1	PISTON MOTOR, 2.48 CU.IN./REV
21	02675800	2	HEX HEAD BOLT, 5/8"-11UNC 1-1/2" PL5
22	00010300	2	LOCKWASHER, 5/8"
23	00001400	4	FLATWASHER, 5/8" PL STD
24	00019300	8	HEX HEAD BOLT, 1/2" NC 1-1/2" PL5
25	000642	8	CENTERLOCK NUT, 1/2"NF
26	00752670	1	GREASE FITTING, 1/4"-28 BOLT THD
27	00008300	6	HEX HEAD BOLT, 5/8" NC 1-3/4" PL5
28	00695100	5	LOCKNUT, 5/8"NC PLB
29	02970710A	1	HYD CYLINDER, 1-1/2"BORE X 3-3/4"
30	02970324	1	HITCH POST CLAMP PLATE
31	000941	1	GREASE FITTING,1/4"-28X90
32	02970583	4	SOCKET HEAD SET SCREW, 3/8"-NF X 1-1/2" PL5
33	23504500	8	JAM NUT, 3/8" NF PLB
34	03200925	1	CARRIAGE BOLT, 5/8"-11UNC 3"LG PL5
35	02967328	1	QD - HUB BUSHING, SF 1-15/16" DIA.
36	02970725	1	QD - HUB, SF 1-1/8"DIA.BORE
37	00013500	3	HEX JAM NUT, 5/8" NC PL
38	02970539	3	V-BELT
39	02956768	2	ROLL PIN, 5/32" X 1"
40	00011700	4	LOCKWASHER, 5/16" PL STD

48 IN FLAIL AXE HEAD ASY - PISTON MOTOR - SWIVEL MT (PART 2)

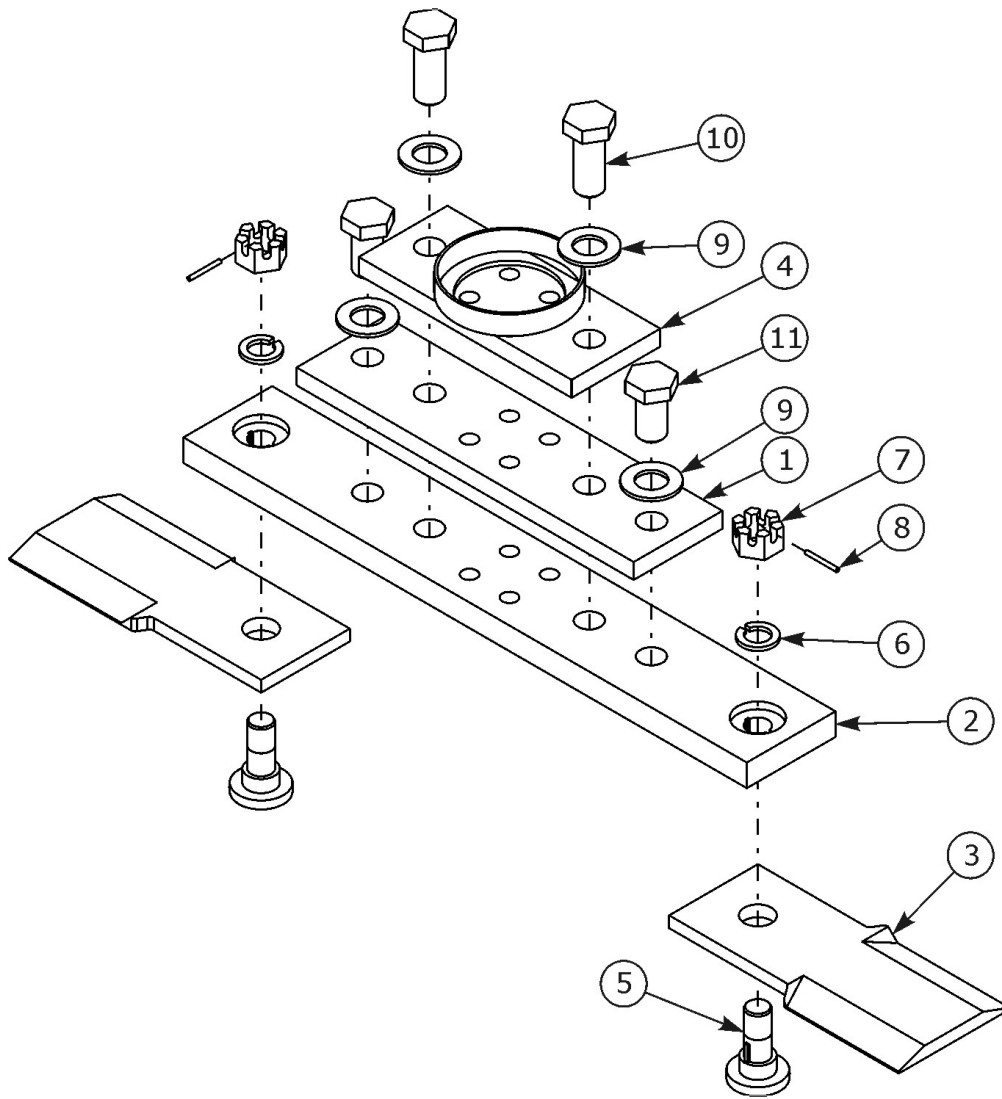


48 IN FLAIL AXE HEAD ASY - PISTON MOTOR - SWIVEL MT (PART 2)

Continued...

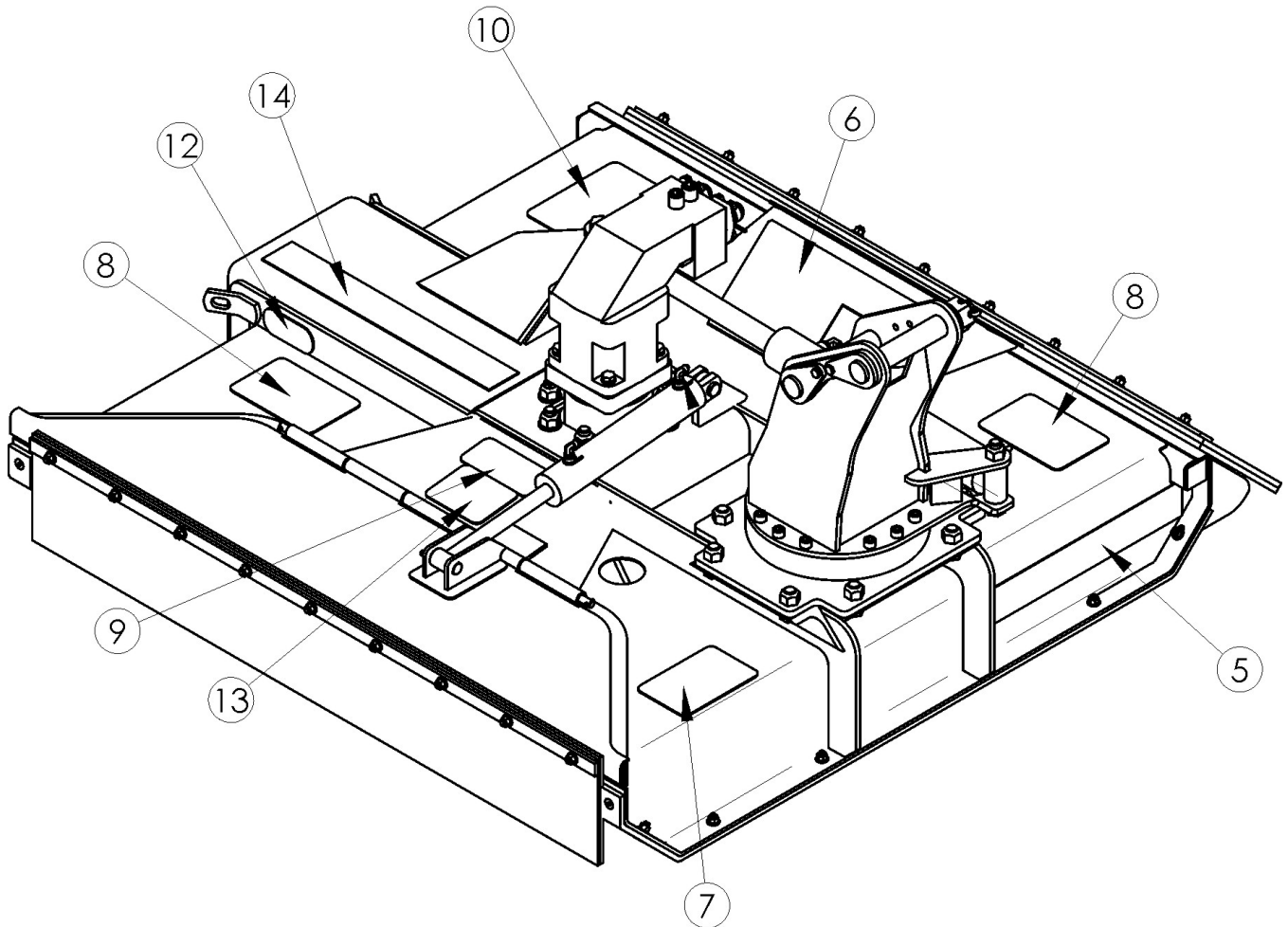
ITEM	PART NO.	QTY.	DESCRIPTION
41	00035900	4	BOLT, HEX HD 5/16-NC X 3/4 GR5
42	00001800	10	LOCKNUT TLM 1/2 NC PLB
43	00002700	7	FLATWASHER 1/2 PL STD
44	02892000	7	HHCS, 1/2"-13 NC x 1-1/2" PL8
45	02957041	2	ROLLER BEARING AND FLANGE
46	00013300	2	HEXB 1/2 NC 2 PL5
47	00753642	2	HEXB 3/8 NC X 1-1/4 PL5
48	02970586	2	WASHER,2OD,7/16 ID X 3/16
49	00023100	6	HHCS 3/8 -16UNC 1-1/2 PL5
50	00015800	6	LOCKNUT TLM 3/8-NC PLC
51	00003300	1	HEXB 3/4 NC 4 PL5
52	00037200	13	NUT 3/4-NC TOPLOCK GRC PL
53	00008200	1	HEXB 1/2NC X 3-3/4 PL5
54	02960018	4	ADP HYD ELBOW 4MB-4MJ90
55	02918600	10	HEXB 3/4-10UNC 2 PL8
56	02981757	2	WELDMENT, PIN, HITCH POST
57	02971702	2	FLATWASHER 1-3/8 TYPE B NARROW
58	02971701	2	NUT SLOT 1-3/8 12NF PLB
59	165020	2	PIN, COTTER 5/16 X 2-1/2 PL
60	02043600	2	ADP HYD ELBOW 16MB -16MJ 45
61	00696800	1	ADP HYD STGHT 8MB-8MJ
62	02968896	1	PLASTIC TIE ORANGE 11LG
63	02968894	1	PLASTIC TIE RED 11LG
64	02968895	1	PLASTIC TIE BLUE 11LG
65	02984370	1	ADP, SWIVEL, HITCHPOST
66	02981318	1	SLEW BEARING, 12 OD X 5.8 ID
67	02981741	1	WELDMENT, HITCH POST, SWIVEL
68	02981315	1	CYLINDER, 2.5B X 1.5R X 14.38S
69	02984374	1	WLDMNT, MOUNT, CYLINDER
70	02981820	28	SHCS 1/2 NC 1-1/2 PL8
71	02963646	1	HHCS 3/4 NC 2-1/2 PL8
72	00754105	1	HHCS 3/4 NC 4-1/2 PL8
73	02984382	1	CLAMP, PLATE, SWIVEL
74	02984470	2	STOP, DOOR, FLAIL AXE
75	00021400	2	HEXB 1/4 NC 3/4 PL5
76	02959924	2	NUT TOPLOCK 1/4 NC PLB
77	02968832	1	PLASTIC TIE GRN 4"
78	02968833	1	PLASTIC TIE G/W 4LG
79	02968836	1	PLASTIC TIE YEL 4LG
80	02968837	1	PLASTIC TIE Y/W 4LG
95	03200521	1	STEP KEY 1/4 X 5/16

50 IN ROTARY - BLADE BAR ASY - PN 02982906



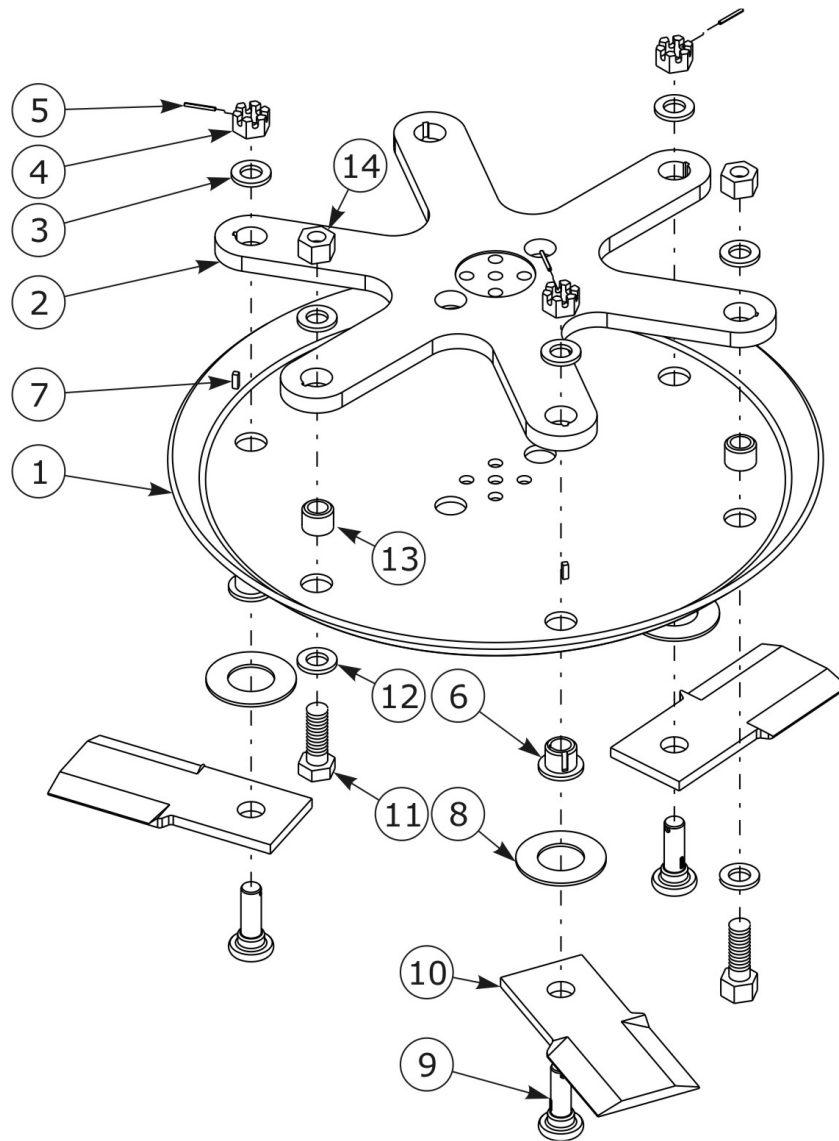
ITEM	PART NO.	QTY.	DESCRIPTION
1	02982912	1	LEAF, MIDDLE, BLADE BAR
2	02982913	1	LEAF, BOTTOM, BLADE BAR
3	02962635	2	BLADE, CW ROTATION
4	02982934	1	WLDMT. TOP BLADE BAR
5	02782900	2	BOLT, BLADE
6	02957089	2	LOCKWASHER 1-1/8 PL STD
7	00020900	2	NUT, SLOTTED, HVY, 1-1/8NF PL GR5
8	00023200	2	PIN, ROLL, 3/16X1-3/4
9	15C2000	4	WASHER, 1.375 X 2.50 X .165, HARDENED
10	02969235	2	HHCS, 1-1/4X3 PL GR8
11	02969236	2	HHCS, 1-1/4X2-1/4 PL GR8

50 IN ROTARY - DECAL LOCATION



ITEM	PART NO.	QTY.	DESCRIPTION
1	00011100	32	FLATWASHER 3/8 STD
2	00023100	8	HHCS 3/8 X 1-1/2 NC PL GR5
3	00015800	16	LOCKNUT TLM 3/8 NC PLC
4	00007000	8	HHCS 3/8 NC 1-3/4 PL5
5	00757139	2	DECAL, LOGO (ALAMO BY T.K.)
6	00757140	1	DECAL, ALAMO INDUSTRIAL LOGO
7	00769736	1	DECAL, USE/REPAIR GUARDS
8	00769737	2	DECAL, BLADES THROWN OBJECTS
9	02925100	1	DECAL, REPLACEMENT PARTS
10	02967827	1	DECAL, MULTI HAZARD
11	2738332	1	DECAL, RED OBLONG REFLECTOR
12	2738333	1	DECAL, YELLOW OBLONG REFLECTOR
13	02967867	1	DECAL, DANGER SAFETY SHIELD
14	02982927	1	DECAL, 50 ROTARY

50 IN ROTARY - PAN ASY - 02964804



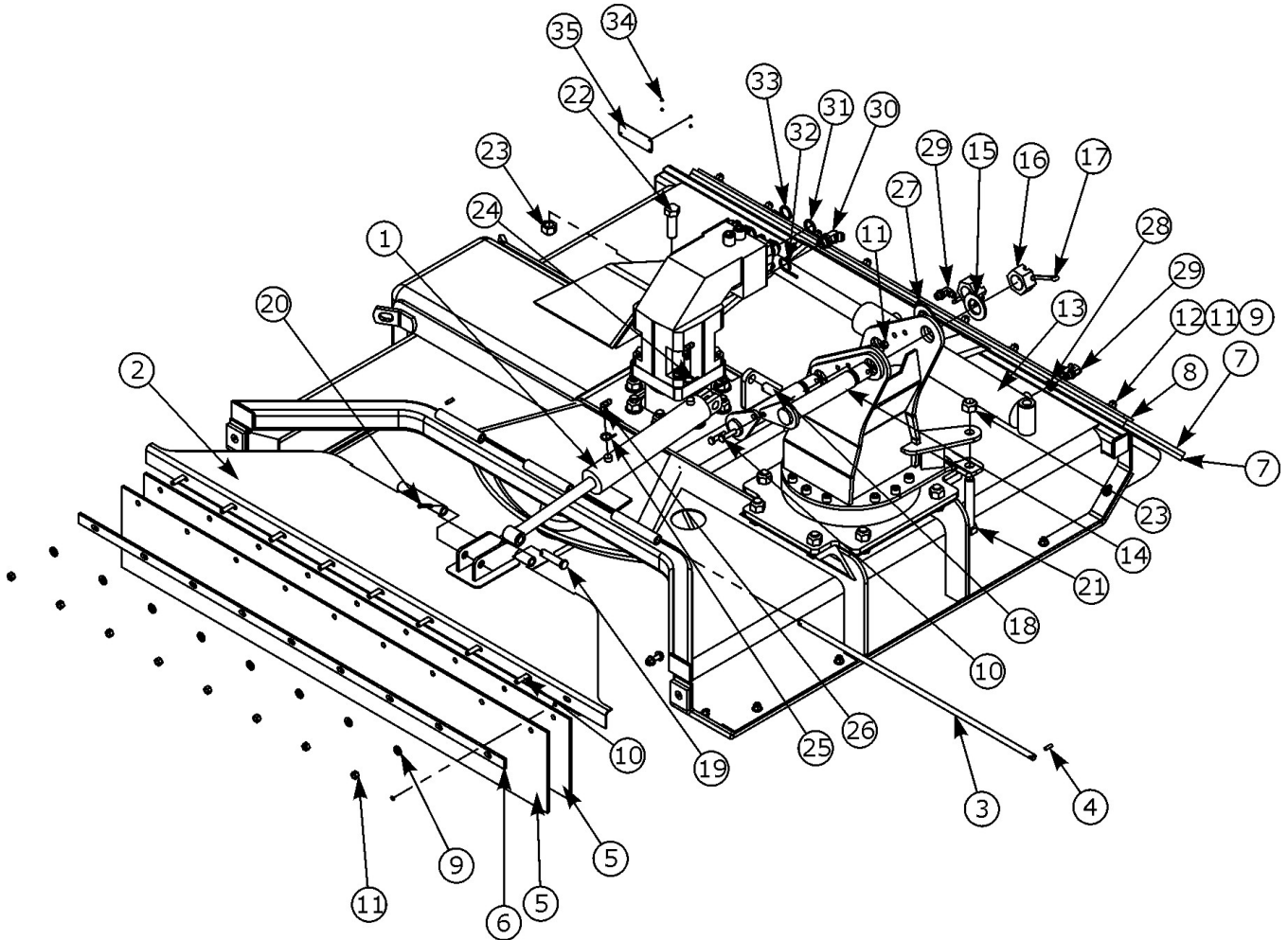
ITEM	PART NO.	QTY.	DESCRIPTION
1	02964826	1	PAN,MACHINED 28.00 BC
2	02964828	1	SPIDER, MACHINED 28.00 BC
3	00755623	3	WASHER 2.200 OD1.218 1DX.250
4	00020900	3	NUT SLOT HVY 1-1/8 NF PL5
5	00023200	3	PIN ROLL 3/16X1-3/4
6	02964815	4	BUSHING, BLADE BOLT
7	02964954	3	KEY,5/16 SQ X 15/16 LONG
8	02965229	3	WASHER, 2-19/32 ID 5.0 OD 3/16
9	02964330	3	KEYED BLADE BOLT
10	02962722	1	BLADES-SET OF 3(50B/A HEAD)
11	7A16824	3	HHCS 1 NC 3 PL5
12	00748547	6	FLATWASHER 1-1/32 X

50 IN ROTARY - PAN ASY - 02964804

Continued...

ITEM	PART NO.	QTY.	DESCRIPTION
13	02964162	3	SPACER BLADE PAN WITH SPIDER
14	02030300	3	NUT TOPLOCK 1 NC PLB

50 IN ROTARY - SWIVEL HEAD ASY - PN 02984823



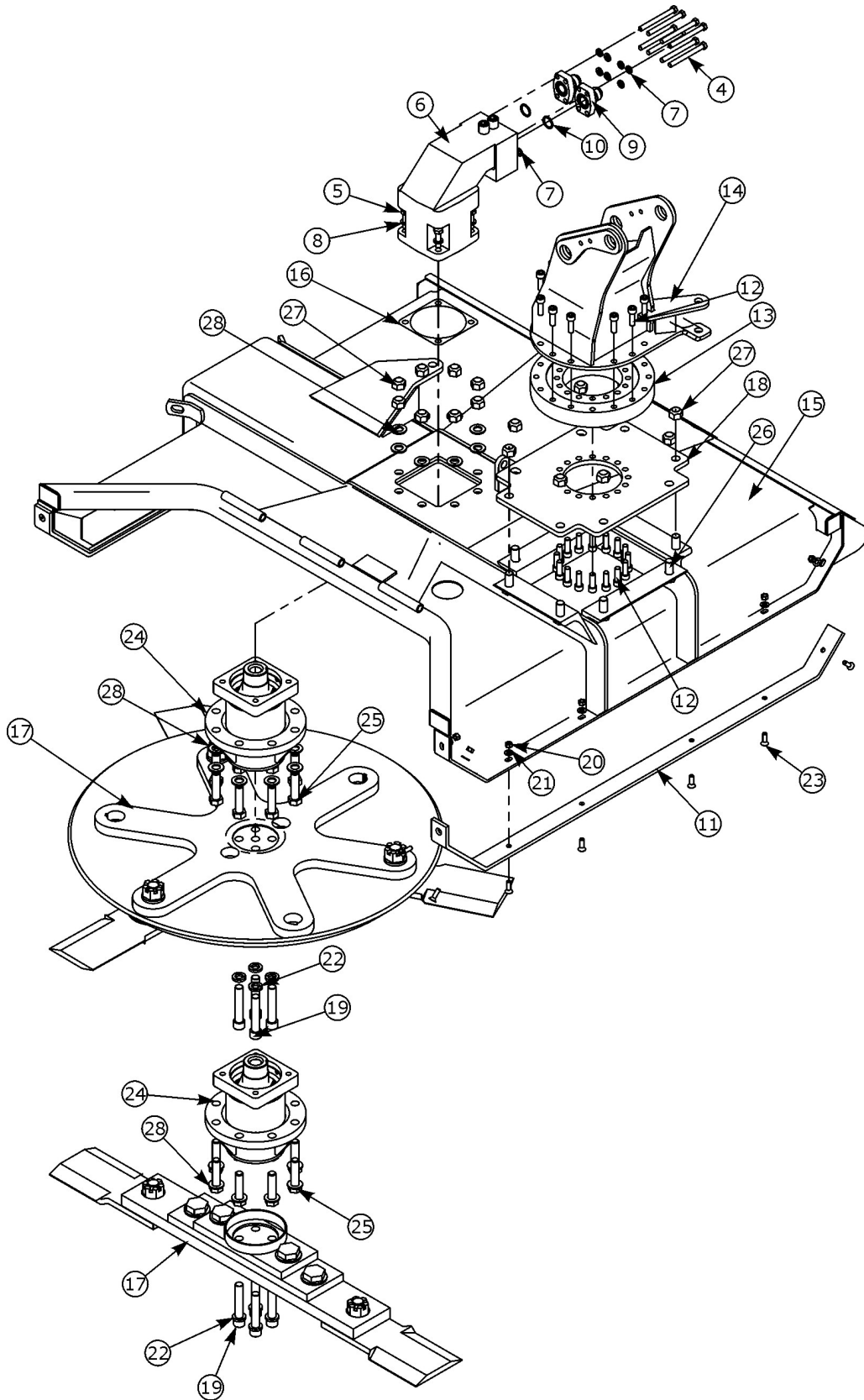
ITEM	PART NO.	QTY.	DESCRIPTION
1	02961480A	1	HYD, CYLINDER 2B X 1R X 9-1/4S
2	02982914	1	WELDMENT, DOOR
3	02982915	1	ROD-HINGE
4	99338S	2	PIN ROLL 1/4 X 3/4
5	02982919	2	DEBRIS DEFLECTOR
6	02982918	1	FLAP HOLD DOWN BAR
7	02982920	2	REAR FLAP 10 X 53 X 3/8 THK
8	02982921	1	REAR CLAMP BAR
9	00011100	36	FLATWASHER 3/8 STD
10	00023100	11	HHCS 3/8 X 1-1/2 NC PL GR5
11	00015800	34	LOCKNUT TLM 3/8 NC PLC
12	00007000	9	HHCS 3/8 NC 1-3/4 PL5
13	02981315	1	CYLINDER, 2.5B X 1.5R X 14.38S
14	02981757	2	WELDMENT, PIN, HITCH POST
15	02971702	2	FLATWASHER, 1-3/8 TYPE B PL NARROW
16	02971701	2	NUT, SLOTTED 1-3/8 12NF PLB

50 IN ROTARY - SWIVEL HEAD ASY - PN 02984823

Continued...

ITEM	PART NO.	QTY.	DESCRIPTION
17	165020	2	PIN, COTTER 5/16 X 2-1/2 PL
18	651102	1	PIN-DRILLED
19	02976448	1	PIN - MACHINED HEAD
20	00755153	2	PIN, COTTER 3/16 X 1-1/2 PL
21	03200267	1	HHCS 3/4 NC 5 PL8
22	02963646	1	HHCS 3/4 NC 2-1/2 PL8
23	00037200	18	LOCKNUT TLM 3/4 NC PLC
24	02968837	1	PLASTIC TIE, YELLOW & WHITE
25	02968836	1	PLASTIC TIE, YELLOW
26	02960018	2	ADP, HYD, ELBOW, 4MB-4MJ90
27	02968832	1	PLASTIC TIE, GREEN
28	02968833	1	PLASTIC TIE, GREEN & WHITE
29	03200762	2	ADP, HYD 6MB-4MJ 90
30	02972817	1	ADP HYD ELBOW 10MB - 8MJ 45 DEG
31	02968894	1	PLASTIC TIE, RED, 11LG
32	02968895	1	PLASTIC TIE, BLUE, 11LG
33	02968896	1	PLASTIC TIE, ORANGE, 11LG
34	3710151	4	METAL TACK
35	02982926	1	PLATE, S/N 50" MAVERICK ROTARY HEAD

50 IN ROTARY - SWIVEL HEAD SUB-ASY - PN 02984823

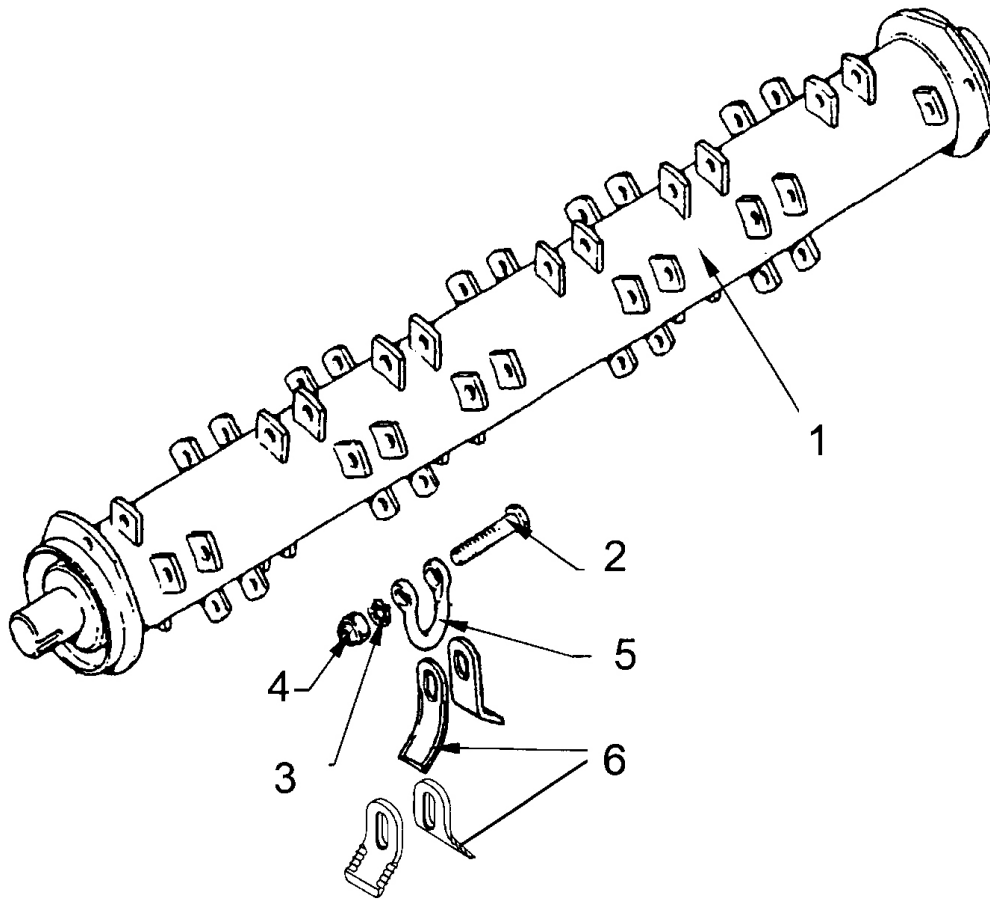


50 IN ROTARY - SWIVEL HEAD SUB-ASY - PN 02984823

Continued...

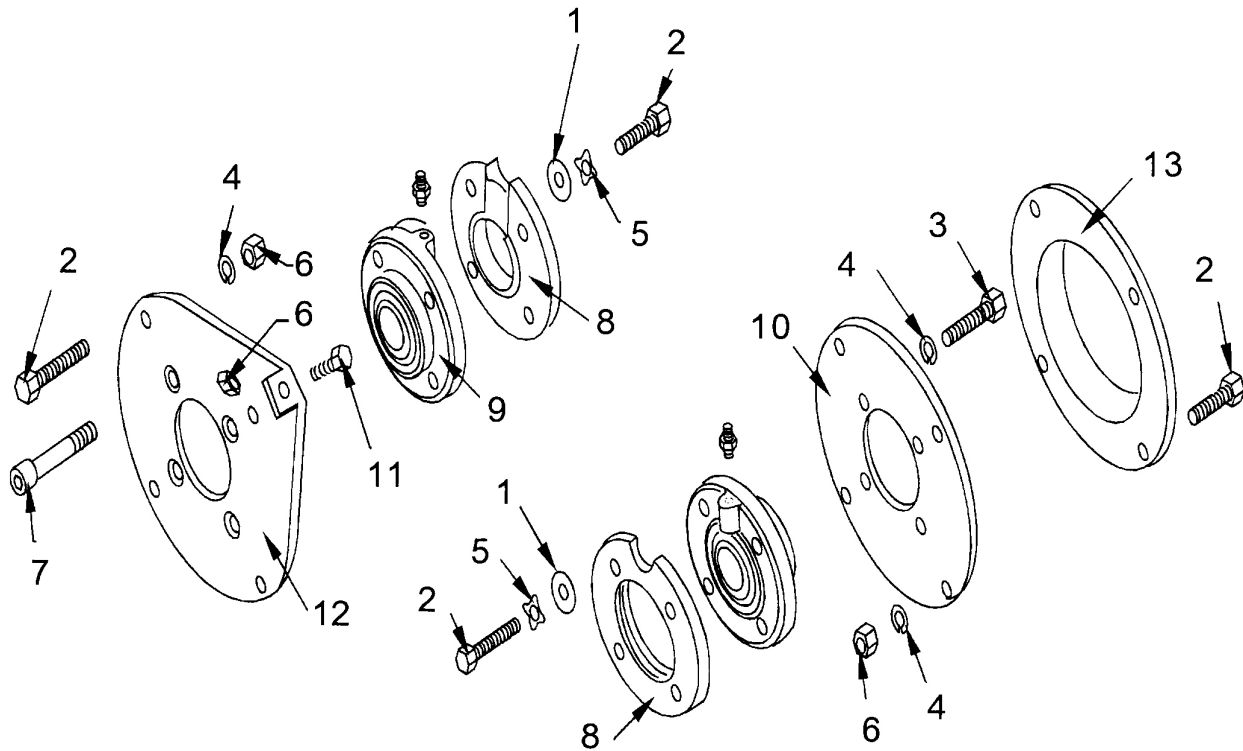
ITEM	PART NO.	QTY.	DESCRIPTION
1	00011100	32	FLATWASHER 3/8 STD
2	00023100	8	HHCS 3/8 X 1-1/2 NC PL GR5
3	00007000	8	HHCS 3/8 NC 1-3/4 PL5
4	02980236	8	HHCS 7/16 NC X 4 1/2" LG PL5
5	02891800	4	HHCS 1/2 NC 1-3/4 PL8
6	02979881	1	MOTOR PISTON 4.91 CID
7	00022200	8	LOCKWASHER 7/16 PL
8	00019600	4	LOCKWASHER 1/2 HEAVY
9	02981819	2	ADP HYD STGHT 16FLH-16MJ SPCL
10	02980237	2	O-RING .139 DIA X 1.296 INSIDE
11	02982907	2	SKID SHOE
12	02981820	28	SHCS 1/2 NC X 1 1/2" LG PL8
13	02981318	1	SLEWING BEARING, 12 OD X 5.8 ID
14	02981741	1	WELDMENT, HITCH POST, MAVERICK
15	02981411	1	WELDMENT, DECK 50" HEAD
16	02961038	1	GASKET
17	02964804	1	PAN ASSY 50" HEAD
	02982906	1	BLADE BAR ASSY 50"
18	02981752	1	PLATE, HITCH POST BOTTOM, MAVERICK
19	02964861	4	SHCS 3/4 NC 4" LG PL8
20	00015800	14	LOCKNUT TLM 3/8 NC PLC
21	15B600	14	WASHER 3/8 SAE P
22	00003901	4	LOCKWASHER 3/4 HEAVY
23	00059700	14	FSCS 3/8 NC X 1-1/4
24	02968859	1	ASSEMBLY, SPINDLE HOUSING-SPLINED
25	03200269	1	HHCS 3/4 NC 3 PL8
26	02892100	2	HHCS 3/4 NC X 1 3/4" LG
27	00037200	3	NUT 3/4 NC LOCKNUT
28	5312316	2	FLATWASHER 3/4 HARDENED

60 IN GRASS FLAIL - CUTTERSHAFT



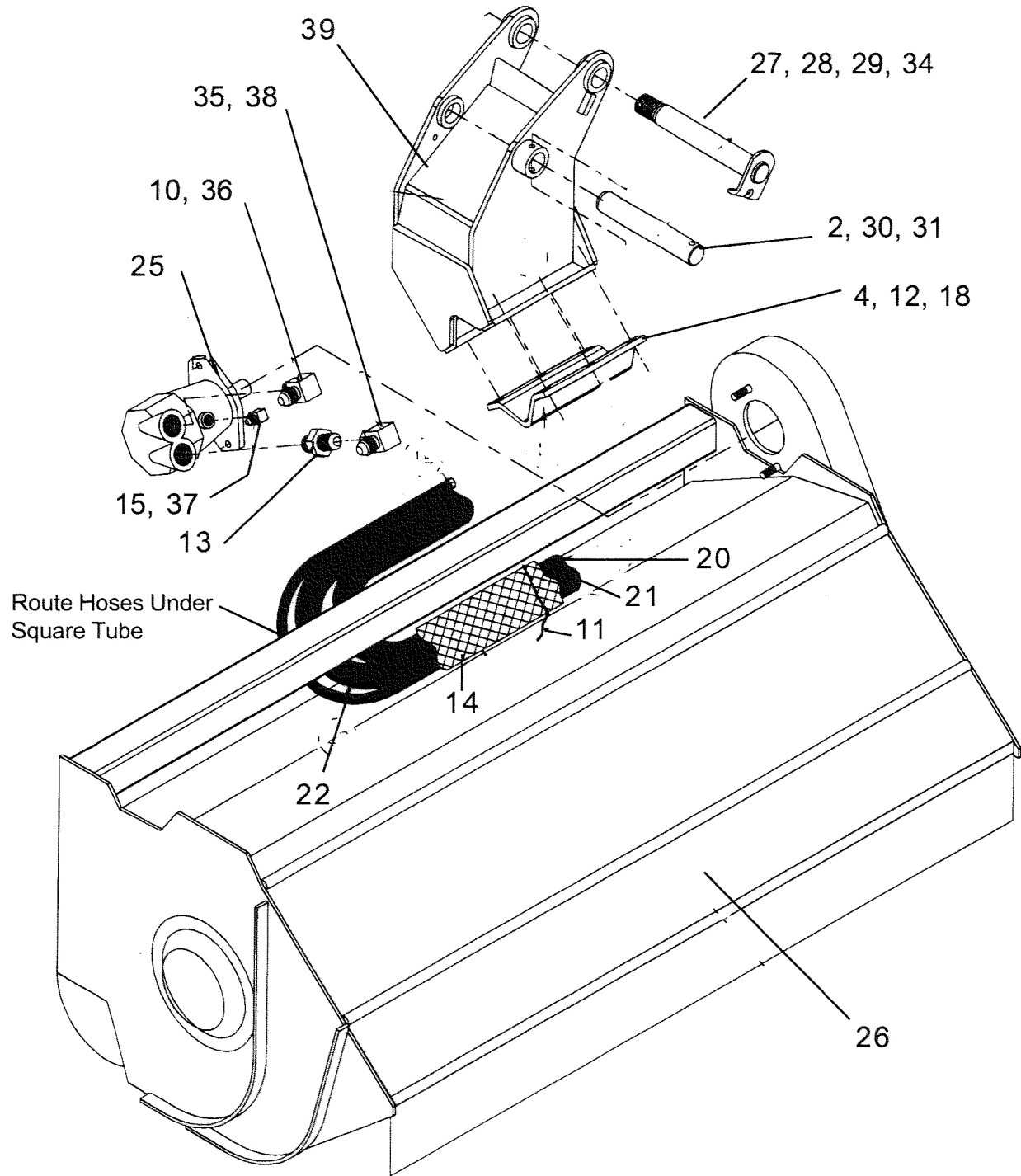
ITEM	PART NO.	QTY.	DESCRIPTION
	72.753.01	1	CUTTERSHAFT ASY, W/ KNIVES (1500 HEAD)
1	09.597.01	1	CUTTERSHAFT WLD' MT
2	05.775.10	40	BOLT
3	05.282.08	40	WASHER
4	05.968.06	40	LOCKNUT
5	09.517.01	40	SHACKLE
6	09.528.01	80	FLAIL KNIFE, SMOOTH STD
	02975613	80	FLAIL KNIFE, SERRATED OPT

60 IN GRASS FLAIL - CUTTERSHAFT BRGS



ITEM	PART NO.	QTY.	DESCRIPTION
	72.736.01	1	BEARING ASY, GRASS FLAIL 1500 HEAD
1	02.824.01	2	WASHER
2	05.264.23	10	SETSCREW
3	05.264.25	4	SETSCREW
4	05.282.03	12	SPRING WASHER
5	05.283.03	2	SHAKE PROOF WASHER
6	05.286.03	10	NUT
7	05.345.05	4	BOLT, SOCKET HEAD COUNTER SUNK
8	06.219.01	2	DISC, SHIELD
9	06.221.01	2	BEARING ASY
10	09.584.01	1	BEARING PLATE, NON-DRIVE END
11	09.584.01	1	BOLT, ADJUSTING
12	09.586.01	1	BEARING PLATE, DRIVE END
13	09.588.01	1	GUARD, NON-DRIVE END

60 IN GRASS FLAIL - HEAD ASY STANDARD



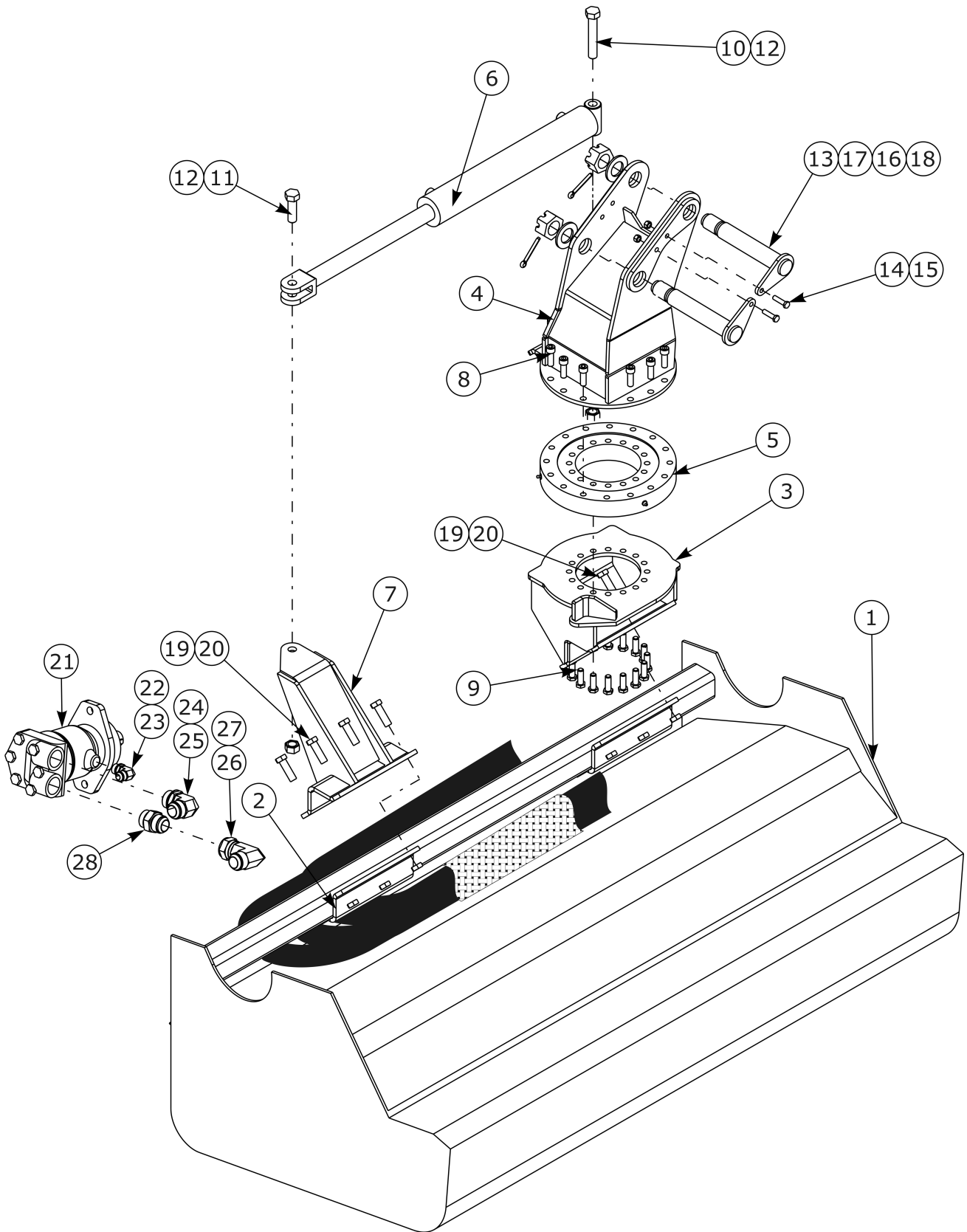
ITEM	PART NO.	QTY.	DESCRIPTION
	02972460	1	GRASS FLAIL HEAD ASY
2	00015800	1	LOCKNUT

60 IN GRASS FLAIL - HEAD ASY STANDARD

Continued...

ITEM	PART NO.	QTY.	DESCRIPTION
4	00695100	6	LOCKNUT
10	02090900	1	ADAPTER, ELBOW 90
11	02775500	3	PLASTIC TIE, 21" LG
12	02845500	6	BOLT
13	02957622	1	ADAPTER, STRAIGHT
14	02969850	1	SLEEVING, 100" LG
15	02962213	1	ADAPTER, ELBOW 90
18	02968245	1	CLAMP PLATE
19	02969464	1	ADAPTER, STRAIGHT
20	02969813	1	HOSE - W/ RED TIE
21	02972423	1	HOSE - W/ BLUE TIE
22	02969814	1	HOSE - W/ ORANGE TIE
25	8301295	1	MOTOR ASY, PISTON TYPE
26	90.162.12	1	FLAIL HEAD PRE-ASY
27	02971701	1	SLOTTED NUT
28	02971702	1	FLATWASHER
29	02971720	1	PIN
30	02971756	1	PIN, CHROME
31	02970595	1	BOLT
34	165020	1	COTTER PIN
35	02956851	1	ADAPTER, ELBOW 90
36	02968894	1	PLASTIC TIE, RED
37	02968895	1	PLASTIC TIE, BLUE
38	02968896	1	PLASTIC TIE, ORANGE
39	02972373	1	HITCH POST

60 IN GRASS FLAIL - HEAD ASY SWIVEL

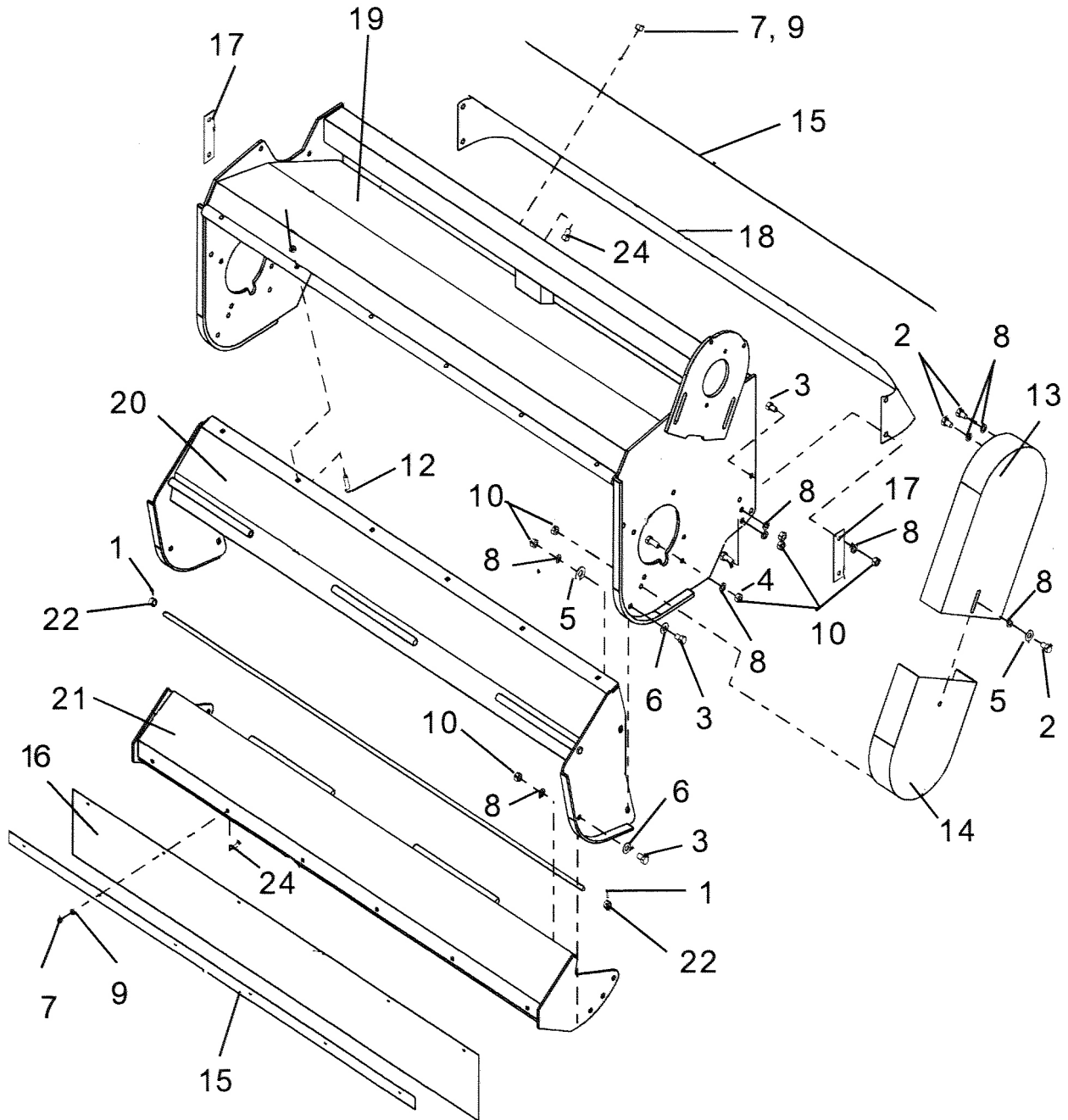


60 IN GRASS FLAIL - HEAD ASY SWIVEL

Continued...

ITEM	PART NO.	QTY.	DESCRIPTION
1	90.162.12	1	FLAILHEAD 1500(P) XT MOTORLESS
2	02968245	2	PLATE, CLAMP
3	02985447	1	WLDMNT, HITCH SWIVEL
4	02981741	1	WELDMNT, HITCH POST, MAVERICK
5	02981318	1	BEARING, 12OD X 5.8ID
6	02981315	1	CYLINDER, 2.5B X 1.5R X 14.38S
7	02985445	1	WLDMNT, CYL MOUNT
8	02981820	12	SHCS 1/2 NC X 1 1/2" LG PL8
9	02892000	16	HHCS 1/2NC 1-1/2 LG PL8
10	00754105	1	HHCS 3/4 NC 4 1/2 PL8
11	02963646	1	HHCS 3/4 NC 2-1/2 PL8
12	00037200	2	NUT 3/4 NC LOCKNUT
13	02981757	2	WELDMNT, PIN, HITCH POST
14	00023100	2	HHCS 3/8 X 1-1/2 NC PL GR5
15	00015800	2	LOCKNUT TLM 3/8 NC PLC
16	02971701	2	NUT, SLOTTED 1-3/8 12NF PLB
17	02971702	2	FLATWASHER, 1-3/8 TYPE B PL NARROW
18	165020	2	PIN, COTTER 5/16 X 2-1/2 PL
19	00695100	12	LOCKNUT TOPLOCK 5/8NC PLB
20	02845500	12	BOLT, HHCS 5/8" X 2" LG
21	8301295	1	MOTOR,PISTON-2.48 CU.IN./REV
22	02962213	1	ADP HYD ELBOW 8MB - 8MJ 90
23	02968895	1	PLASTIC TIE BLUE 11LG
24	02090900	1	ADP HYD ELBOW 16MB-16MJ90
25	90.162.12	1	FLAILHEAD 1500(P) XT MOTORLESS
26	02956851	1	ADP HYD ELBOW 16MJ -16FJX 90
27	02968896	1	PLASTIC TIE ORANGE 11LG
28	02957622	1	ADP HYD STGHT 16MB-16MJ

60 IN GRASS FLAIL - HEAD SUB-ASY



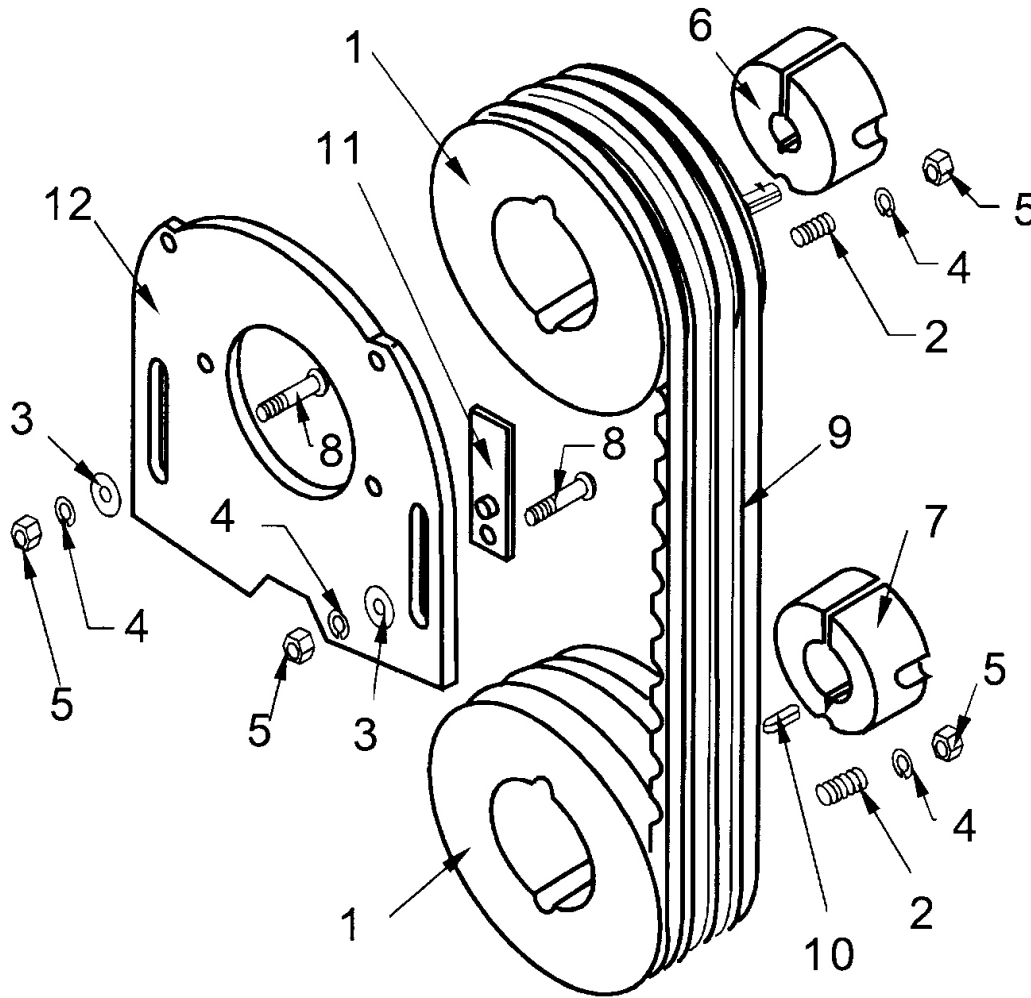
ITEM	PART NO.	QTY.	DESCRIPTION
	76.114.01	1	FLAIL HEAD SUB-ASY, 1500 HEAD
1	05.201.17	2	TENSION PIN

60 IN GRASS FLAIL - HEAD SUB-ASY

Continued...

ITEM	PART NO.	QTY.	DESCRIPTION
2	05.264.21	3	SETSCREW
3	05.264.23	10	SETSCREW
4	05.264.24	6	SETSCREW
5	02.281.03	5	FLATWASHER, PLATED
6	05.281.04	6	FLATWASHER, PLATED
7	05.282.01	12	LOCKWASHER, PLATED
8	05.282.03	20	LOCKWASHER, PLATED
9	05.286.01	16	NUT, PLATED
10	05.286.03	17	NUT, PLATED
11	05.287.02	6	LOCKNUT
12	05.839.24	6	BOLT CUP SQUARE
13	09.589.01	1	GUARD, TOP DRIVE
14	09.590.01	1	GUARD, BOTTOM DRIVE
15	09.594.02	2	BACKING STRIP (1500)
16	09.595.02	1	GUARD, FLEXIBLE (1500)
17	41418.01	2	CLAMP, GUARD
18	41424.01	1	GUARD, FLEXIBLE (1500)
19	41425.01	1	COWL, (1500)
20	41429.01	1	GUARD, FRONT FIXED (1500)
21	41430.01	1	GUARD, FRONT ADJUSTABLE (1500)
22	41436.01	2	SPACER. PIVOT FRONT GUARD
23	41438.01	1	PIN, PIVOT FRONT GUARD
24	9293054	12	BOLT CUP SQUARE

60 IN GRASS FLAIL - PULLEY ASY



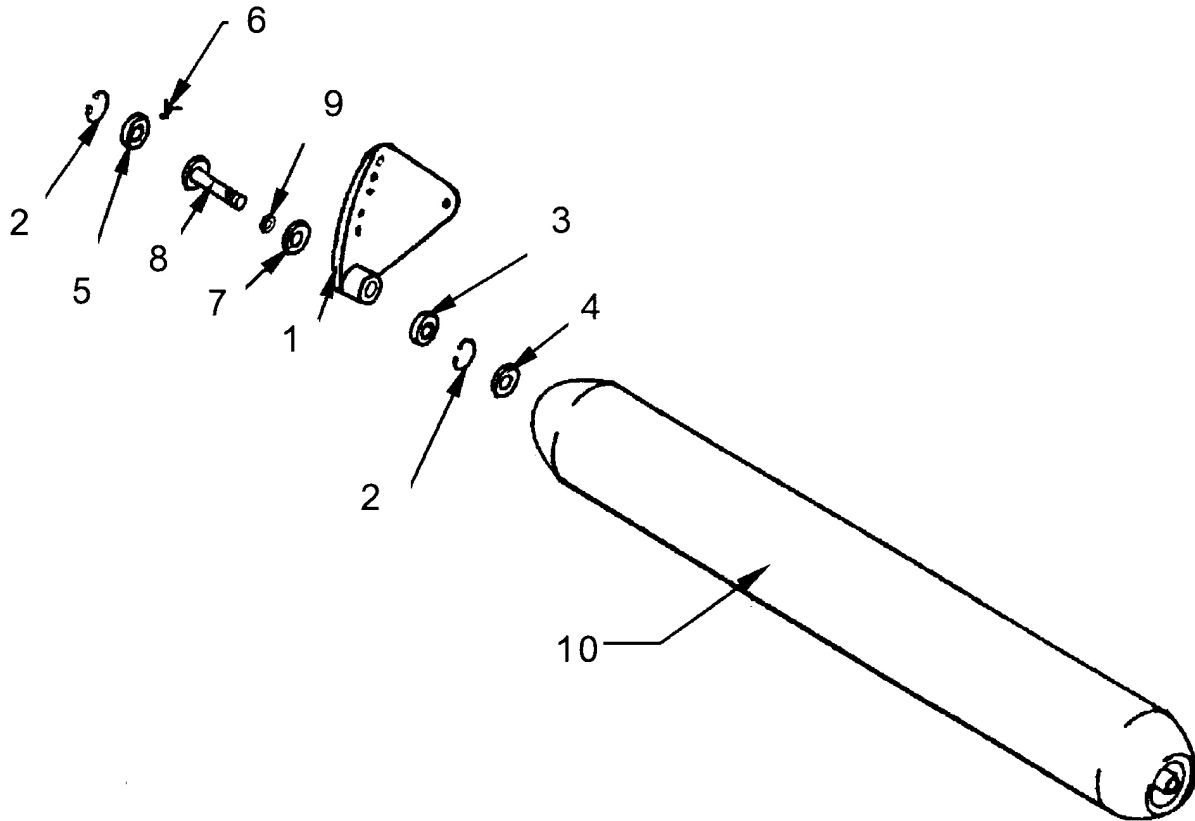
ITEM	PART NO.	QTY.	DESCRIPTION
	76.154.01	1	PULLEY ASY, GRASS FLAIL 1500 HEAD
1	03.795.02	2	PULLEY
2	04.282.17	2	STUD
3	05.281.03	2	WASHER
4	05.282.03	4	SPRING WASHER
5	05.286.03	4	NUT
6	05.424.02	1	TAPER LOCK HUB, 1-1/8" BORE
7	05.424.18	1	TAPER LOCK HUB, 1-9/16" BORE
8	05.625.12	2	SCREW
9	05.299.53	3	BELT

60 IN GRASS FLAIL - PULLEY ASY

Continued...

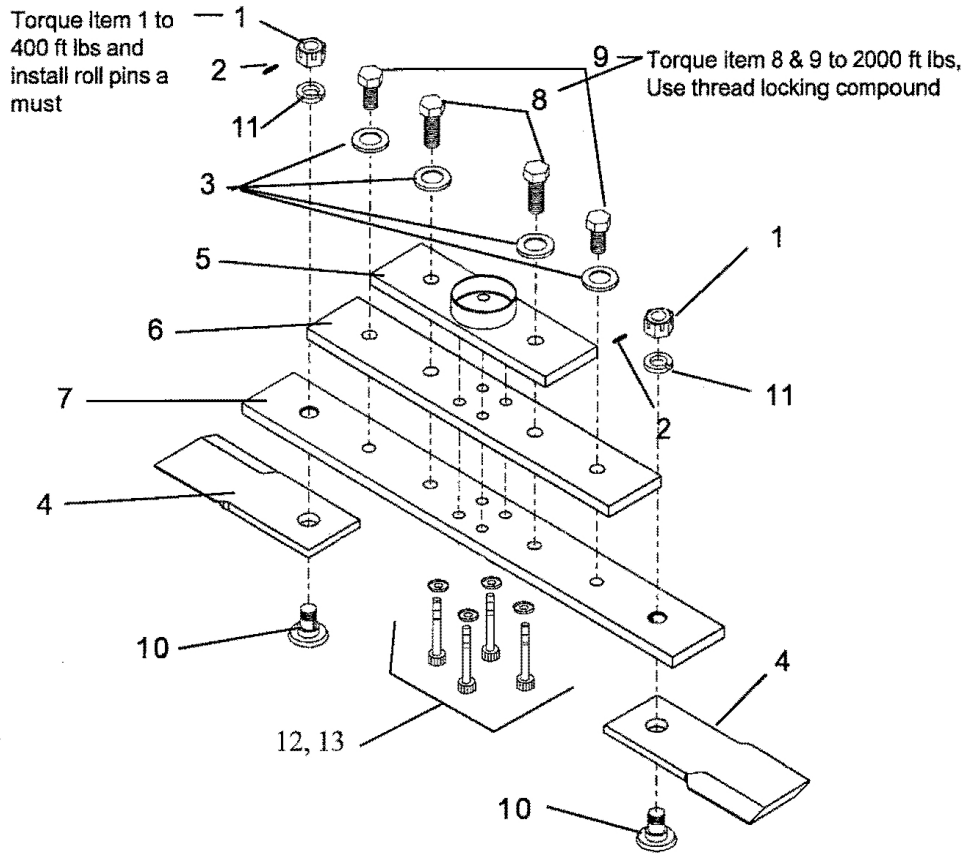
ITEM	PART NO.	QTY.	DESCRIPTION
10	05.960.16	1	KEY
11	09.587.01	1	PLATE, COVER
12	41342.01	1	PLATE

60 IN GRASS FLAIL - ROLLER ASY



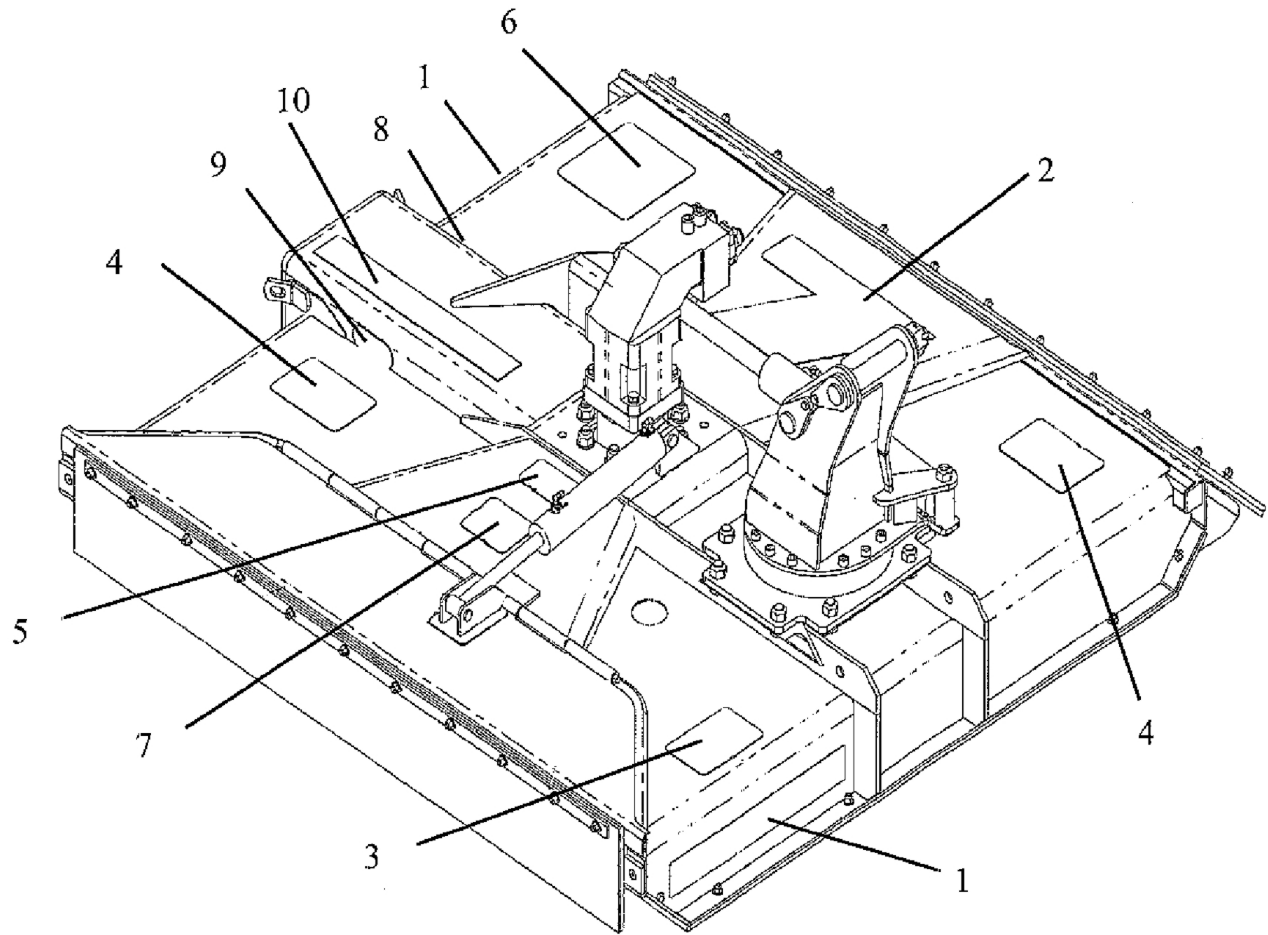
ITEM	PART NO.	QTY.	DESCRIPTION
	72.740.02	1	ROLLER ASY, GRASS FLAIL 1500 HEAD (ITEMS 1 THRU 10)
1	09.898.01	1	BRACKET, LH (NOT SHOWN)
	09.898.02	1	BRACKET, RH
2	05.959.05	4	CIRCLIP
3	42954.01	2	BEARING
4	04.164.04	2	SEAL
5	04.394.01	2	CAP
6	05.953.01	4	GREASE FITTING
7	05.234.01	2	WASHER
8	05.264.23	2	BOLT, SOCKET HEAD
9	05.282.03	2	LOCKWASHER
10	42955.05	1	ROLLER WLD`MT, (1500 HEAD)

60 IN ROTARY - BLADE BAR ASY - PN 02969230



ITEM	PART NO.	QTY.	DESCRIPTION
	02969230	1	BLADE BAR ASY, W/BLADES
1	00020900	2	SLOTTED NUT, HVY 1-1/8"-NF PL GR5
2	00023200	2	ROLL PIN, 3/16" X 1-3/4"
3	02969234	4	FLATWASHER, 1-1/4" HARDENED PL
4	02761500	1	BLADE SET, MATCHED SET OF TWO
5	02971387	1	BLADE BAR LEAF, TOP
6	02969232	1	BLADE BAR LEAF, MIDDLE
7	02969233	1	BLADE BAR LEAF, BOTTOM
8	02969235	2	BOLT, HEX HEAD 1-1/4"-NC X 3" PL GR8
9	02969236	2	BOLT, HEX HEAD 1-1/4"-NC X 2-1/4" PL GR8
10	02782900	2	BLADE BOLT, SPECIAL
11	02957089	2	LOCKWASHER, 1-1/8" PL STD
12	00003901	1	LOCKWASHER, 3/4" PL HEAVY
13	02964861	1	BOLT, SOCKET HEAD 3/4"-NC X 4" PL GR8
14	02984572	1	BLADE BOLTS, NUTS, ROLLPIN, KIT (INCLUDES 2 EACH OF ITEMS 1, 2, & 10)

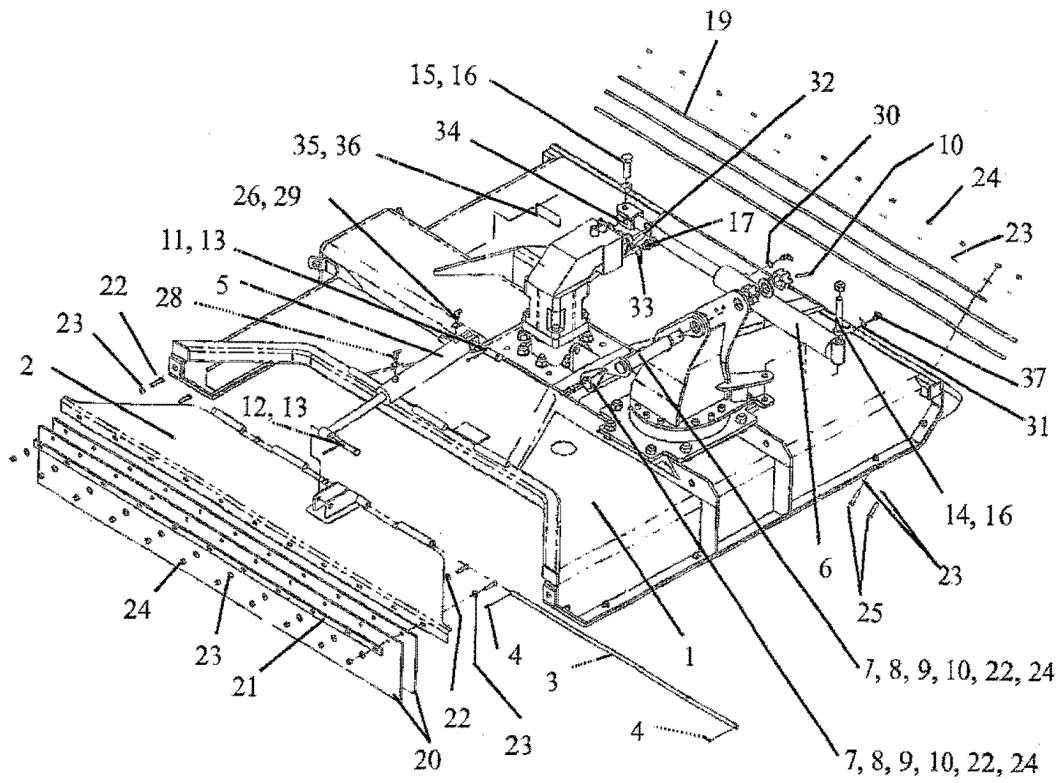
60 IN ROTARY - DECAL LOCATION



ITEM	PART NO.	QTY.	DESCRIPTION
1	00757139	2	DECAL, ALAMO GROUP
2	00757140	1	DECAL, ALAMO INDUSTRIAL LOGO
3	00769736	1	DECAL, USE/REPAIR GUARDS
4	00769737	2	DECAL, BLADES THROWN OBJECTS
5	02925100	1	DECAL, REPLACEMENT PARTS
6	02967827	1	DECAL, MULTI HAZ
7	02967867	1	DECAL, DANGER SAFETY SHIELD OPER
8	2738332	1	DECAL, RED OBLONG REFLECTOR
9	2738333	1	DECAL, YELLOW OBLONG REFLECTOR
10	02970889	1	DECAL, 60 ROTARY

THIS PAGE INTENTIONAL LEFT BLANK

60 IN ROTARY - HEAD ASY - PN 02981782

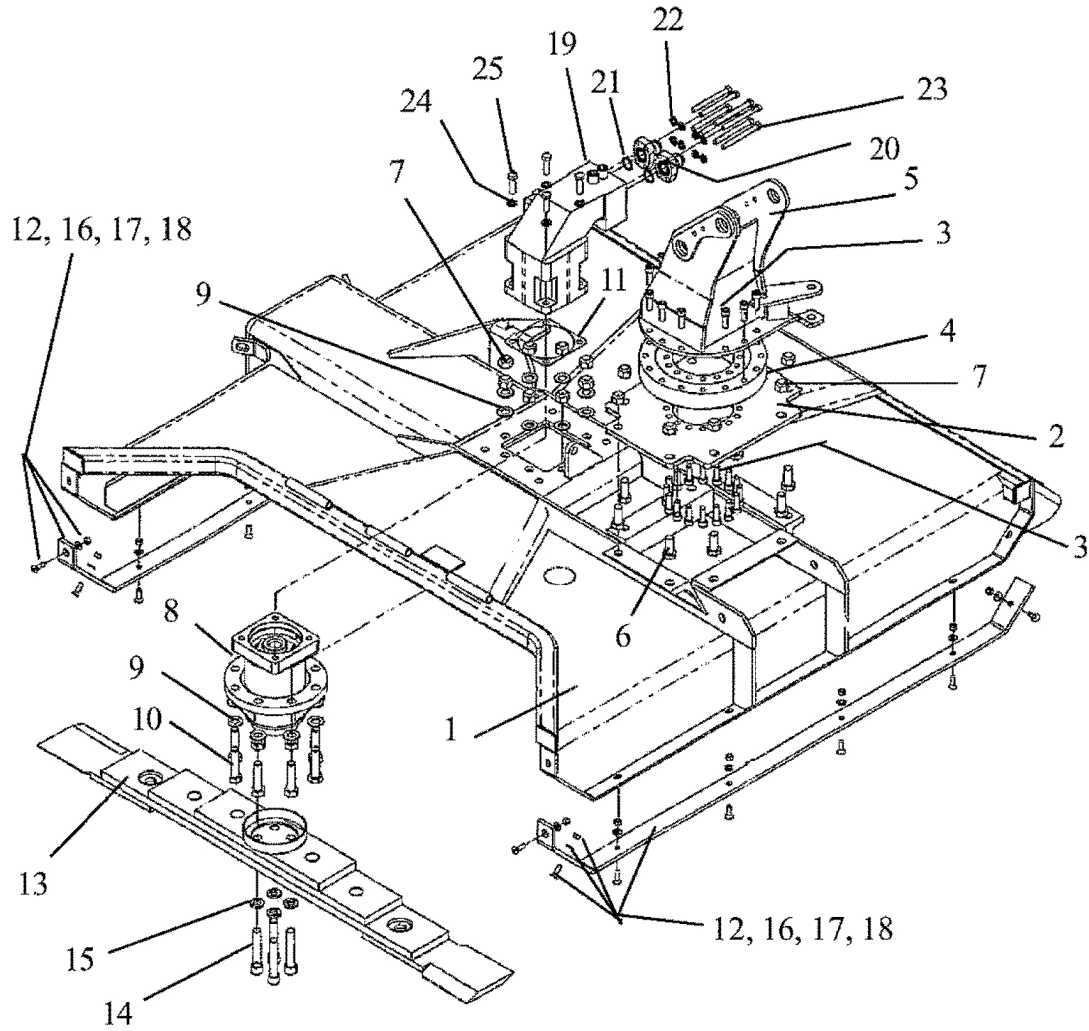


60 IN ROTARY - HEAD ASY - PN 02981782

Continued...

ITEM	PART NO.	QTY.	DESCRIPTION
1	00757139	2	DECAL, ALAMO GROUP
2	00757140	1	DECAL, ALAMO INDUSTRIAL LOGO
3	00769736	1	DECAL, USE/REPAIR GUARDS
4	00769737	2	DECAL, BLADES THROWN OBJECTS
5	02925100	1	DECAL, REPLACEMENT PARTS
6	02967827	1	DECAL, MULTI HAZ
7	02967867	1	DECAL, DANGER SAFETY SHIELD OPER
8	2738332	1	DECAL, RED OBLONG REFLECTOR
9	2738333	1	DECAL, YELLOW OBLONG REFLECTOR
10	02970889	1	DECAL, 60 ROTARY

60 IN ROTARY - HEAD SUB-ASY - PN 02981789

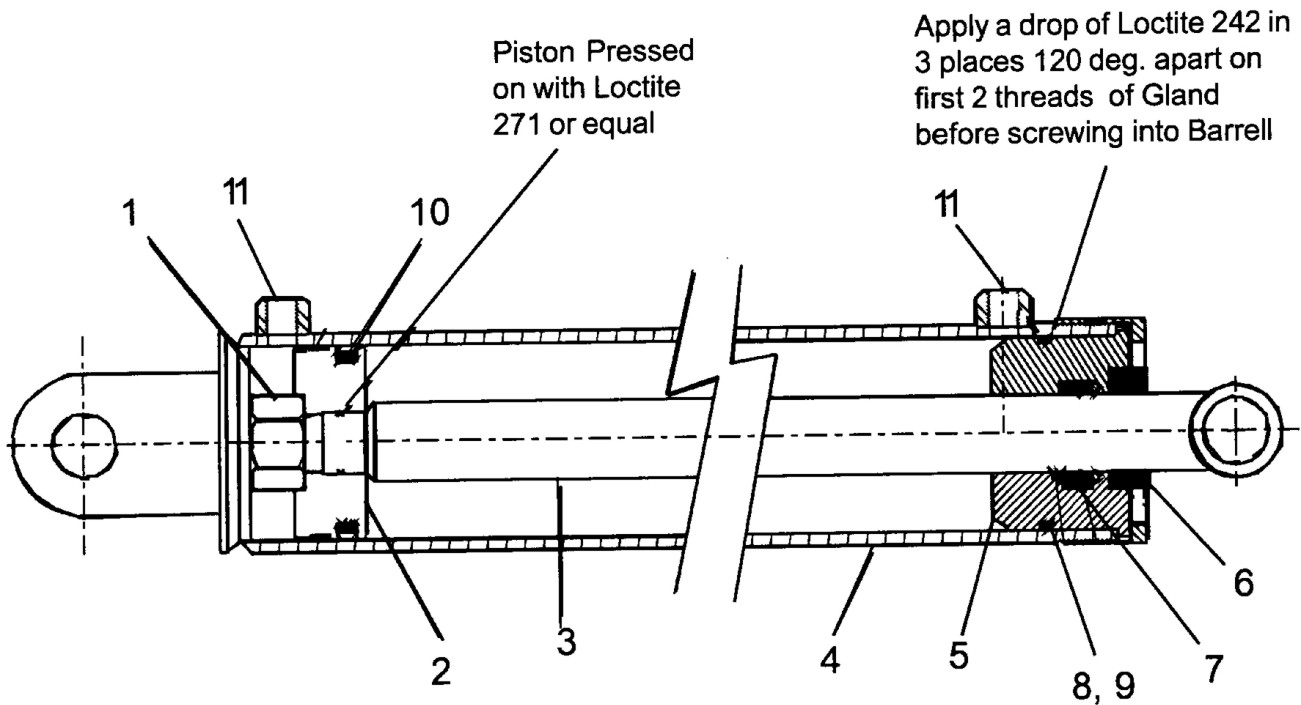


60 IN ROTARY - HEAD SUB-ASY - PN 02981789

Continued...

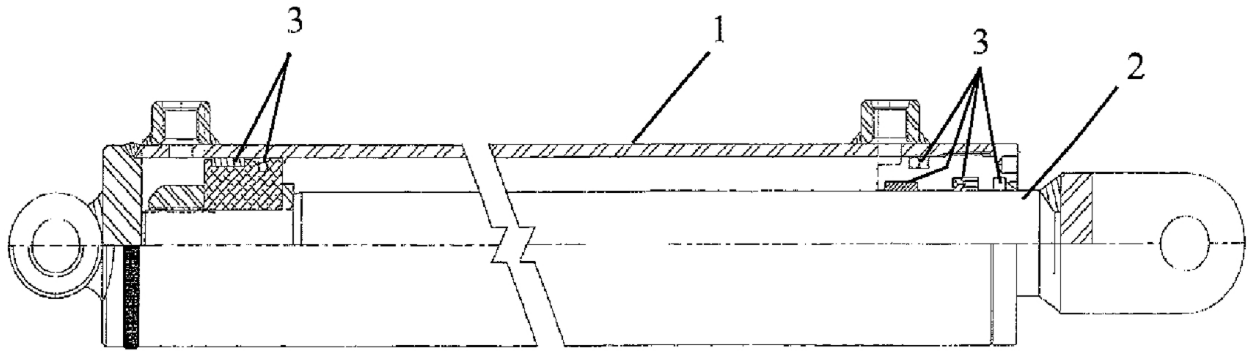
ITEM	PART NO.	QTY.	DESCRIPTION
	02981789	1	60 IN. HEAD SUB-ASY
1	02981410	1	60 IN HEAD DECK WELDMENT
2	02981752	1	PLATE, HITCH POST BOTTOM
3	02981820	28	BOLT, SOCKET HEAD 1/2"-NC X 1-1/2" PL GR8
4	02981318	1	SLEWING BEARING, 12" OD X 5.8 ID
5	02981741	1	HITCH POST WELDMENT
6	02892100	8	BOLT, HEX HEAD 3/4"-NC X 1-3/4" PL GR5
7	00037200	16	LOCKNUT, 3/4"-NC PLC
8	02968859A	1	SPINDLE HOUSING ASY, SPLINED
9	5312316	16	WASHER, (SPECIAL)
10	03200269	8	BOLT, HEX HEAD 3/4"-NC X 3" PL GR8
11	02961038	1	GASKET, SPINDLE TO MOTOR
12	02966899	2	SKID SHOE, LH OR RH
13	02969230	1	BLADE BAR ASY, W/BLADES
14	02964861	4	BOLT, SOCKET HEAD 3/4"-NC X 4" PL GR8
15	00003901	4	LOCKWASHER, 3/4" PL HEAVY
16	00059700	14	BOLT, FSCS 3/8"-NC X 1-1/4"
17	00015800	14	LOCKNUT, 3/8"-NC PLB
18	15B600	14	WASHER, 3/8" SAE P
19	02979881	1	MOTOR PISTON 4.91 CID
20	02981819	2	ADAPTER, HYD STRAIGHT 16FLH - 16MJ SPECIAL
21	02980237	2	O-RING, 1.39 OD X 1.296 ID
22	00022200	8	LOCKWASHER, STD 7/16" PL
23	02980236	8	BOLT, HEX HEAD 7/16"-NC X 4-1/2" PL GR5
24	00019600	4	LOCKWASHER, 1/2" HEAVY
25	02891800	4	BOLT, HEX HEAD 1/2"-NC X 1-3/4" PL GR8

60 IN ROTARY - HYD CYL ASY - DOOR - PN 02961480A



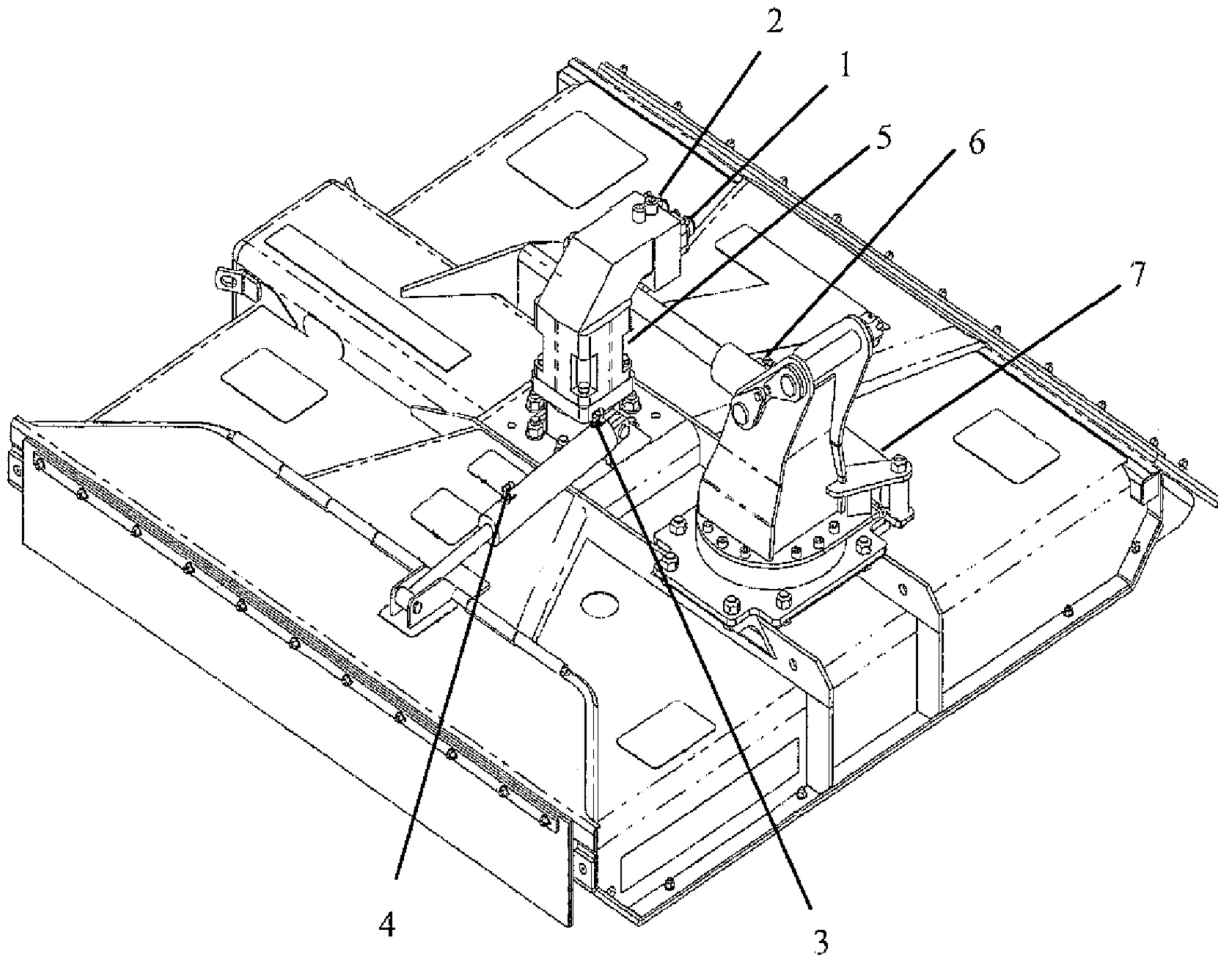
ITEM	PART NO.	QTY.	DESCRIPTION
	02961480A	1	DOOR CYLINDER ASY.
1	5JRC12160	1	LOCKNUT
2	33309	1	PISTON
3	02975865	1	ROD WLD'MT
4	02975866	1	TUBE / BARREL WLD'MT
5	02975867	1	CYLINDER HEAD
6	* SEAL KIT	1	ROD WIPER SEAL (IN ITEM 12)
7	* SEAL KIT	1	ROD SEAL (IN ITEM 12)
8	* SEAL KIT	1	O-RING (IN ITEM 12)
9	* SEAL KIT	1	SEAL (IN ITEM 12)
10	* SEAL KIT	1	PISTON SEAL (IN ITEM 12)
11	-----	2	O-RING F/ O-RING BOSS FITTING
12	02975528	1	SEAL KIT (ITEMS 6 THRU 10)

60 IN ROTARY - HYD CYL ASY - HEAD SWIVEL - PN 02981315



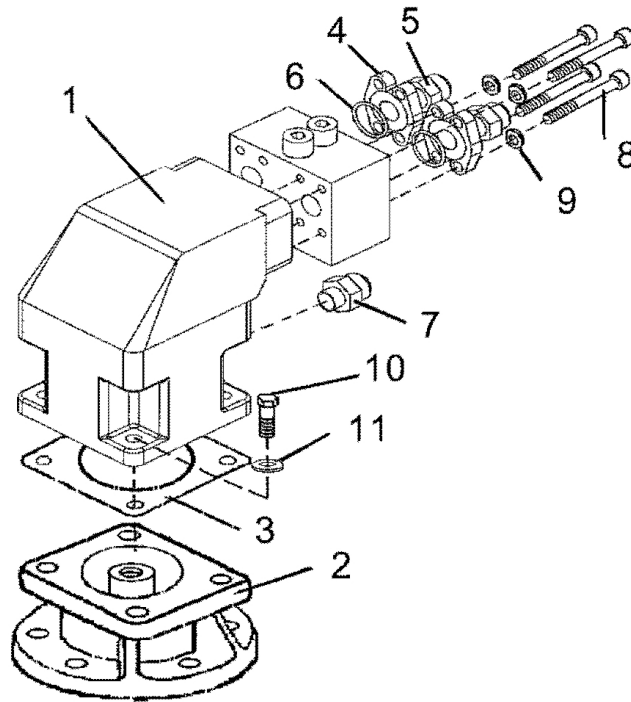
ITEM	PART NO.	QTY.	DESCRIPTION
	02981315	1	HYD CYL ASY, HEAD SWIVEL
1	02981933	1	BARREL WLD'MT
2	02981934	1	ROD ASY
3	02982072	1	SEAL KIT

60 IN ROTARY - HYD HOSE ROUTING



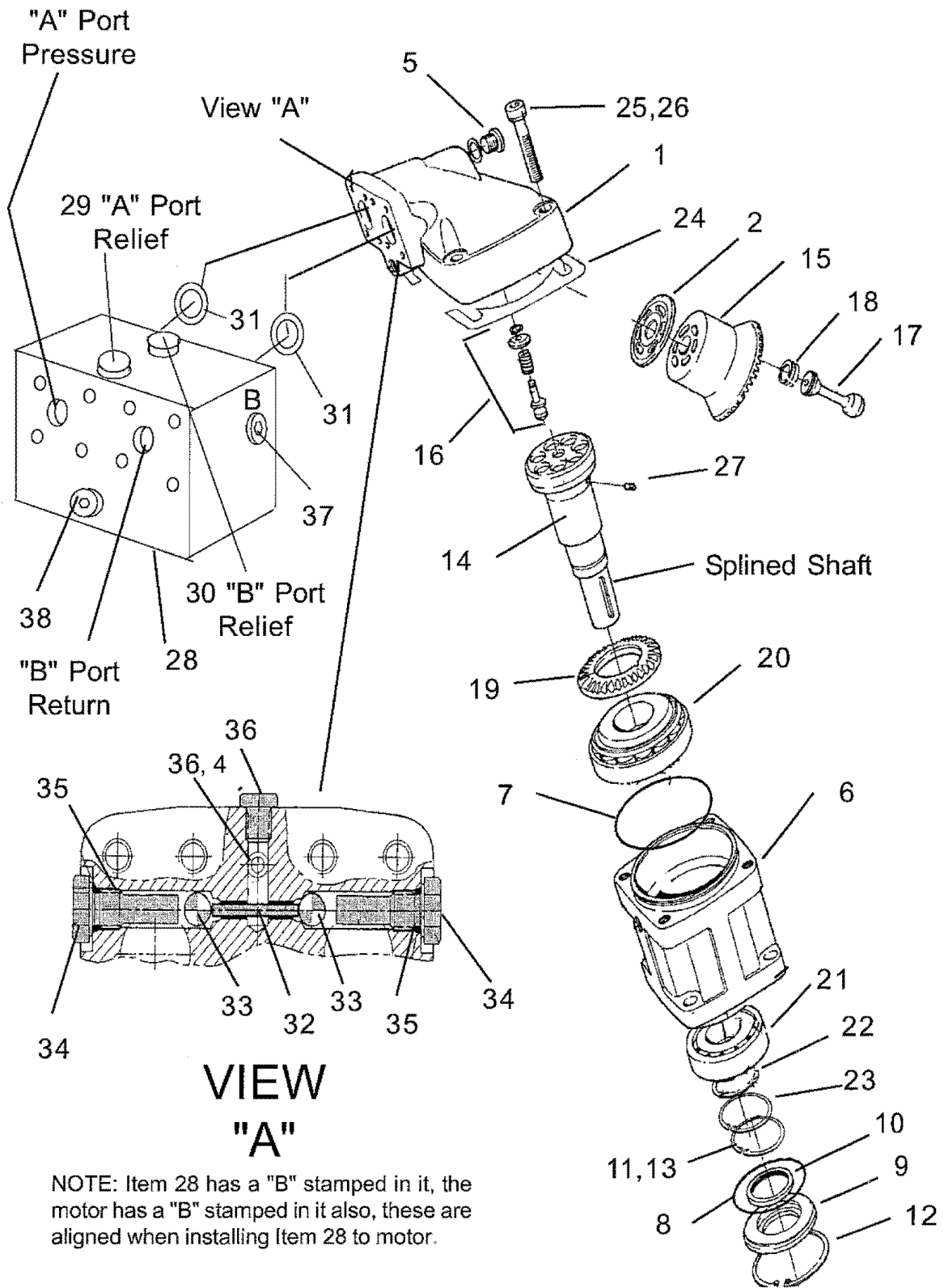
ITEM	PART NO.	QTY.	DESCRIPTION
1	02968874	1	HOSE, # 16 - 16FJX - 16FJX - 60"LG - RED TIE (MOTOR PRESSURE)
2	02968875	1	HOSE, # 16 -16FJX - 16FJX 45° - 68"LG ORG TIE (MOTOR RETURN)
3	02968877	1	HOSE, # 4 - 4FJX - 4FJX - 80"LG - YEL/WHT TIE (DOOR BASE)
4	02968878	1	HOSE, # 4 - 4FJX - 4FJX - 88"LG - YEL TIE (DOOR ROD)
5	02970705	1	HOSE, # 8 - 8FJX - 8FJX - 60"LG - BLU TIE - (MOTOR CASE DRAIN)
	02980172	1	SLEEVING, CORDURA (NOT SHOWN)
	02968895	1	PLASTIC TIE, BLUE (NOT SHOWN)
6	02981844	1	HOSE, # 4 - 4FJX - 4FJX - 60"LG - GRN TIE - (SWIVEL ROD)
7	02981845	1	HOSE, # 4 - 4FJX - 4FJX - 60"LG - GRN/WHT TIE- (SWIVEL BASE)

60 IN ROTARY - MOTOR & SPINDLE ASY



ITEM	PART NO.	QTY.	DESCRIPTION
1	02979881	1	MOTOR ASY, PISTON TYPE 4.91 CID
2	02968859A	1	SPINDLE & HOUSING ASY, SPLINED
3	02961038	1	GASKET-SPINDLE/MOTOR
4	02980235	4	FLANGE HALF
5	02980234	2	ADAPTER, STRAIGHT
6	02980237	2	O-RING
7	02972817	1	HYD ELBOW, 10MB - 8MJ45
8	02980236	8	BOLT
9	00022200	8	LOCKWASHER, STD 7/16" PL
10	02891800	4	BOLT, HEX HEAD 1/2"-NC X 1-3/4" PL GR8
11	00019600	4	LOCKWASHER, 1/2" HEAVY

60 IN ROTARY - MOTOR ASY (PARTS) - PN 02979881 (PART 1)

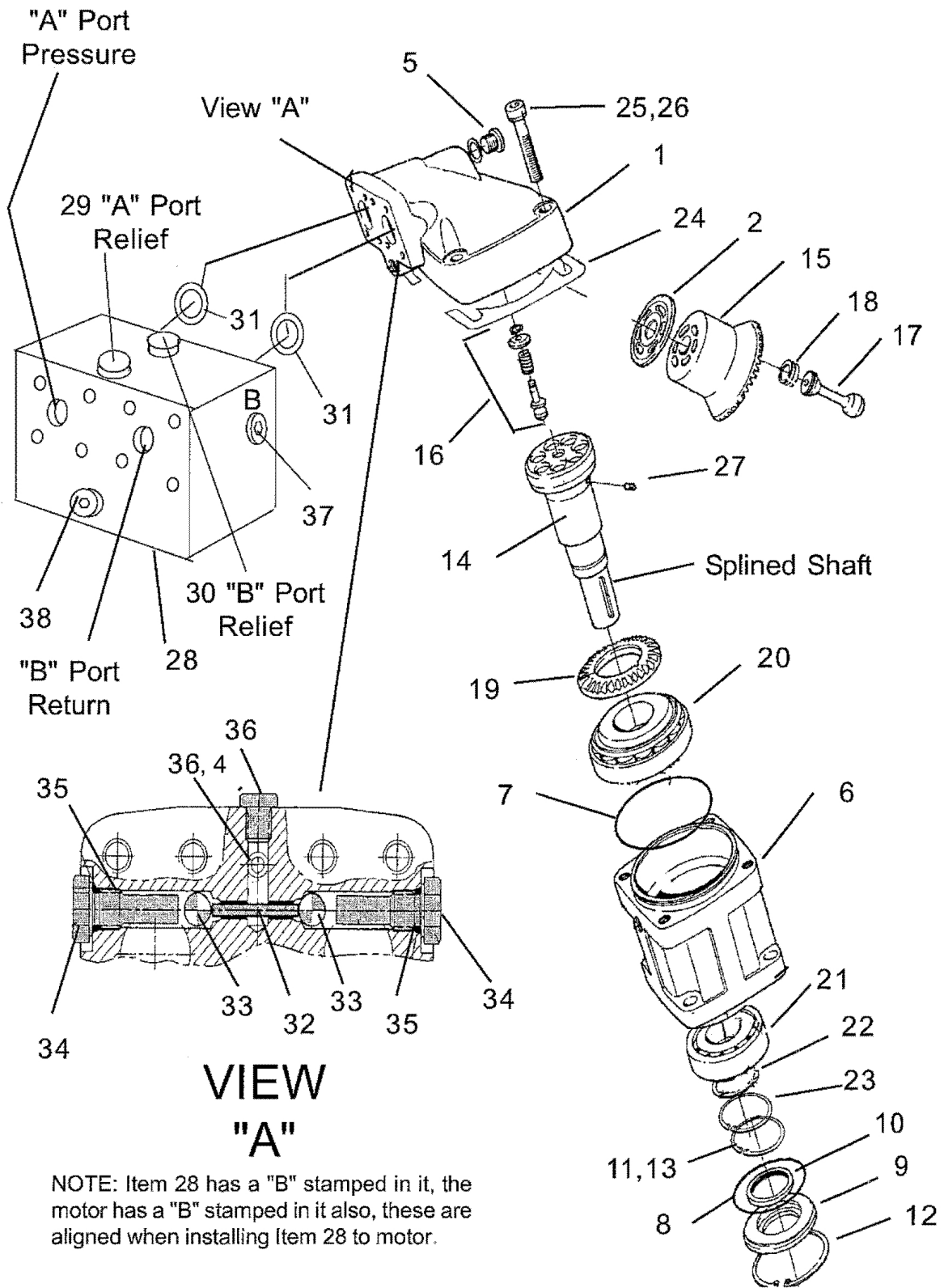


60 IN ROTARY - MOTOR ASY (PARTS) - PN 02979881 (PART 1)

Continued...

ITEM	PART NO.	QTY.	DESCRIPTION
	02979881	1	MOTOR ASY, PISTON TYPE 4.91 CID
1	02980529	1	BARREL HOUSING ASY
2	02980530	1	VALVE PLATE
4	02980536	1	NOZZLE PLUG 2.5MM
5	02980537	1	PLUG ASY, 7/8" HEXAGON
6	02980538	1	BEARING HOUSING
7	02980539	1	O-RING, 132 X 3
8	02980540	1	O-RING, 104.5 X 3
9	02980541	1	SEAL CARRIER
10	02980542	1	SHAFT SEAL
11	02980543	1	SPACER WASHER
12	02980544	1	RETAINING RING
13	02980545	1	RETAINING RING
14	02980546	1	SHAFT ASY, TYPE U
15	02980548	1	CYLINDER BARREL
16	02980549	1	BARREL SUPPORT
17	02980550	7	PISTON ASY
18	02980551	21	PISTON RING
19	02980552	1	RING GEAR
20	02980553	1	TAP ROL BEARING
21	02980554	1	BEARING, TAPERED ROLLER
22	02980555	1	SPACER WASHER
23	02980556	1	RETAINING RING
24	02980557	1	SHIM, 0.5
	02980558	1	SHIM, 0.2
	02980559	1	SHIM, 0.4
	02980560	1	SHIM, 0.6
	02980561	1	SHIM, 0.8
	02980562	1	SHIM, 1.0
	02980563	1	SHIM, 0.7
25	02980564	4	BOLT, SOCKET HEAD M12 X 50 10.9
26	02980565	1	LOCKWASHER, M13 X 19.5
27	02980547	1	GUIDE PIN
28	02980571	1	RELIEF MANIFOLD
	02980570	1	RELIEF VALVE, SEAL KIT
29	02980568	1	RELIEF VALVE, 280 BAR
30	02980569	1	RELIEF VALVE, 330 BAR
31	02980237	2	O-RING
32	02980531	1	KEY, FLAT
33	02980532	2	STEEL BALL
34	02980533	2	PLUG, HEXAGON

60 IN ROTARY - MOTOR ASY (PARTS) - PN 02979881 (PART 2)

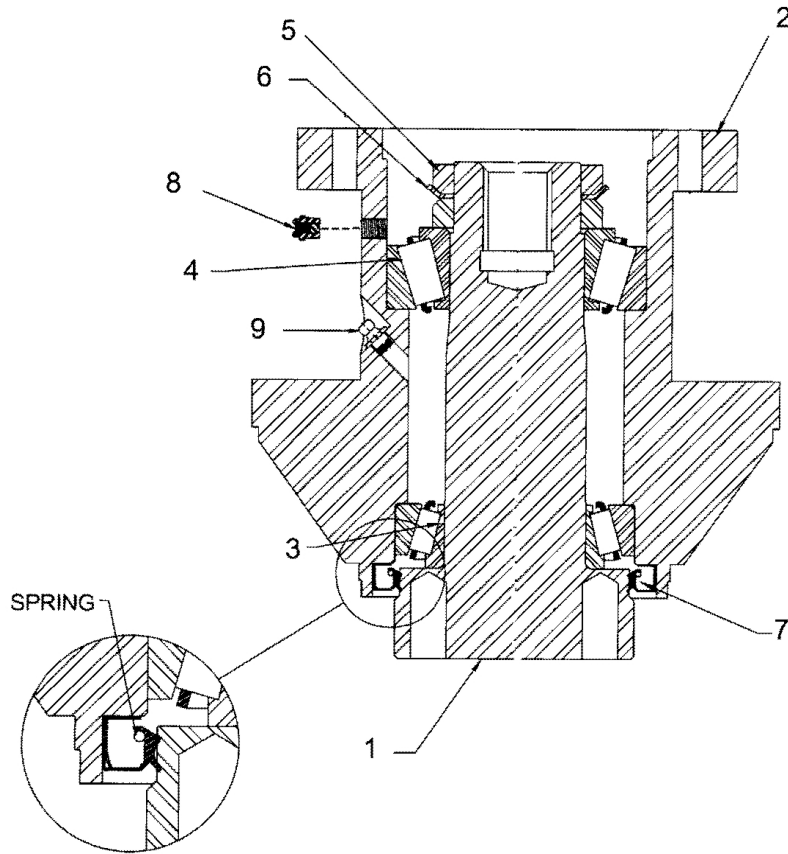


60 IN ROTARY - MOTOR ASY (PARTS) - PN 02979881 (PART 2)

Continued...

ITEM	PART NO.	QTY.	DESCRIPTION
35	02980534	2	O-RING
36	02980535	2	PLUG ASY, HEX SOCKET
37	02980572	2	PLUG ASY
38	02980573	1	PLUG ASY
39	02980566	1	REBUILD KIT
40	02980567	1	SEAL KIT, FOR 02979881 MTR

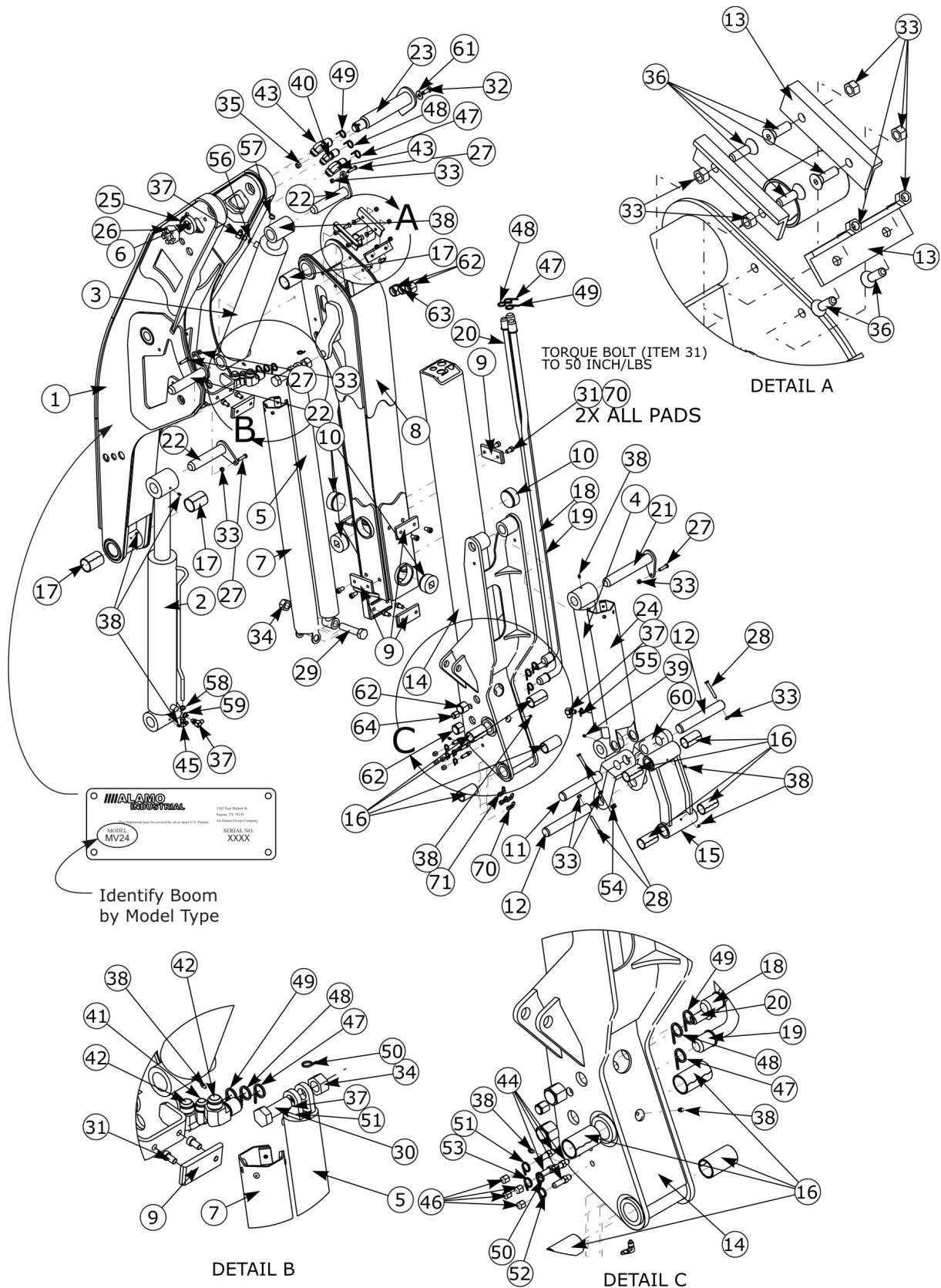
60 IN ROTARY - SPINDLE ASY - PN 02968859



ITEM	PART NO.	QTY.	DESCRIPTION
	02968859	1	SPINDLE ASY
1	02967204	1	SPINDLE SHAFT, SPLINED
2	02967126	1	HOUSING, MACHINED SPINDLE
3	02967197	1	BEARING ASY, CUP & CONE, LOWER
4	02967196	1	BEARING ASY, CUP & CONE, UPPER
5	02909500	2	ADJUSTING NUT, 2.360-18 PITCH
6	02909600	1	TABBED LOCKWASHER, BEARING ADJUSTING NUT LOCK
7	02967198	1	SEAL
8	02959018	1	GREASE RELIEF FITTING, 1-5LBS
9	00003500	1	GREASE FITTING, 1/8" STRAIGHT

THIS PAGE INTENTIONAL LEFT BLANK

BOOM ASY (24 FT BOOM GEN 1) - PN 02981777 (PART 1)



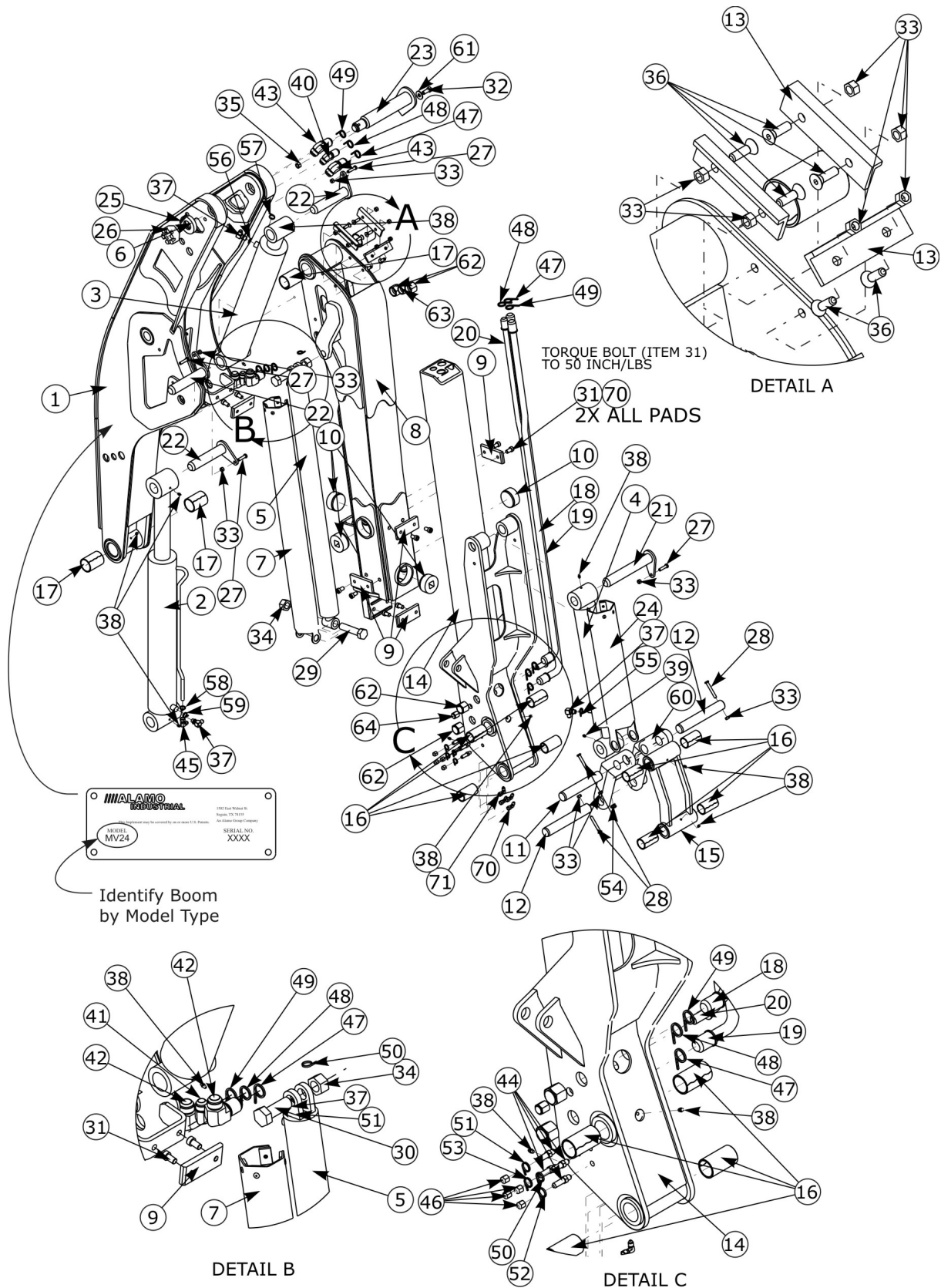
BOOM ASY (24 FT BOOM GEN 1) - PN 02981777 (PART 1)

Continued...

ITEM	PART NO.	QTY.	DESCRIPTION
	02981777	1	ASSEMBLY, 24 MAVERICK
1	02981213	1	WELDMENT, 24 LIFT, MAVERICK
2	02981279	1	CYLINDER, 4.0B X 2.25R X 24.63S
3	02981277	1	CYLINDER, 4.0B X 2.25R X 21.5S
4	02981280	1	CYLINDER, 3.0B X 1.5R X 16.0S
5	02981276	1	CYLINDER, 2.5B X 1.5R X 36.0S
6	02981273	1	SPACER, PIN, DIPPER, MAVERICK
7	02981700	1	ASSEMBLY, EXTENSION CYLINDER GUARD, MAVERICK
8	02981290	1	WELDMENT, 24 DIPPER, MAVERICK
9	02982455	5	SLIDE BLOCK, DIPPER, MAVERICK 1/2-13
10	02981740	4	SLIDE PUCK, DIPPER, MAVERICK
11	02971754	1	PIN 1-1/2 X 8-5/16 & 13/32 HOLE
12	02971755	2	PIN, 1-1/2 X 9-9/16 & 13/32 HOLE
13	02981802	3	WEAR SLIDE, DIPPER
14	02981423	1	WELDMENT, TELESCOPING, MAVERICK
15	02981695	1	WELDMENT, LINKAGE ARM, MAVERICK
16	02981424	8	CONNEX BUSHING, 1 3/4 X 1 1/2 X 3
17	02981420	4	CONNEX BUSHING, 2 1/4 X 2 X 3
18	02981342	1	HYDRAULIC TUBING, #16 SHORT, EXTENSION, MAVERICK
19	02981343	1	HYDRAULIC TUBING, #16 LONG, EXTENSION, MAVERICK
20	02981344	1	HYDRAULIC TUBING, #8, EXTENSION, MAVERICK
21	02981425	1	WELDMENT, PIN, TILT CYINDER, MAVERICK
22	02981734	3	WELDMENT, CYLINDER PIN, MAVERICK
23	02981294	1	WELDMENT, PIN, LIFT/ DIPPER
24	02981735	1	ASSEMBLY, TILIT CYLINDER COVER, MAVERICK
25	165020	1	PIN, COTTER 5/16 X 2-1/2 PL
26	02981702	1	SLOTTED NUT, 1-1/2 NF
27	00023100	4	HHCS 3/8 X 1-1/2 NC PL GR5
28	02970595	3	HHCS 3/8 NC 2-3/4 PL8
29	00754108	1	HHCS 1 NC 4 1/2 PL8
30	02782100	1	HHCS 1 NC 2 3/4 PL8
31	02982454	10	SHCS 1/2 NC X 7/8
32	02776600	1	HHCS 1/2 NC X 1 1/4 PL8
33	00015800	13	LOCKNUT TLM 3/8 NC PLC
34	02030300	2	NUT TOPLOCK 1 NC PL8
35	00001800	1	LOCKNUT TLM 1/2 NC PLB
36	00059700	6	FSCS 3/8 NC X 1-1/4
37	63149100	4	ADP, HYD ELBOW 6MB-6MJ 90
38	00752670	11	GREASE FITTING 1/4-28 BOLT THD
39	000941	1	GREASE ZERK 1/4-28 90 BOLT THD
40	02981199	1	ADAPTER 12MJ - 12MJ 45 BULKHEAD

Maverick Boom 24 and 30 FT (08-06) Rev 09-08

BOOM ASY (24 FT BOOM GEN 1) - PN 02981777 (PART 2)

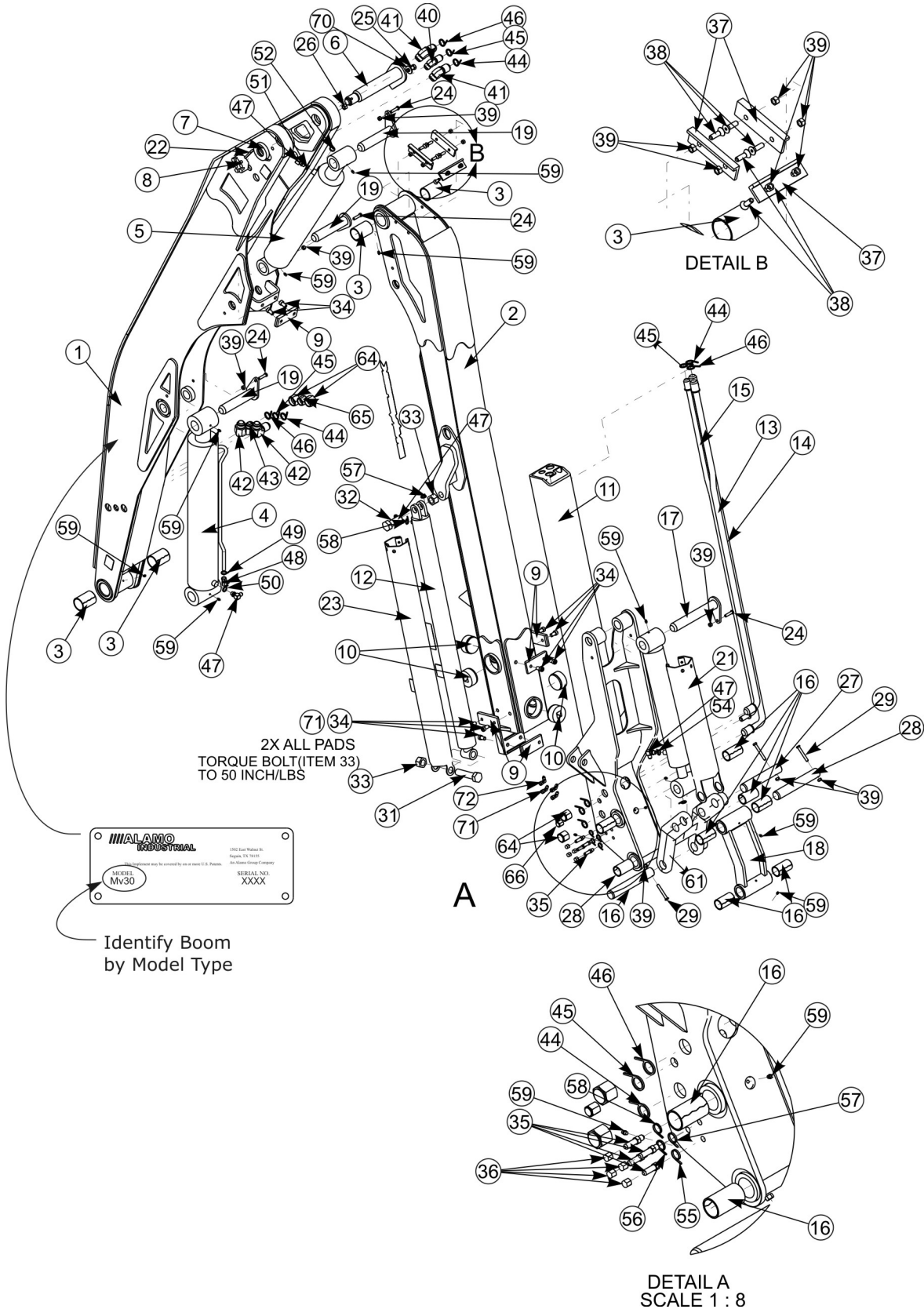


BOOM ASY (24 FT BOOM GEN 1) - PN 02981777 (PART 2)

Continued...

ITEM	PART NO.	QTY.	DESCRIPTION
41	02742400	1	ADP HYD ELBOW 12MJ-12MJ90 BKHD
42	02742500	2	ADP HYD ELBOW 16MJ-16MJ90 BKHD
43	02919400	2	ADP HYD ELBOW 16MJ-16MJ45 BKHD
44	02965448	4	ADP HYD STGHT 4MJ-4MJ BLKHD
45	001921	1	ADP HYD ELBOW 6MJ - 6FJX 90
46	02919600	4	CAP-NUT #4FJ
47	02968894	4	PLASTIC TIE RED 11LG
48	02968895	4	PLASTIC TIE BLUE 11LG
49	02968896	4	PLASTIC TIE ORANGE 11LG
50	02968836	2	PLASTIC TIE YEL 4LG
51	02968837	2	PLASTIC TIE Y/W 4LG
52	02968832	1	PLASTIC TIE GRN 4"
53	02968833	1	PLASTIC TIE G/W 4LG
54	02968829	1	PLASTIC TIE R/W 4LG
55	02968828	1	PLASTIC TIE RED 4LG
56	02968830	1	PLASTIC TIE BLU 4LG
57	02968831	1	PLASTIC TIE B/W 4LG
58	02968834	1	PLASTIC TIE ORG 4LG
59	02968835	1	PLASTIC TIE O/W 4LG
60	02972816	1	MACHINED PIVOT LINK
61	00002700	1	FLATWASHER 1/2 PL STD
62	02956918	4	CAP,HYD #16FJIC
63	02974944	1	USE 02964952
64	02972910	1	ADP HYD CAP 8FJ
70	02976532	3	ADP HYD ELBOW 4MJ - 4FJX 45DEG
71	02962022	1	ADP HYD ELBOW 4MJ-4FJX90

BOOM ASY (30 FT BOOM GEN 1) - PN 02981778 (PART 1)



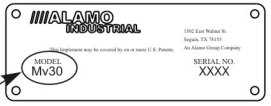
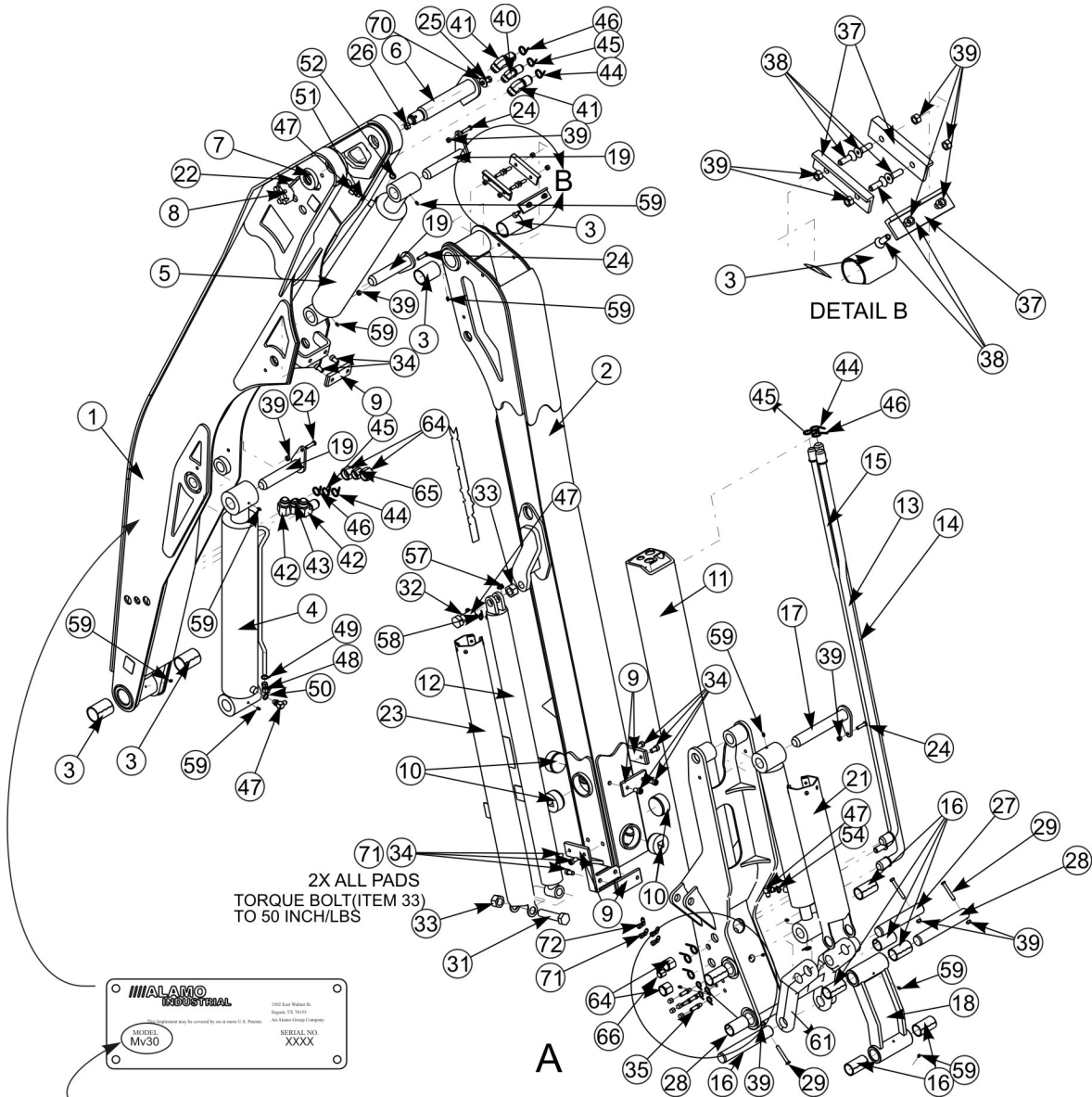
BOOM ASY (30 FT BOOM GEN 1) - PN 02981778 (PART 1)

Continued...

ITEM	PART NO.	QTY.	DESCRIPTION
	02981778	1	ASSEMBLY, 30 MAVERICK
1	02981298	1	WELDMENT, LIFT, 30 MAVERICK
2	02981289	1	WELDMENT, 30 DIPPER, MAVERICK
3	02981420	4	CONNEX BUSHING, 2 1/4 X 2 X 3
4	02981278	1	CYLINDER, 4.5B X 2.5R X 24.63S
5	02981277	1	CYLINDER, 4.0B X 2.25R X 21.5S
6	02981294	1	WELDMENT, PIN, LIFT/ DIPPER
7	02981273	1	SPACER, PIN, DIPPER, MAVERICK
8	02981702	1	SLOTTED NUT, 1-1/2 NF
9	02982455	5	SLIDE BLOCK, DIPPER, MAVERICK 1/2-13
10	02981740	4	SLIDE PUCK, DIPPER, MAVERICK
11	02981423	1	WELDMENT, TELESCOPING, MAVERICK
12	02981276	1	CYLINDER, 2.5B X 1.5R X 36.0S
13	02981342	1	HYDRAULIC TUBING, #16 SHORT, EXTENSION, MAVERICK
14	02981343	1	HYDRAULIC TUBING, #16 LONG, EXTENSION, MAVERICK
15	02981344	1	HYDRAULIC TUBING, #8, EXTENSION, MAVERICK
16	02981424	8	CONNEX BUSHING, 1 3/4 X 1 1/2 X 3
17	02981425	1	WELDMENT, PIN, TILT CYINDER, MAVERICK
18	02981695	1	WELDMENT, LINKAGE ARM, MAVERICK
19	02981734	3	WELDMENT, CYLINDER PIN, MAVERICK
20	02981280	1	CYLINDER, 3.0B X 1.5R X 16.0S
21	02981735	1	ASSEMBLY, TILIT CYLINDER COVER, MAVERICK
22	165020	1	PIN, COTTER 5/16 X 2-1/2 PL
23	02981700	1	ASSEMBLY, EXTENSION CYLINDER GUARD, MAVERICK
24	00023100	4	HHCS 3/8 X 1-1/2 NC PL GR5
25	02776600	1	HHCS 1/2 NC X 1 1/4 PL8
26	00001800	1	LOCKNUT TLM 1/2 NC PLB
27	02971754	1	PIN 1-1/2 X 8-5/16 & 13/32 HOLE
28	02971755	2	PIN, 1-1/2 X 9-9/16 & 13/32 HOLE
29	02970595	2	HHCS 3/8 NC 2-3/4 PL8
30	00059900	1	BOLT, HHCS 3/8 NC 3 PL5
31	00754108	1	HHCS 1 NC 4 1/2 PL8
32	02782100	1	HHCS 1 NC 2 3/4 PL8
33	02030300	2	NUT TOPLOCK 1 NC PL8
34	02982454	10	SHCS 1/2 NC X 7/8
35	02965448	4	ADP, HYD 4MJ -4MJ BULKHEAD
36	02919600	4	CAP, HYD 4FJ
37	02981802	3	WEAR SLIDE, DIPPER
38	00059700	6	FSCS 3/8 NC X 1-1/4
39	00015800	13	LOCKNUT TLM 3/8 NC PLC
40	02981199	1	ADAPTER 12MJ - 12MJ 45 BULKHEAD

Maverick Boom 24 and 30 FT (08-06) Rev 09-08

BOOM ASY (30 FT BOOM GEN 1) - PN 02981778 (PART 2)



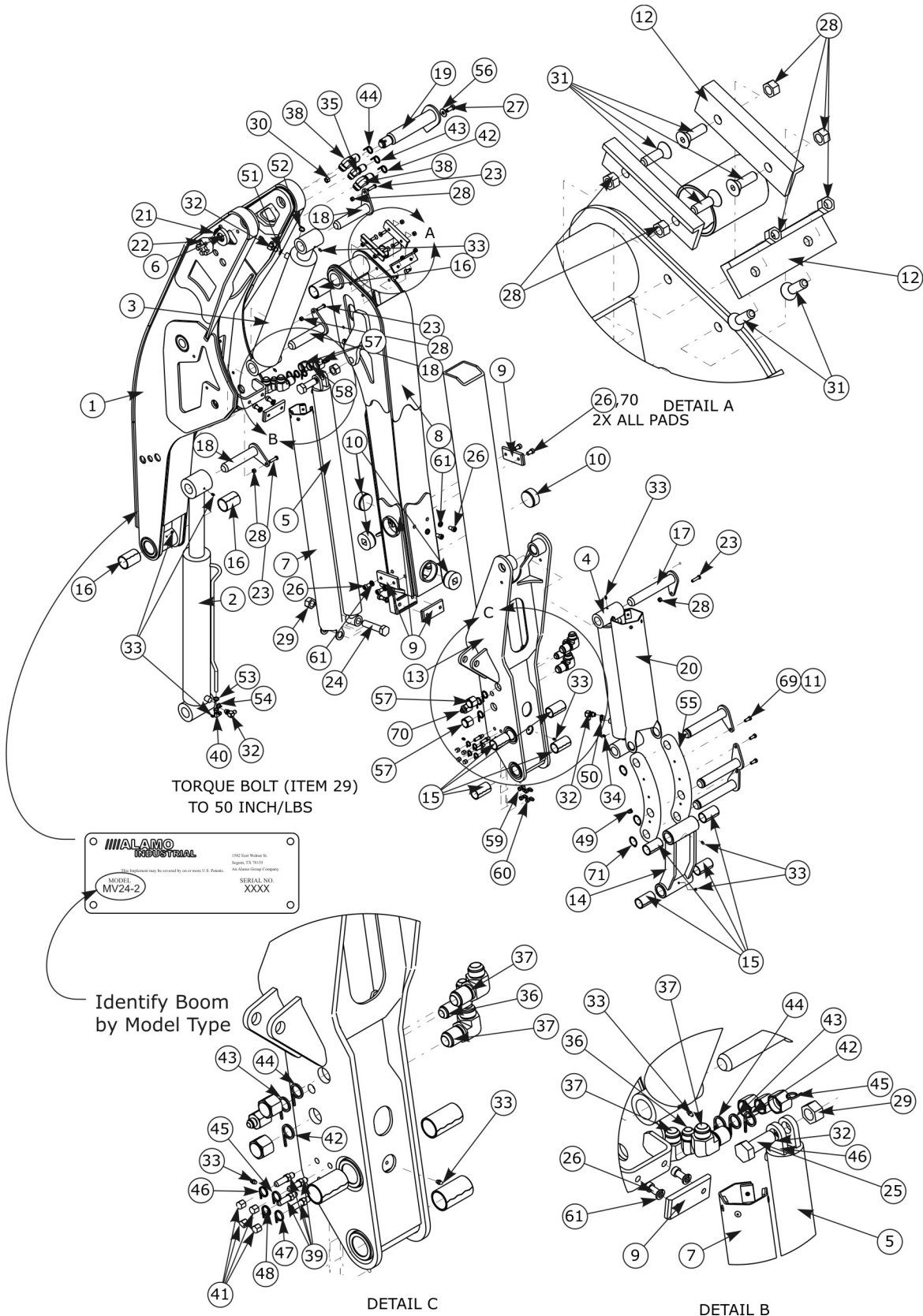
Identify Boom by Model Type

BOOM ASY (30 FT BOOM GEN 1) - PN 02981778 (PART 2)

Continued...

ITEM	PART NO.	QTY.	DESCRIPTION
41	02919400	2	ADP HYD ELBOW 16MJ-16MJ45 BKHD
42	02742500	2	ADP HYD ELBOW 16MJ-16MJ90 BKHD
43	02742400	1	ADP HYD ELBOW 12MJ-12MJ90 BKHD
44	02968894	4	PLASTIC TIE RED 11LG
45	02968895	4	PLASTIC TIE BLUE 11LG
46	02968896	4	PLASTIC TIE ORANGE 11LG
47	63149100	4	ADP HYD ELBOW 6MB-6MJ90
48	001921	1	ADP HYD ELBOW 6MJ - 6FJX 90
49	02968834	1	PLASTIC TIE ORG 4LG
50	02968835	1	PLASTIC TIE O/W 4LG
51	02968830	1	PLASTIC TIE BLU 4LG
52	02968831	1	PLASTIC TIE B/W 4LG
53	02968829	1	PLASTIC TIE R/W 4LG
54	02968828	1	PLASTIC TIE RED 4LG
55	02968832	1	PLASTIC TIE GRN 4"
56	02968833	1	PLASTIC TIE G/W 4LG
57	02968836	2	PLASTIC TIE YEL 4LG
58	02968837	2	PLASTIC TIE Y/W 4LG
59	00752670	11	FITTING,GREASE STRAIGHT 1/4-28
60	000941	1	GREASE FITTING,1/4-28X90
61	02972816	1	MACHINED PIVOT LINK
62	02962764	6	DECAL - PINCH POINTS
63	00002700	1	FLATWASHER 1/2 PL STD
64	02956918	4	CAP,HYD #16FJIC
65	02974944	1	USE 02964952
66	02972910	1	ADP HYD CAP 8FJ
71	02976532	3	ADP HYD ELBOW 4MJ - 4FJX 45DEG
72	02962022	1	ADP HYD ELBOW 4MJ-4FJX90

BOOM ASY (24 FT BOOM GEN 2) - PN 02986684 (PART 1)



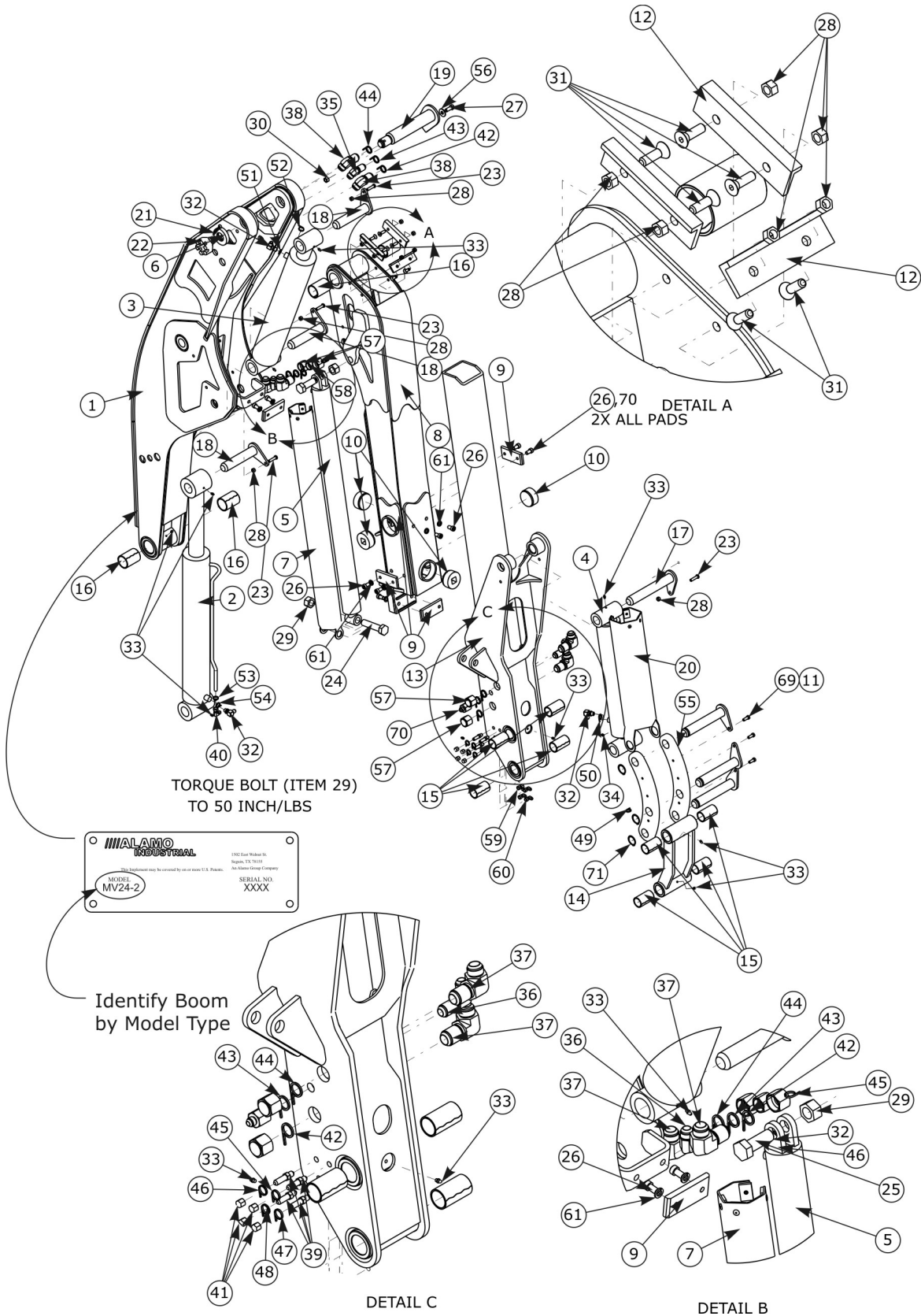
BOOM ASY (24 FT BOOM GEN 2) - PN 02986684 (PART 1)

Continued...

ITEM	PART NO.	QTY.	DESCRIPTION
	02986684	1	ASSEMBLY, 24 MAVERICK II
1	02981213	1	WELDMENT, 24 LIFT, MAVERICK
2	02981279	1	CYLINDER, 4.0B X 2.25R X 24.63S
3	02981277	1	CYLINDER, 4.0B X 2.25R X 21.5S
4	02984944	1	CYLINDER, 3.5B X 1.5R X 16.0S
5	02981276	1	CYLINDER, 2.5B X 1.5R X 36.0S
6	02981273	1	SPACER, PIN, DIPPER, MAVERICK
7	02981700	1	ASSEMBLY, EXTENSION CYLINDER GUARD, MAVERICK
8	02984668	1	WELDMENT, 24 DIPPER, MAVERICK
9	02982455	5	SLIDE BLOCK, DIPPER, MAVERICK 1/2-13
10	02981740	4	SLIDE PUCK, DIPPER, MAVERICK
11	02985220	3	WELDMENT, PIN, LINKAGE
12	02981802	3	WEAR SLIDE, DIPPER
13	02985388	1	WELDMENT, TELESCOPING, AXTREME 28
14	02981695	1	WELDMENT, LINKAGE ARM, MAVERICK
15	02981424	8	CONNEX BUSHING, 1 3/4 X 1 1/2 X 3
16	02981420	4	CONNEX BUSHING, 2 1/4 X 2 X 3
17	02981425	1	WELDMENT, PIN, TILT CYINDER, MAVERICK
18	02981734	3	WELDMENT, CYLINDER PIN, MAVERICK
19	02981294	1	WELDMENT, PIN, LIFT/ DIPPER
20	02985273	1	ASSEMBLY, TILT CYLINDER COVER
21	165020	1	PIN, COTTER 5/16 X 2-1/2 PL
22	02981702	1	SLOTTED NUT, 1-1/2 NF
23	00023100	4	HHCS 3/8 X 1-1/2 NC PL GR5
24	00754108	1	HHCS 1 NC 4 1/2 PL8
25	02782100	1	HHCS 1 NC 2 3/4 PL8
26	02982454	10	SHCS 1/2 NC X 7/8
27	02776600	1	HHCS 1/2 NC X 1 1/4 PL8
28	00015800	10	LOCKNUT TLM 3/8 NC PLC
29	02030300	2	NUT TOPLOCK 1 NC PL8
30	00001800	1	LOCKNUT TLM 1/2 NC PLB
31	00059700	6	FSCS 3/8 NC X 1-1/4
32	63149100	4	ADP, HYD ELBOW 6MB-6MJ 90
33	00752670	11	GREASE FITTING 1/4-28 BOLT THD
34	000941	1	GREASE ZERK 1/4-28 90 BOLT THD
35	02981199	1	ADAPTER 12MJ - 12MJ 45 BULKHEAD
36	02742400	2	ADAPTER 12MJ - 12MJ 90 BULKHEAD
37	02742500	4	ADAPTER 16MJ - 16MJ 90 BULKHEAD
38	02919400	2	ADAPTER 16MJ - 16MJ 45 BULKHEAD
39	02965448	4	ADP, HYD 4MJ -4MJ BULKHEAD
40	001921	1	ADAPTER 6MJ - 6FJX 90

Maverick Boom 24 and 30 FT (08-06) Rev 09-08

BOOM ASY (24 FT BOOM GEN 2) - PN 02986684 (PART 2)

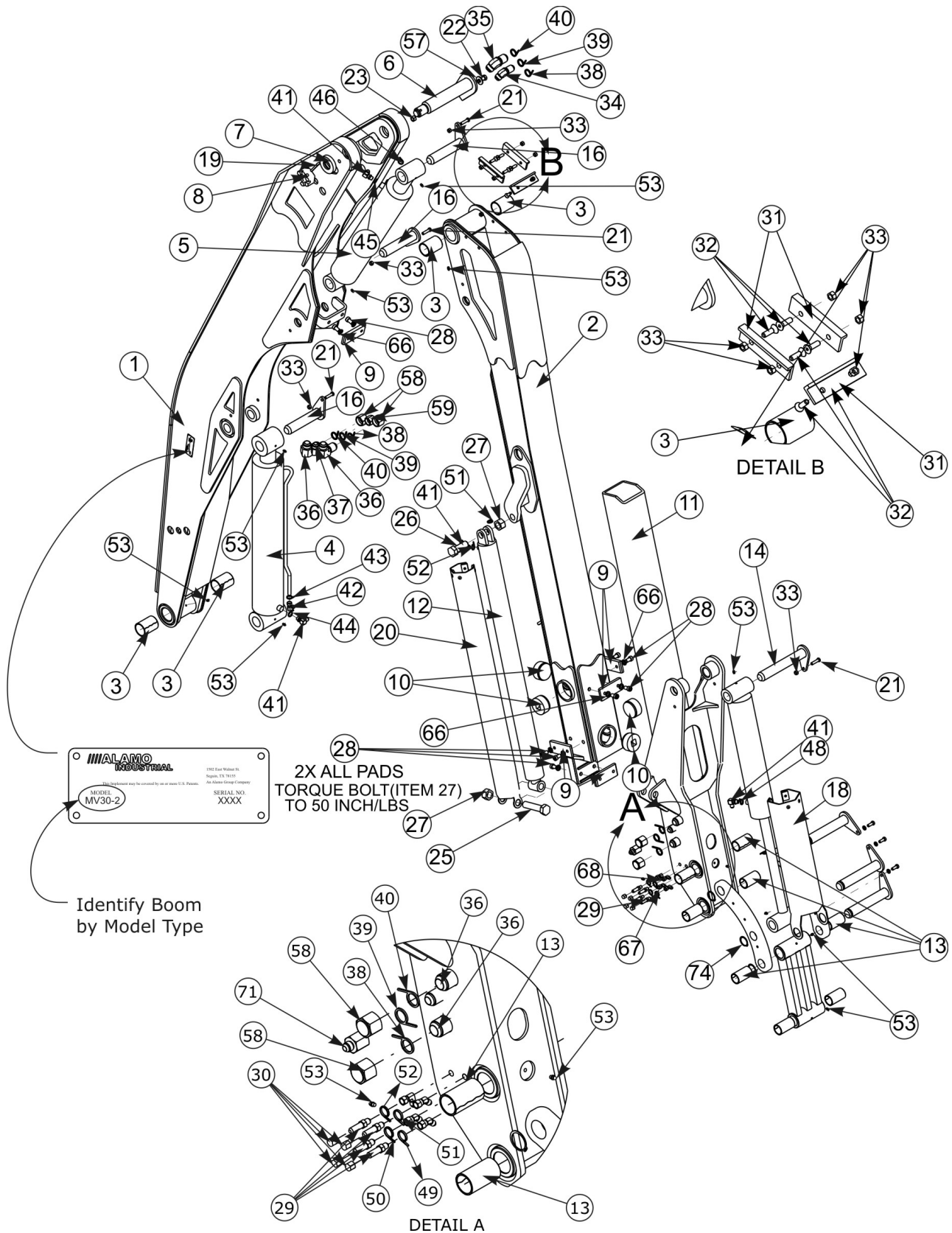


BOOM ASY (24 FT BOOM GEN 2) - PN 02986684 (PART 2)

Continued...

ITEM	PART NO.	QTY.	DESCRIPTION
41	02919600	4	CAP-NUT #4FJ
42	02968894	3	PLASTIC TIE RED 11LG
43	02968895	3	PLASTIC TIE BLUE 11LG
44	02968896	3	PLASTIC TIE ORANGE 11LG
45	02968836	2	PLASTIC TIE YEL 4LG
46	02968837	2	PLASTIC TIE Y/W 4LG
47	02968832	1	PLASTIC TIE GRN 4"
48	02968833	1	PLASTIC TIE G/W 4LG
49	02968829	1	PLASTIC TIE R/W 4LG
50	02968828	1	PLASTIC TIE RED 4LG
51	02968830	1	PLASTIC TIE BLU 4LG
52	02968831	1	PLASTIC TIE B/W 4LG
53	02968834	1	PLASTIC TIE ORG 4LG
54	02968835	1	PLASTIC TIE O/W 4LG
55	02985222	2	PLATE, LINKAGE
56	00002700	1	FLATWASHER 1/2 PL STD
57	02956918	4	CAP,HYD #16FJIC
58	02964952	1	CAP NUT 12FJ
59	02962022	1	ADP HYD ELBOW 4MJ-4FJX90
60	02976532	3	ADP HYD ELBOW 4MJ - 4FJX 45DEG
61	00001300	10	LOCKWASHER,1/2 PLATED
69	00011400	3	HEXB 3/8 NC 1 PL5
70	02986723	1	ADP HYD STGHT 12FJ - 8MJ
71	00769258	3	RETAINING RING.1.5 SHAFT

BOOM ASY (30 FT BOOM GEN 2) - PN 02986683 (PART 1)



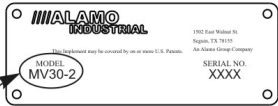
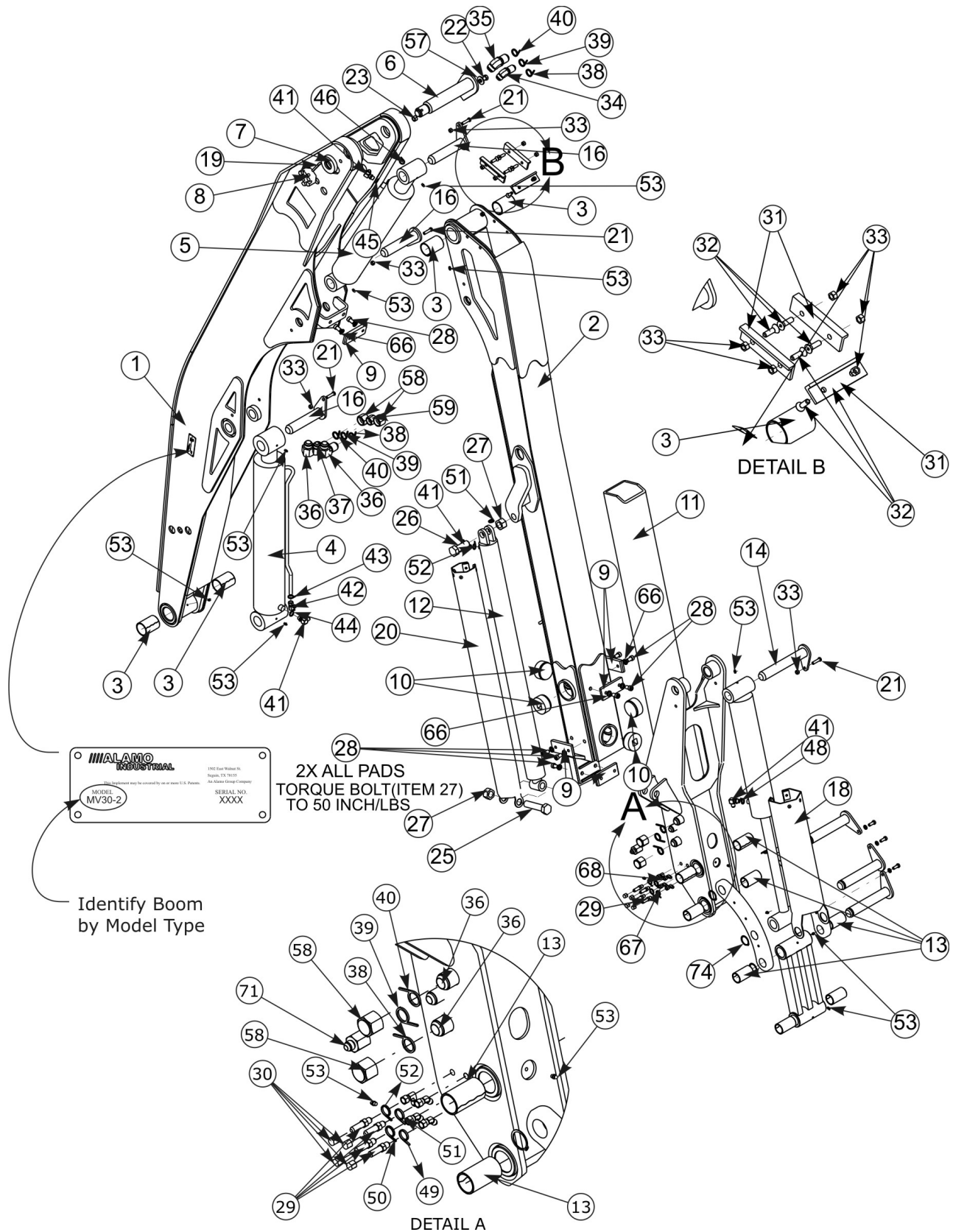
BOOM ASY (30 FT BOOM GEN 2) - PN 02986683 (PART 1)

Continued...

ITEM	PART NO.	QTY.	DESCRIPTION
	02986683	1	ASSEMBLY, 30 MAVERICK II
1	02981298	1	WELDMENT, LIFT, 30 MAVERICK
2	02984661	1	WELDMENT, 30 DIPPER, MAVERICK
3	02981420	4	CONNEX BUSHING, 2 1/4 X 2 X 3
4	02981278	1	CYLINDER, 4.5B X 2.5R X 24.63S
5	02981277	1	CYLINDER, 4.0B X 2.25R X 21.5S
6	02981294	1	WELDMENT, PIN, LIFT/ DIPPER
7	02981273	1	SPACER, PIN, DIPPER, MAVERICK
8	02981702	1	SLOTTED NUT, 1-1/2 NF
9	02982455	5	SLIDE BLOCK, DIPPER, MAVERICK 1/2-13
10	02981740	4	SLIDE PUCK, DIPPER, MAVERICK
11	02985388	1	WELDMENT, TELESCOPING, AXTREME 28
12	02981276	1	CYLINDER, 2.5B X 1.5R X 36.0S
13	02981424	8	CONNEX BUSHING, 1 3/4 X 1 1/2 X 3
14	02981425	1	WELDMENT, PIN, TILT CYINDER, MAVERICK
15	02986074	1	WELDMENT, LINKAGE
16	02981734	3	WELDMENT, CYLINDER PIN, MAVERICK
17	02984944	1	CYLINDER, 3.5B X 1.5R X 16.0S
18	02985273	1	ASSEMBLY, TILT CYLINDER COVER
19	165020	1	PIN, COTTER 5/16 X 2-1/2 PL
20	02981700	1	ASSEMBLY, EXTENSION CYLINDER GUARD, MAVERICK
21	00023100	4	HHCS 3/8 X 1-1/2 NC PL GR5
22	02776600	1	HHCS 1/2 NC X 1 1/4 PL8
23	00001800	1	LOCKNUT TLM 1/2 NC PLB
24	02985220	3	WELDMENT, PIN, LINKAGE
25	00754108	1	HHCS 1 NC 4 1/2 PL8
26	02782100	1	HHCS 1 NC 2 3/4 PL8
27	02030300	2	NUT TOPLOCK 1 NC PL8
28	02982454	10	SHCS 1/2 NC X 7/8
29	02965448	4	ADP, HYD 4MJ -4MJ BULKHEAD
30	02919600	4	CAP, HYD 4FJ
31	02981802	3	WEAR SLIDE, DIPPER
32	00059700	6	FSCS 3/8 NC X 1-1/4
33	00015800	10	LOCKNUT TLM 3/8 NC PLC
34	02981199	1	ADAPTER 12MJ - 12MJ 45 BULKHEAD
35	02919400	2	ADAPTER 16MJ - 16MJ 45 BULKHEAD
36	02742500	4	ADAPTER 16MJ - 16MJ 90 BULKHEAD
37	02742400	2	ADAPTER 12MJ - 12MJ 90 BULKHEAD
38	02968894	3	PLASTIC TIE, RED, 11LG
39	02968895	3	PLASTIC TIE, BLUE, 11LG
40	02968896	3	PLASTIC TIE, ORANGE, 11LG

Maverick Boom 24 and 30 FT (08-06) Rev 09-08

BOOM ASY (30 FT BOOM GEN 2) - PN 02986683 (PART 2)

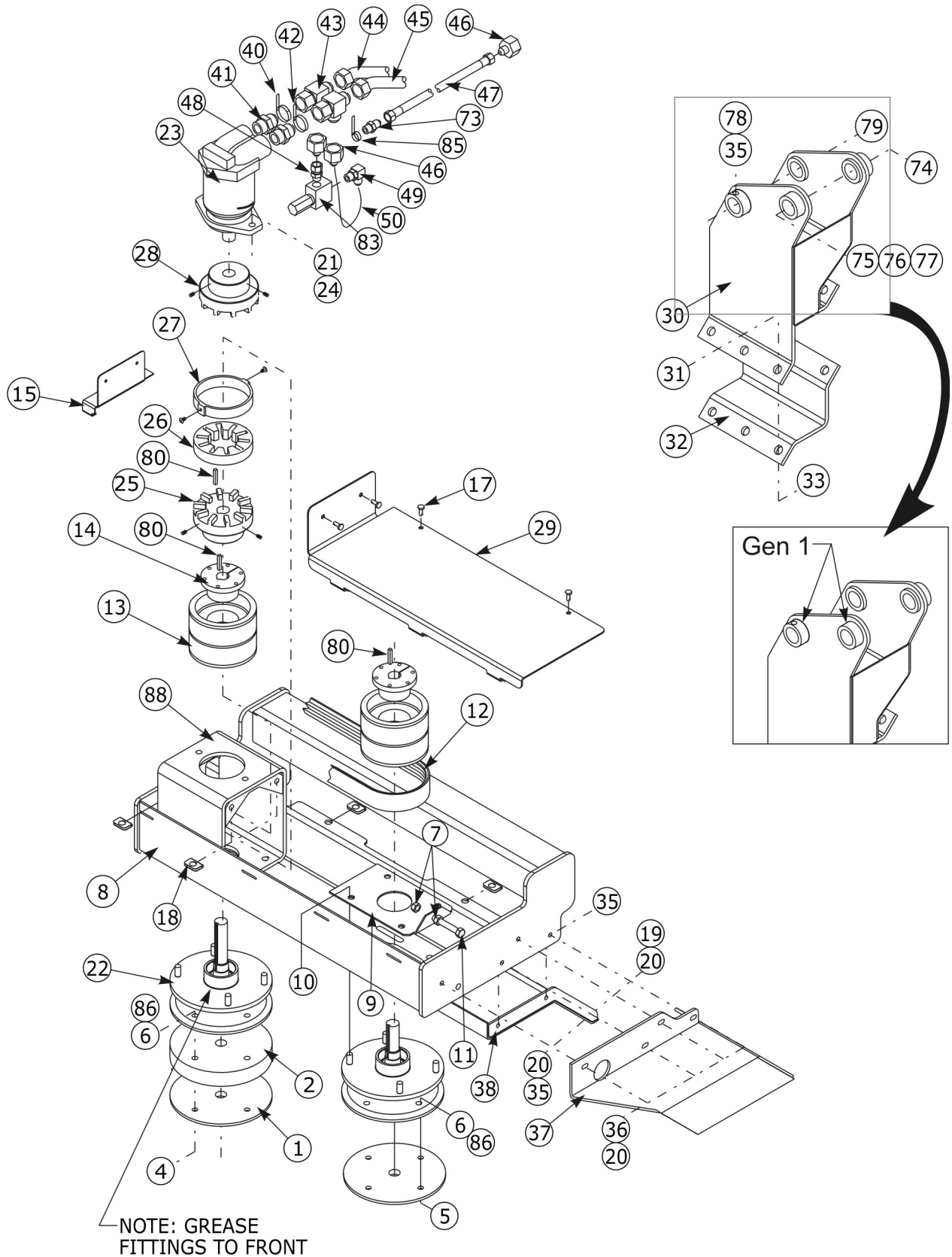


BOOM ASY (30 FT BOOM GEN 2) - PN 02986683 (PART 2)

Continued...

ITEM	PART NO.	QTY.	DESCRIPTION
41	63149100	4	ADP HYD ELBOW 6MB-6MJ90
42	001921	1	ADP HYD ELBOW 6MJ - 6FJX 90
43	02968834	1	PLASTIC TIE ORG 4LG
44	02968835	1	PLASTIC TIE O/W 4LG
45	02968830	1	PLASTIC TIE BLU 4LG
46	02968831	1	PLASTIC TIE B/W 4LG
47	02968829	1	PLASTIC TIE R/W 4LG
48	02968828	1	PLASTIC TIE RED 4LG
49	02968832	1	PLASTIC TIE GRN 4"
50	02968833	1	PLASTIC TIE G/W 4LG
51	02968836	2	PLASTIC TIE YEL 4LG
52	02968837	2	PLASTIC TIE Y/W 4LG
53	00752670	11	FITTING,GREASE STRAIGHT 1/4-28
54	000941	1	GREASE FITTING,1/4-28X90
55	02985222	2	PLATE, LINKAGE
57	00002700	1	FLATWASHER 1/2 PL STD
58	02956918	4	CAP,HYD #16FJIC
59	02964952	1	CAP NUT 12FJ
66	00001300	10	LOCKWASHER,1/2 PLATED
67	02976532	3	ADP HYD ELBOW 4MJ - 4FJX 45DEG
68	02962022	1	ADP HYD ELBOW 4MJ-4FJX90
69	00011400	3	HEXB 3/8 NC 1 PL5
70	03101646	3	LOCKWASHER 3/8
71	02986723	1	ADP HYD STGHT 12FJ - 8MJ
74	00769258	3	RETAINING RING.1.5 SHAFT

BUZZ BAR ASY - 48 IN HEAD GEN 1 (PART 1)

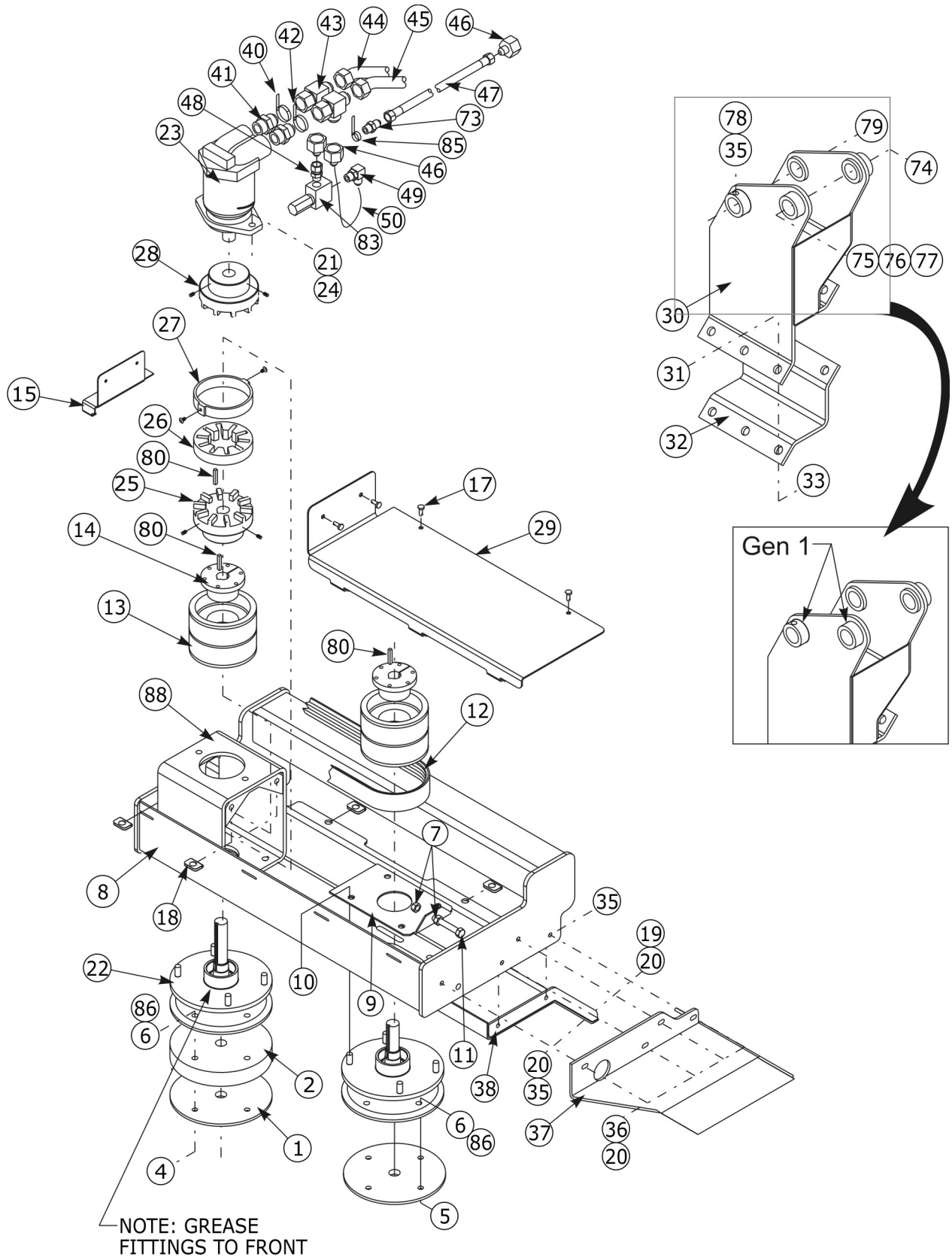


BUZZ BAR ASY - 48 IN HEAD GEN 1 (PART 1)

Continued...

ITEM	PART NO.	QTY.	DESCRIPTION
	02979265	1	ASY 2 BLADE SAW HEAD
1	02974237	2	END CAP
2	02974238	1	SPACER
3	02974235	1	ASY SPINDLE
4	02974659	4	CSSH 1/2 NC 3-1/2
5	02974658	4	CSSH 1/2 NC 2
6	02976017	8	NUT, SLOTTED 1/2 NC PLB
7	00001200	2	NUT 1/2 NC HEX PL
8	02979269	1	USE 02983631
9	02974225	1	BRACKET TENSION ADJUSTMENT
10	00750614	8	NUT 1/2-20NF 90DEG.CONE LUG PL
11	002521	1	HHCS 1/2 NC 3-1/2 PL5
12	02974241	1	BELT POLY-V 615L10
13	02974239	2	SHEAVE POLY-V 20L6.00 W/GROOVE
14	02974240	2	BUSHING QD-SK 1-1/8
15	02979271	1	SHEET, BELT COVER, LEFT 2
16	02984678	7	STUD 9MM 1/4 TURN
18	02984677	7	SLIP ON RECEPTACLE 9MM
19	00011400	1	HEXB 3/8 NC 1 PL5
20	00011100	10	FLATWASHER STD 3/8
21	00001800	6	LOCKNUT TLM 1/2 NC PLB
22	02978249	1	ASY,DRIVE SPINDLE
23	8301295	1	MOTOR,PISTON-2.48 CU.IN./REV
24	00749130	8	HHCS 1/2-13UNC 1-3/4 PL5
25	02978267	1	HUB 20R10 1-1/8 BORE 1/4 KEY
26	02978268	1	INSERT, URETHANE FOR 20R10
27	02978269	1	COVER, PROTECTIVE NYLON FOR
28	02978270	1	HUB 20R10 1-1/8 BORE 5/16 KEY
29	02979296	1	SHEET, BELT COVER SHORT
30	02976149	1	WLDMT HITCH POST
31	00037200	6	NUT 3/4-NC TOPLOCK GRC PL
32	02970324	1	PLATE,HITCH POST CLAMP
33	02918600	6	HEXB 3/4-10UNC 2 PL8
34	02979272	1	WELDMENT, MOUNT TUBE, 2 BLADE
35	00015800	9	LOCKNUT TLM 3/8-NC PLC
36	00023100	8	HHCS 3/8 -16UNC 1-1/2 PL5
37	02974207	1	BUMPER
38	02979274	1	WELDMENT, REAR SHIELD,
39	02975600	2	SAW BLADE PACKAGE OF 2
40	02968894	1	PLASTIC TIE RED 11LG

BUZZ BAR ASY - 48 IN HEAD GEN 1 (PART 2)

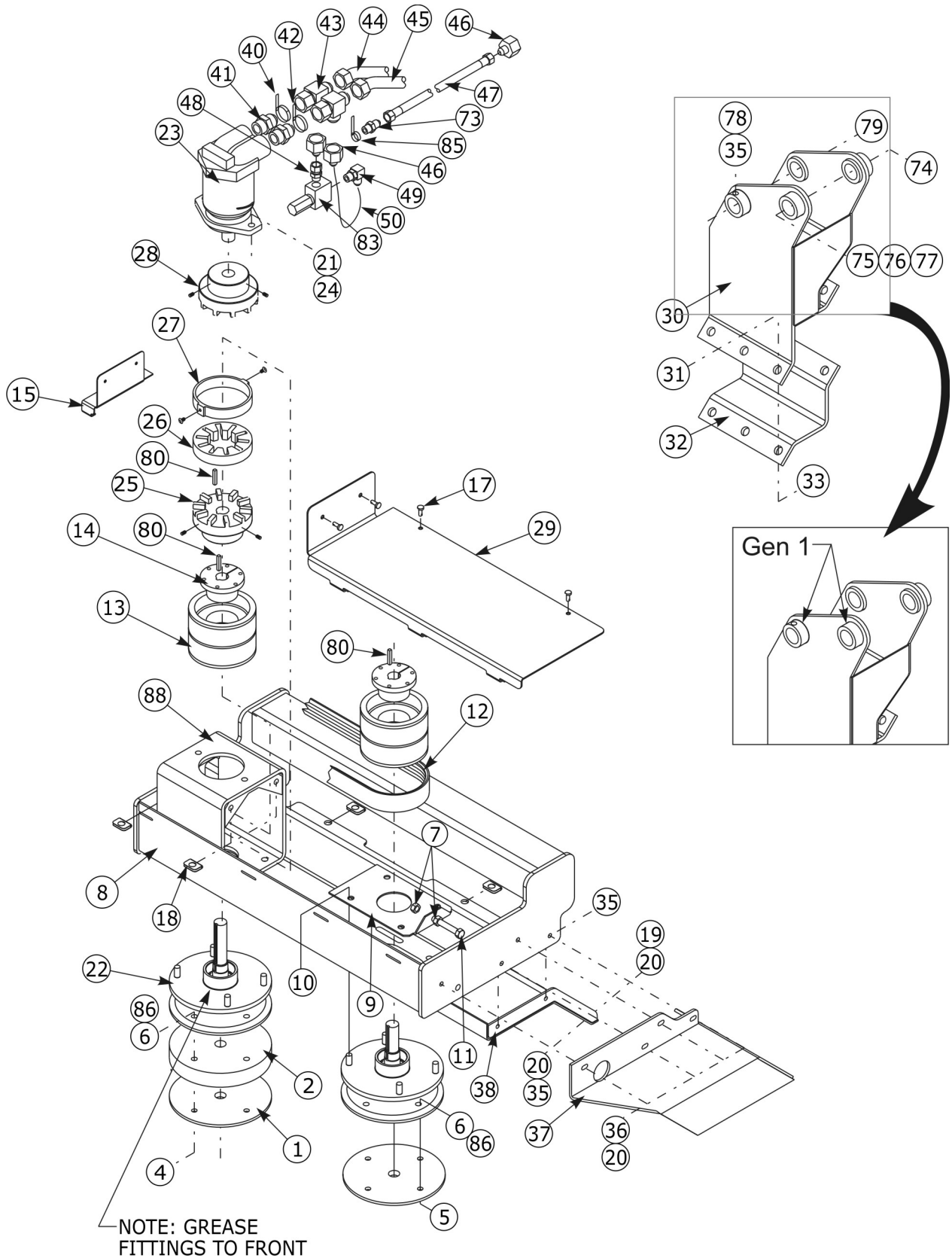


BUZZ BAR ASY - 48 IN HEAD GEN 1 (PART 2)

Continued...

ITEM	PART NO.	QTY.	DESCRIPTION
41	02957622	2	ADP HYD STGHT 16MB-16MJ
42	02968896	1	PLASTIC TIE ORANGE 11LG
43	02970466	2	ADP HYD TEE 16FJX-16MJ-16MJ
44	02975437	1	HOSE #16-16FJX -16FJX45- 74LG
45	02969678	1	HOSE #16-16FJX -16FJX45- 74LG
46	02969464	3	ADP HYD STGHT 16FJ-8MJ
47	02972981	1	HOSE #8 - 8FJX - 8FJX - 80LG
48	02975438	1	ADP HYD STGHT 8MB - 8FJX
49	02962213	1	ADP HYD ELBOW 8MB - 8MJ 90?
50	02158800	1	HOSE #8 - 8FJX - 8FJX - 17LG
	02158800	1	HOSE #8 - 8FJX - 8FJX - 17LG
51	00758194	1	DECAL,WARNING BELT SHIELD
52	00769736	1	DECAL,USE/REPAIR GUARDS
53	00769737	1	DECAL-BLADES THROWN OBJECTS
54	02925100	1	DECAL-REPLACEMENT PARTS
55	02958241	1	DECAL-TRACTOR OPERATOR SAFETY
56	02962764	1	DECAL - PINCH POINTS
57	00756004	1	DECAL-SHIELD MISSING
58	02965262	1	DECAL-,WARNING OIL LEAK
59	02967827	1	DECAL, MULTI-HAZARD
60	02960766	1	DECAL,ALAMO INDUSTRIAL LOGO
61	02974998	1	DECAL BUZZBAR
62	D138	1	DECAL,CW BLADE ROTATION
63	02975158	1	DECAL HEAR PROTECTION REQD
64	02975170	1	DECAL ROTATING BLADES
65	02975515	1	DECAL WARNING DISCONNECT
66	02975516	1	DECAL NO HITCH POST HERE
68	02975513	1	PLATE SERIAL NUMBER BB90
69	3710151	4	METAL TACK
71	1458392	1	DECAL,RED REFLECTOR
72	1458393	1	DECAL,YELLOW REFLECTOR
73	00696800	1	ADP HYD STGHT 8MB-8MJ
74	02971720	1	WELDMENT, PIN - 11-1/2LG
75	02971702	1	FLATWASHER 1-3/8 TYPE B NARROW
76	02971701	1	NUT SLOT 1-3/8 12NF PLB
77	165020	1	PIN, COTTER 5/16 X 2-1/2 PL
78	02970595	1	HHCS 3/8 NC 2-3/4 PL8
79	02971756	1	PIN, 1-1/2 X 9 CHROME
80	02669600	3	KEY 1/4 SQ X 1 1/4 LG.
81	02961134	1	DECAL- PATENT PENDING

BUZZ BAR ASY - 48 IN HEAD GEN 1 (PART 3)

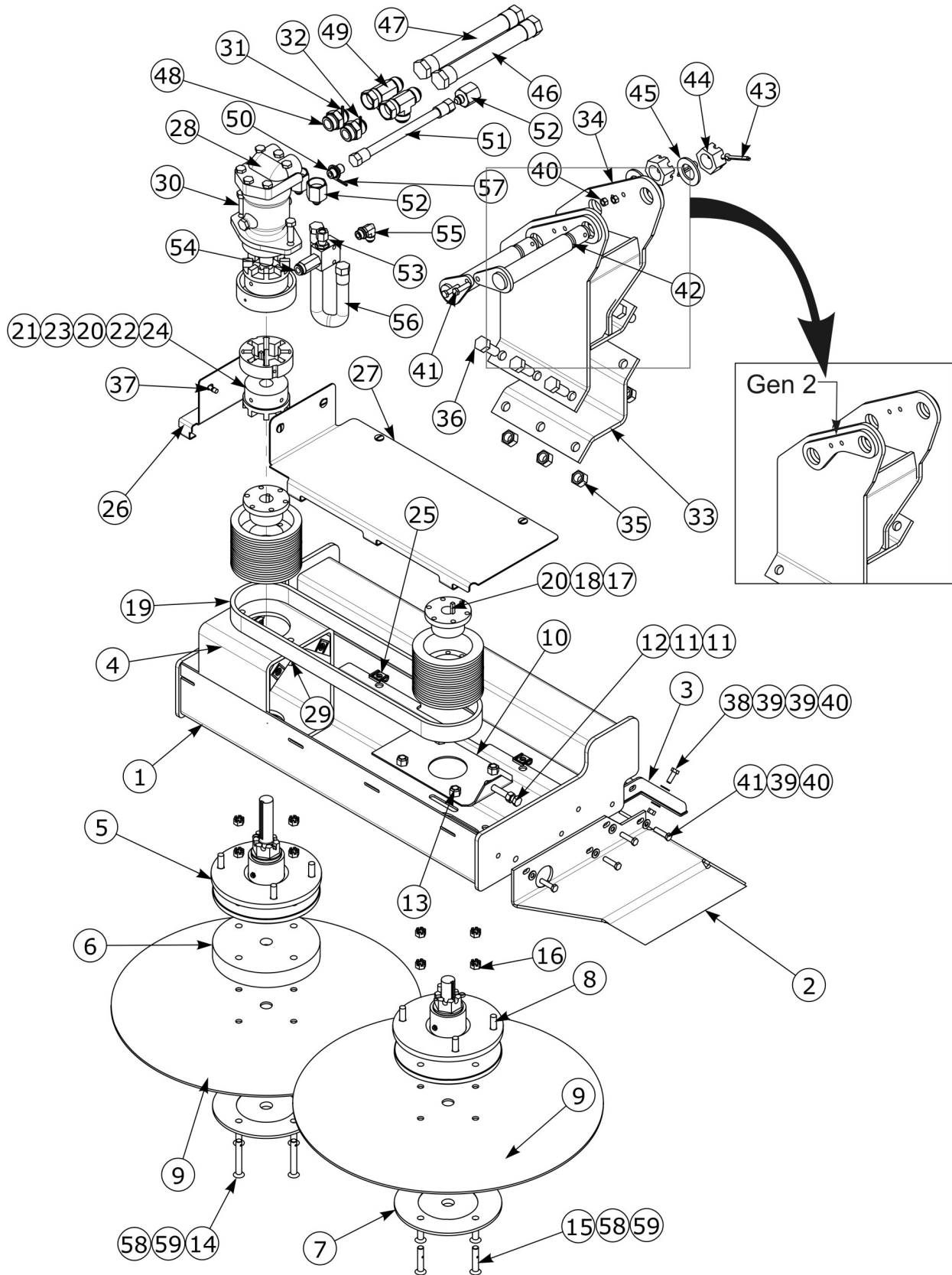


BUZZ BAR ASY - 48 IN HEAD GEN 1 (PART 3)

Continued...

ITEM	PART NO.	QTY.	DESCRIPTION
82	02975928	1	INSERT SHEET BUZZBAR MACHETE
83	02975964	1	ASY RELIEF MANIFOLD 2900 PSI
84	02919600	2	CAP-NUT #4FJ
85	02968895	1	PLASTIC TIE BLUE 11LG
86	40010000	8	PIN, COTTER 1/8 X1
87	63000500	8	WASHER, FLAT, PLATED
88	02979262	1	MACHINED TUBE, MOTOR MOUNT

BUZZ BAR ASY - 48 IN HEAD GEN 2 (PART 1)



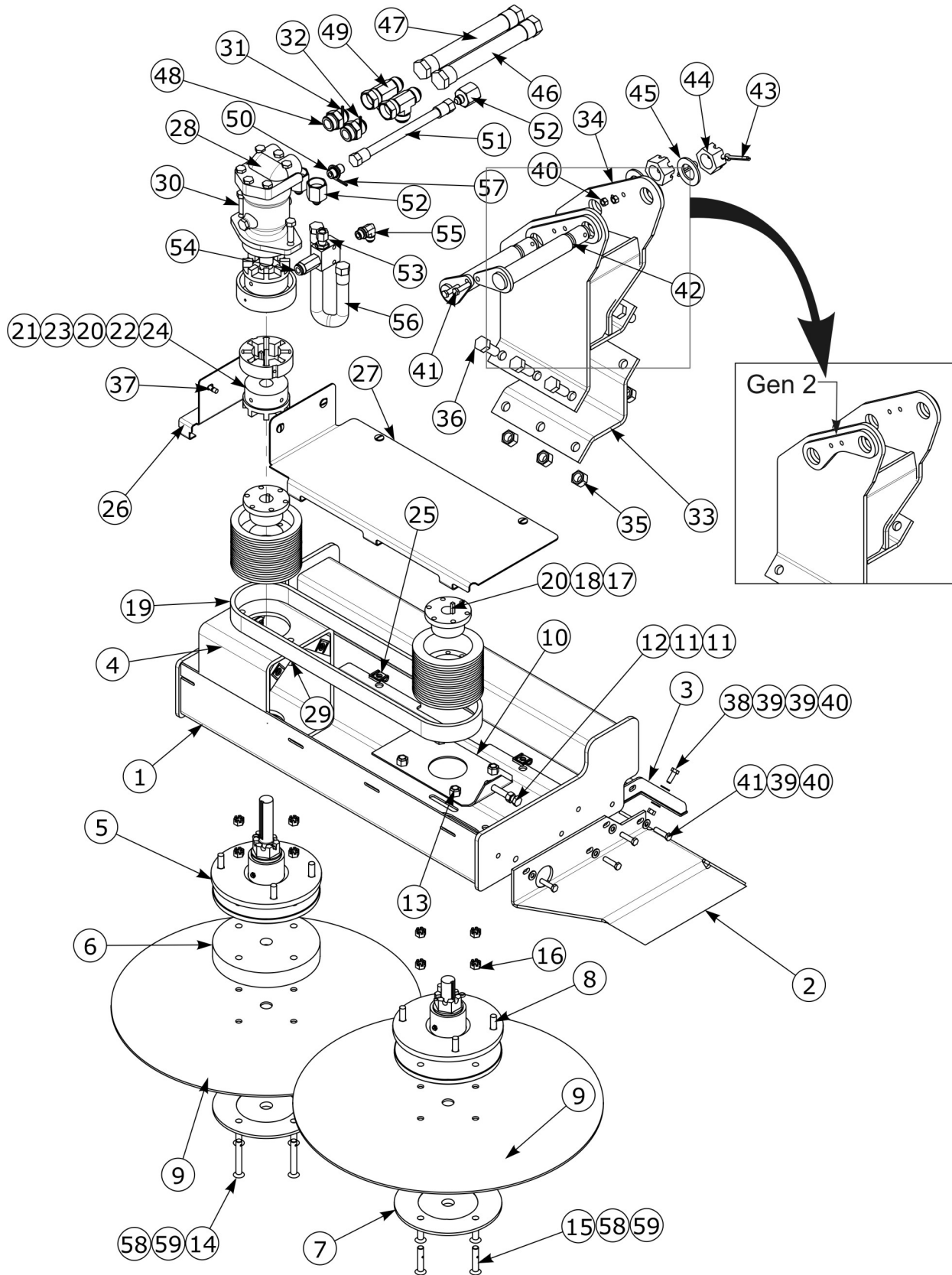
BUZZ BAR ASY - 48 IN HEAD GEN 2 (PART 1)

Continued...

ITEM	PART NO.	QTY.	DESCRIPTION
	02986236	1	ASY, 2 BLADE BUZZBAR, PISTON
1	02983631	1	WELDMENT, SAW BODY 2 BLADE
2	02974207	1	BUMPER
3	02979274	1	WLDMT, REAR SHIELD 2 BLADE
4	02979262	1	MACHINED TUBE, MOTOR MOUNT
5	02978249	1	ASSEMBLY, SPINDLE SHAFT
6	02974238	1	BLADE SPACER
7	02974237	2	PLATE, SHAFT END CAP
8	02974235	1	HUB ASSY
9	02974236	2	BLADES
10	02974225	1	BRACKET TENSION ADJUST
11	00001200	2	NUT HEX 1/2 NC
12	002521	1	HHCS 1/2 NC 3-1/2, FULL THREAD
13	00750614	8	NUT 1/2 NF
14	02974659	4	FLAT SOCKET HEAD 1/2 NC X 3-1/2 W/ HOLE
15	02974658	4	FLAT SOCKET HEAD 1/2 NC X 2" W/ HOLE
16	02976017	8	SLOT NUT
17	02974239	2	SHEAVE
18	02974240	2	QD BUSHING
19	02974241	1	BELT, MICRO-V
20	02669600	3	SQ KEY
21	02978267	1	HUB, 20R10 W/1-1/8" BORE
22	02978268	1	INSERT, URETHANE
23	02978269	1	COVER, NYLON
24	02978270	1	HUB, 20R10 W/1-1/8" BORE
25	02984677	7	SLIP ON RECEPTACLE 9MM
26	02979271	1	SHEET, BELT COVER, LEFT 2 BLADE
27	02979296	1	BELT COVER, SHORT
28	8301295	1	PISTON MOTOR
29	00001800	2	LOCKNUT TLM 1/2 NC PLB
30	00749130	2	HHCS 1/2 -13UNC 1 3/4 PL5
31	02968894	1	PLASTIC TIE, RED, 11LG
32	02968896	1	PLASTIC TIE, ORANGE, 11LG
33	02970324	1	PLATE-CLAMP, HITCHPOST
34	02986218	1	WELDMENT, HITCHPOST
35	00037200	6	NUT 3/4 NC LOCKNUT
36	02918600	6	HHCS 3/4 NC 2 PL8
37	02984678	7	STUD 9MM 1/4 TURN
38	00011400	1	BOLT, HHCS 3/8 NC 1 PL5
39	00011100	10	FLATWASHER 3/8 STD
40	00015800	11	LOCKNUT TLM 3/8 NC PLC

Maverick Boom 24 and 30 FT (08-06) Rev 09-08

BUZZ BAR ASY - 48 IN HEAD GEN 2 (PART 2)

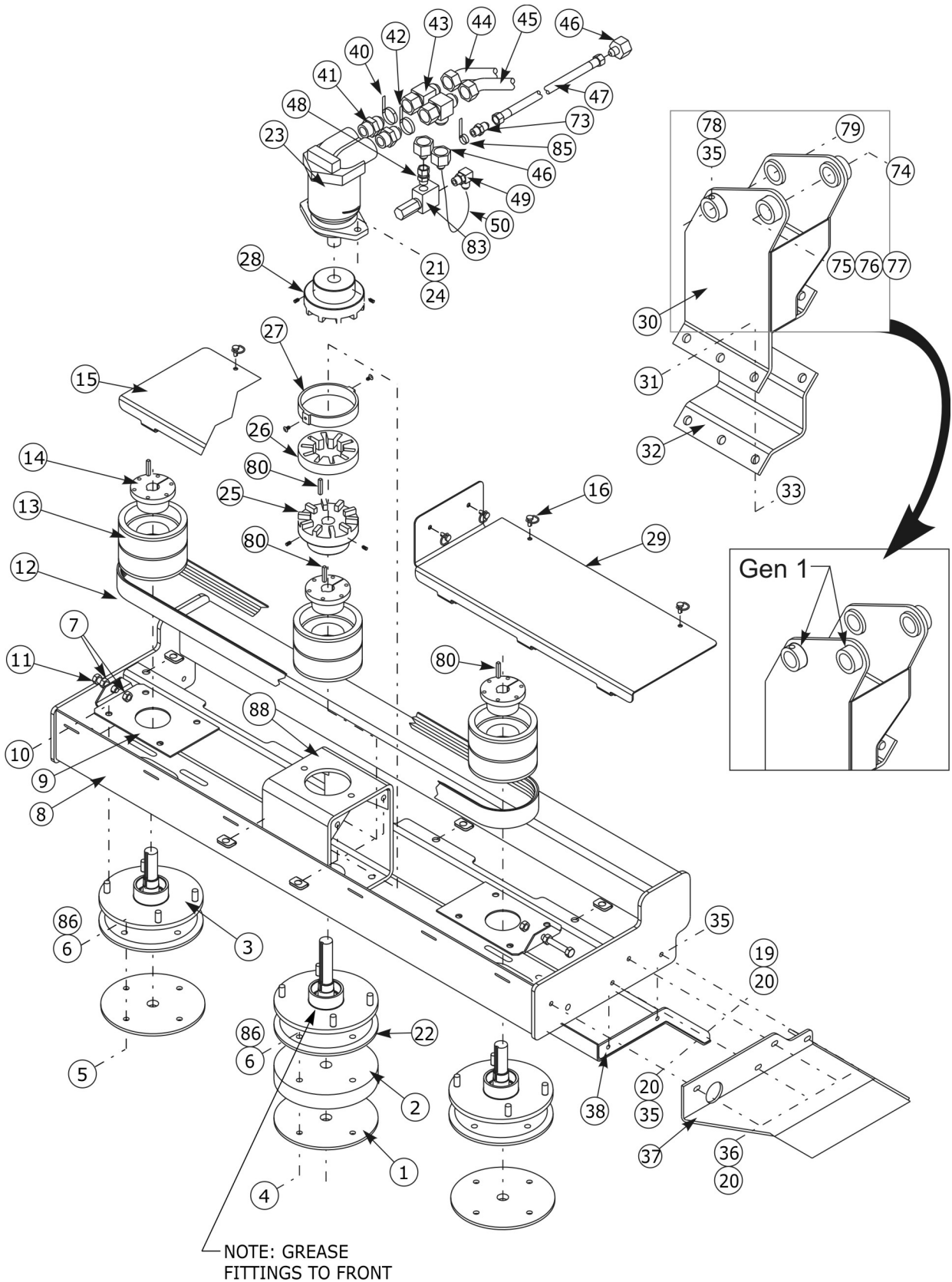


BUZZ BAR ASY - 48 IN HEAD GEN 2 (PART 2)

Continued...

ITEM	PART NO.	QTY.	DESCRIPTION
41	00023100	10	HHCS 3/8 -16UNC 1-1/2 PL5
42	02981757	2	WELDMENT, PIN, HITCH POST
43	165020	2	PIN, COTTER 5/16 X 2-1/2 PL
44	02971701	2	NUT SLOT 1-3/8 12NF PLB
45	02971702	2	FLATWASHER 1-3/8 TYPE B NARROW
46	02969678	1	HOSE #16-16FJX -16FJX45- 74LG
47	02975437	1	HOSE #16-16FJX -16FJX45- 74LG
48	02957622	2	ADP HYD STGHT 16MB-16MJ
49	02970466	2	ADP HYD TEE 16FJX-16MJ-16MJ
50	00696800	1	ADP HYD STGHT 8MB-8MJ
51	02972981	1	HOSE #8 - 8FJX - 8FJX - 80LG
52	02969464	3	ADP HYD STGHT 16FJ-8MJ
53	02975438	1	ADP HYD STGHT 8MB - 8FJX
54	02975964	1	ASY RELIEF MANIFOLD 2900 PSI
55	02962213	1	ADP HYD ELBOW 8MB - 8MJ 90?
56	02158800	1	HOSE #8 - 8FJX - 8FJX - 17LG
57	02968895	1	PLASTIC TIE BLUE 11LG
58	63000500	8	WASHER, FLAT, PLATED
59	40010000	8	PIN, COTTER 1/8 X1
	02961085	1	CORDURA SLEEVING-54 LG

BUZZ BAR ASY - 69 IN HEAD GEN 1 (PART 1)



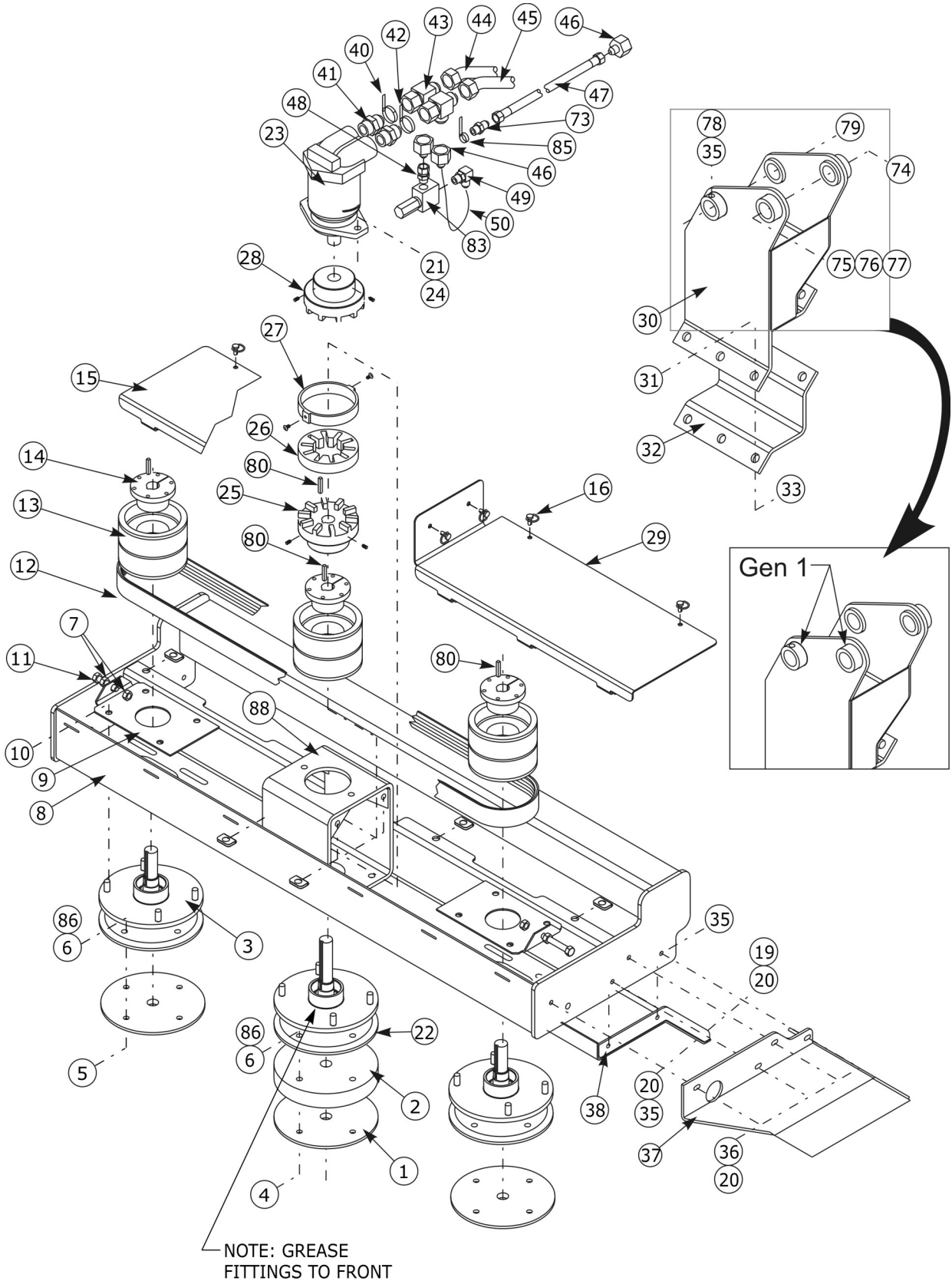
BUZZ BAR ASY - 69 IN HEAD GEN 1 (PART 1)

Continued...

ITEM	PART NO.	QTY.	DESCRIPTION
	02979249	1	SAW BLADE HEAD ASY, 69" (3 BLADE)
1	02974237	3	END CAP
2	02974238	1	BLADE SPACER
3	02974235	2	SPINDLE ASY
4	02974659	4	BOLT, SOCKET CNTR-SNK 1/2"-NC X 3-1/2" W/HOLE
5	02974658	8	BOLT, SOCKET CNTR-SNK 1/2"-NC X 2" W/HOLE
6	02976017	12	SLOTTED NUT, 1/2"-NC PLB
7	00001200	6	HEX NUT, 1/2"-NC PL
8	02979253	1	SAW BODY WELDMENT, 3 BLADE
9	02974225	3	TENSION ADJUSTMENT BRACKET
10	00750614	16	CONE LUG NUT, 1/2"-20NF 90DEG PL
11	002521	3	BOLT, HEX HEAD 1/2"-NC X 3-1/2" PL GR5
12	02974241	3	V-BELT
13	02974239	3	SHEAVE, W/GROOVE
14	02974240	3	BUSHING, QD
15	02979255	1	SHEET, BELT COVER, LEFT 3 BLADE
16	02975441	9	STUD, QUICK RELEASE W/RING
17	02975440	9	RETAINER, F/QUICK RELEASE
18	02975439	9	RECEIVER, F/ QUICK RELEASE
19	00011400	1	BOLT, HEX HEAD 3/8"-NC X 1 PL GR5
20	00011100	10	FLATWASHER, 3/8" PL STD
21	00001800	6	LOCKNUT, 1/2"-NC PLB
22	02978249	1	DRIVE SPINDLE ASY.
23	8301295	1	MOTOR, PISTON-2.48 CU.IN./REV
24	00749130	8	BOLT, HEX HEAD 1/2"-13NC X 1-3/4" PL GR5
25	02978267	1	HUB, 1-1/8" BORE X 1/4" KEY
26	02978268	1	INSERT, URETHANE
27	02978269	1	COVER, PROTECTIVE NYLON
28	02978270	1	HUB, 1-1/8" BORE X 5/16" KEY
29	02979296	1	BELT COVER, SHORT
30	02976149	1	HITCH POST WELDMENT
31	00037200	6	LOCKNUT, 3/4"-NC PLC
32	02970324	1	PLATE, HITCH POST CLAMP
33	02918600	6	BOLT, HEX HEAD 3/4"-10NC X 2" PL GR8
34	02979256	1	HITCH TUBE WELDMENT, 3 BLADE
35	00015800	9	LOCKNUT, 3/8"-NC PLB
36	00023100	8	BOLT, HEX HEAD 3/8"-16NC X 1-1/2" PL GR5
37	02974207	1	BUMPER
38	02979258	1	REAR SHIELD WELDMENT
39	02975600	1	SAW BLADE PACKAGE OF 2
40	02968894	1	PLASTIC TIE, 11" LG

Maverick Boom 24 and 30 FT (08-06) Rev 09-08

BUZZ BAR ASY - 69 IN HEAD GEN 1 (PART 2)

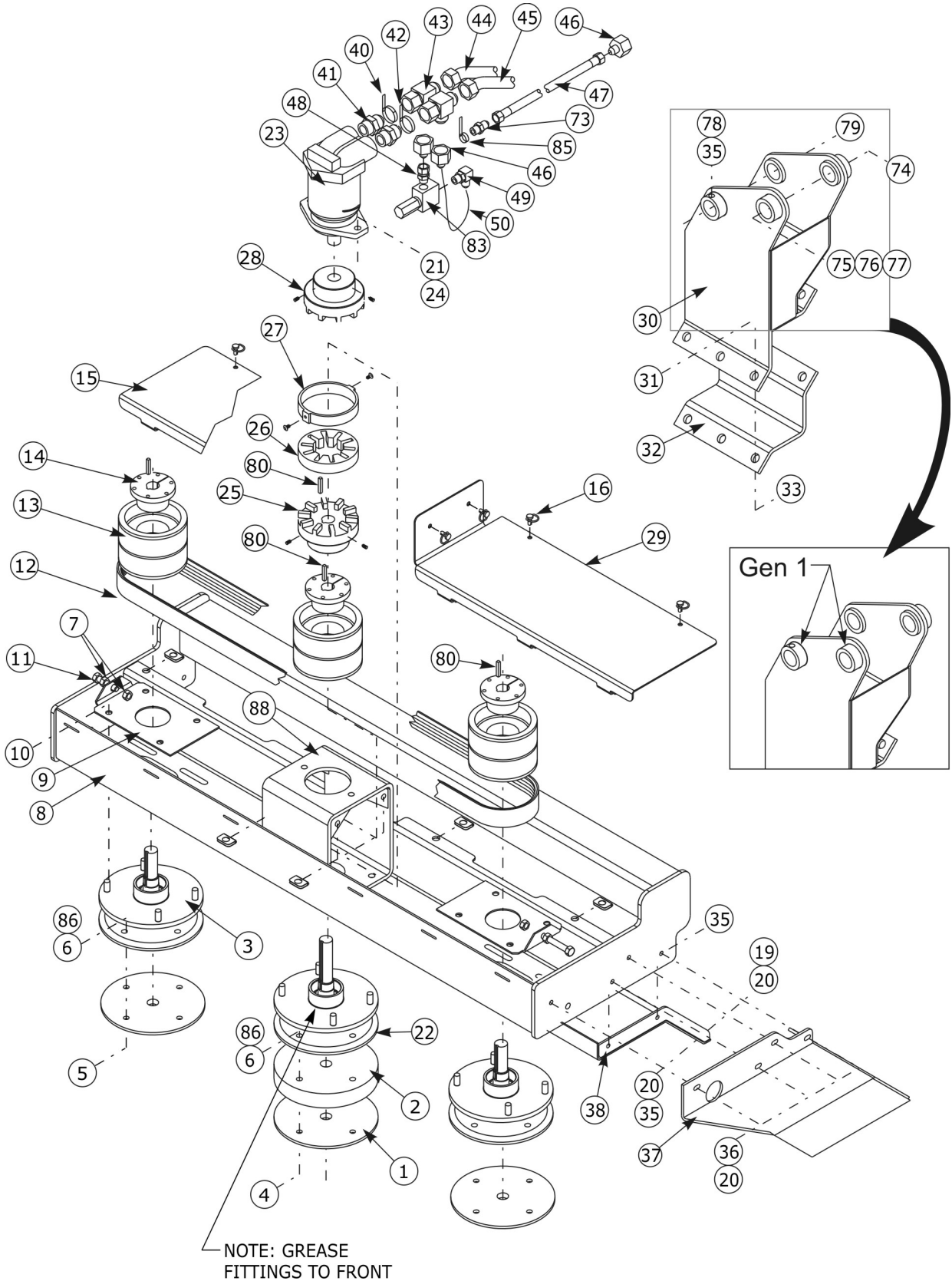


BUZZ BAR ASY - 69 IN HEAD GEN 1 (PART 2)

Continued...

ITEM	PART NO.	QTY.	DESCRIPTION
41	02957622	2	ADP HYD STGHT 16MB-16MJ
42	02968896	1	PLASTIC TIE ORANGE 11LG
43	02970466	2	ADP HYD TEE 16FJX-16MJ-16MJ
44	02975437	1	HOSE #16-16FJX -16FJX45- 74LG
45	02969678	1	HOSE #16-16FJX -16FJX45- 74LG
46	02969464	3	ADP HYD STGHT 16FJ-8MJ
47	02972981	1	HOSE #8 - 8FJX - 8FJX - 80LG
48	02975438	1	ADP HYD STGHT 8MB - 8FJX
49	02962213	1	ADP HYD ELBOW 8MB - 8MJ 90°
50	02158800	1	HOSE #8 - 8FJX - 8FJX - 17LG
51	00758194	1	DECAL,WARNING BELT SHIELD
52	00769736	1	DECAL,USE/REPAIR GUARDS
53	00769737	1	DECAL-BLADES THROWN OBJECTS
54	02925100	1	DECAL-REPLACEMENT PARTS
55	02958241	1	DECAL-TRACTOR OPERATOR SAFETY
56	02962764	1	DECAL - PINCH POINTS
57	00756004	1	DECAL-SHIELD MISSING
58	02965262	1	DECAL- WARNING HOSE BURST
59	02967827	1	DECAL, MULTI-HAZARD
60	02960766	2	DECAL,ALAMO INDUSTRIAL LOGO
61	02974998	1	DECAL BUZZBAR
62	D138	1	DECAL,CW BLADE ROTATION
63	02975158	1	DECAL HEAR PROTECTION REQD
64	02975170	1	DECAL ROTATING BLADES
65	02975515	1	DECAL WARNING DISCONNECT
66	02975516	1	DECAL NO HITCH POST HERE
70	02979546	1	DECAL, ALAMO IND. GREEN &BLACK
71	1458392	1	DECAL,RED REFLECTOR
72	1458393	1	DECAL,YELLOW REFLECTOR
73	00696800	1	ADP HYD STGHT 8MB-8MJ
74	02971720	1	WELDMENT, PIN - 11-1/2LG
75	02971702	1	FLATWASHER 1-3/8 TYPE B NARROW
76	02971701	1	NUT SLOT 1-3/8 12NF PLB
77	165020	1	PIN, COTTER 5/16 X 2-1/2 PL
78	02970595	1	HHCS 3/8 NC 2-3/4 PL8
79	02971756	1	PIN, 1-1/2 X 9 CHROME
80	02669600	4	KEY 1/4 SQ KEY 1 1/4 LG.
81	02961134	1	DECAL- PATENT PENDING

BUZZ BAR ASY - 69 IN HEAD GEN 1 (PART 3)

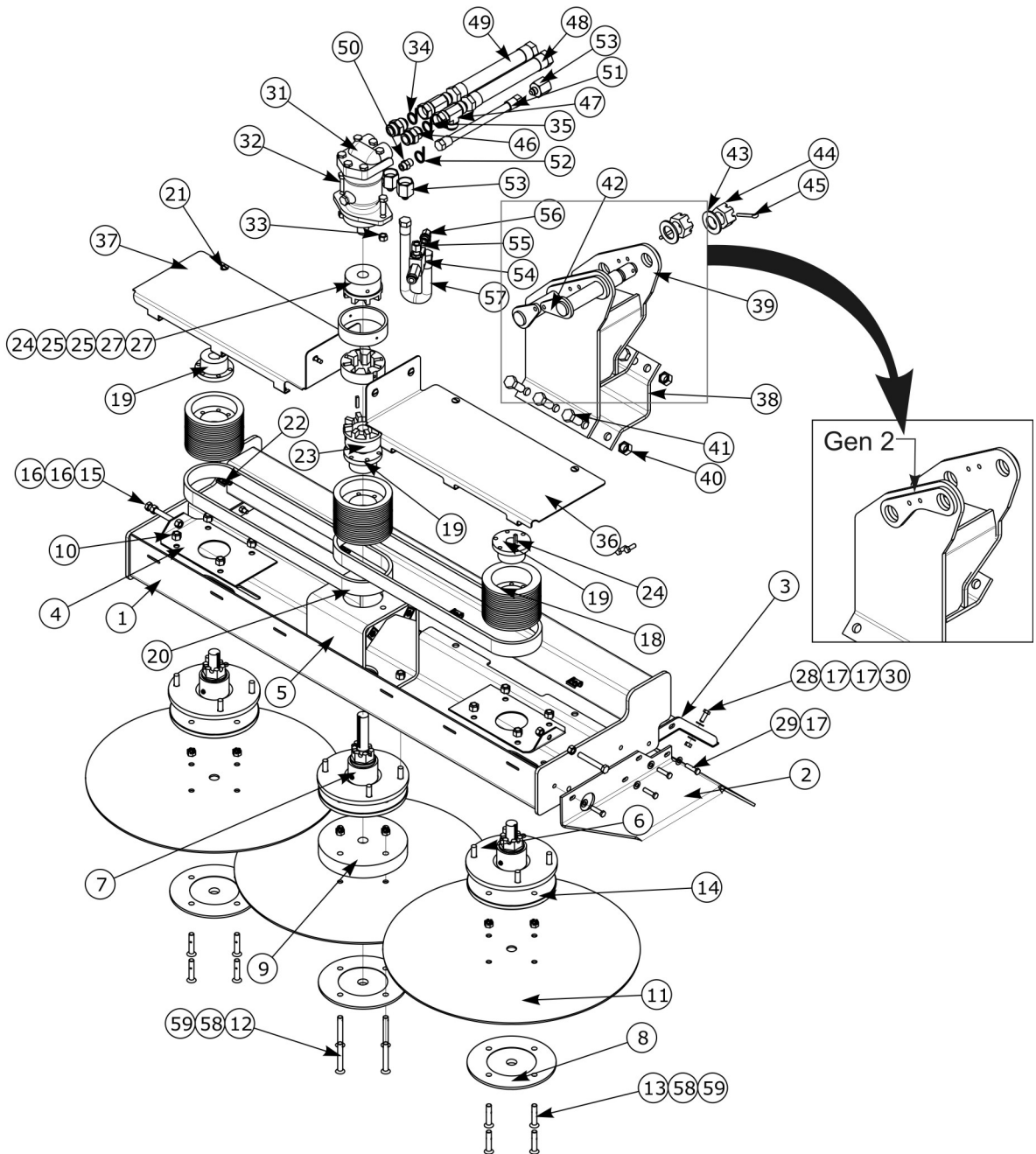


BUZZ BAR ASY - 69 IN HEAD GEN 1 (PART 3)

Continued...

ITEM	PART NO.	QTY.	DESCRIPTION
82	02975928	1	INSERT SHEET BUZZBAR MACHETE
83	02975964	1	ASY RELIEF MANIFOLD 2900 PSI
84	02919600	2	CAP-NUT #4FJ
85	02968895	1	PLASTIC TIE BLUE 11LG
86	40010000	12	PIN, COTTER 1/8 X1
87	63000500	12	WASHER, FLAT, PLATED
88	02979262	1	MACHINED TUBE, MOTOR MOUNT
89	02979546	1	DECAL, ALAMO IND. GREEN &BLACK

BUZZ BAR ASY - 69 IN HEAD GEN 2 (PART 1)

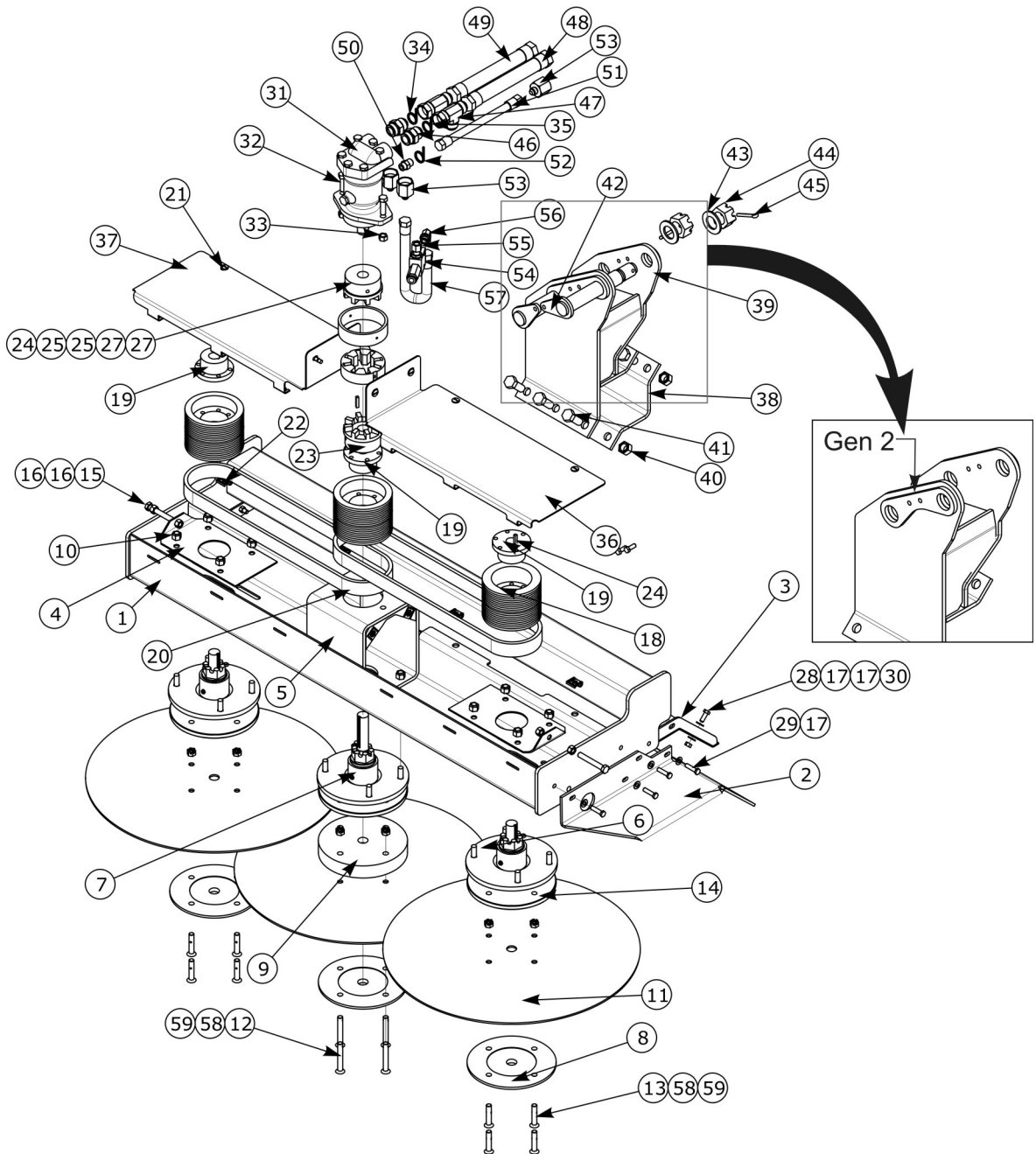


BUZZ BAR ASY - 69 IN HEAD GEN 2 (PART 1)

Continued...

ITEM	PART NO.	QTY.	DESCRIPTION
	02986237	1	ASY, 3 BLADE BUZZBAR, PISTON
1	02983632	1	WELDMENT, SAW BODY 3 BLADE
2	02974207	1	BUMPER
3	02979258	1	WLDMT, SHIELD 3 BLADE
4	02974225	2	BRACKET TENSION ADJUST
5	02979262	1	MACHINED TUBE, MOTOR MOUNT
6	02974235	2	HUB ASSY
7	02978249	1	ASSEMBLY, SPINDLE SHAFT
8	02974237	3	PLATE, SHAFT END CAP
9	02974238	1	BLADE SPACER
10	00750614	12	NUT 1/2 NF
11	02974236	3	BLADES
12	02974659	4	FLAT SOCKET HEAD 1/2 NC X 3-1/2 W/ HOLE
13	02974658	8	FLAT SOCKET HEAD 1/2 NC X 2" W/ HOLE
14	02976017	12	SLOT NUT
15	002521	2	HHCS 1/2 NC 3-1/2, FULL THREAD
16	00001200	4	NUT HEX 1/2 NC
17	00011100	10	FLATWASHER 3/8 STD
18	02974239	3	SHEAVE
19	02974240	3	QD BUSHING
20	02974241	2	BELT, MICRO-V
21	02984678	8	STUD 9MM 1/4 TURN
22	02984677	8	SLIP ON RECEPTACLE 9MM
23	02978267	1	HUB, 20R10 W/1-1/8" BORE
24	02669600	4	SQ KEY
25	02978268	1	INSERT, URETHANE
26	02978269	1	COVER, NYLON
27	02978270	1	HUB, 20R10 W/1-1/8" BORE
28	00011400	3	BOLT, HHCS 3/8 NC 1 PL5
29	00023100	8	HHCS 3/8 X 1-1/2 NC PL GR5
30	00015800	9	LOCKNUT TLM 3/8 NC PLC
31	8301295	1	PISTON MOTOR
32	00749130	2	HHCS 1/2 -13UNC 1 3/4 PL5
33	00001800	2	LOCKNUT TLM 1/2 NC PLB
34	02968894	1	PLASTIC TIE, RED, 11LG
35	02968896	1	PLASTIC TIE, ORANGE, 11LG
36	02979296	1	BELT COVER, SHORT
37	02979255	1	BELT COVER, LEFT 3 BLADE
38	02970324	1	PLATE-CLAMP, HITCHPOST
39	02986218	1	WELDMENT, HITCHPOST
40	00037200	6	NUT 3/4 NC LOCKNUT

BUZZ BAR ASY - 69 IN HEAD GEN 2 (PART 2)

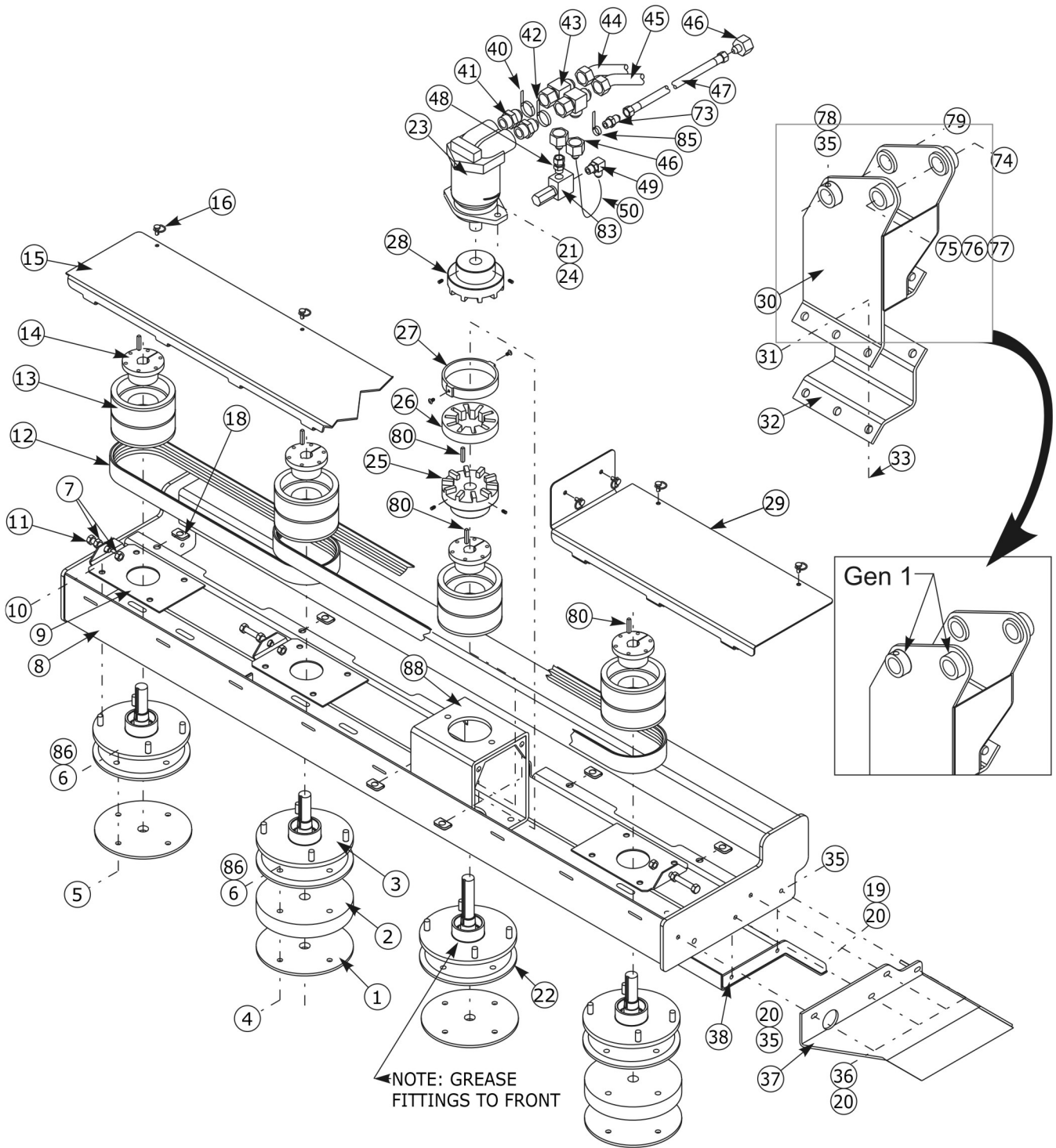


BUZZ BAR ASY - 69 IN HEAD GEN 2 (PART 2)

Continued...

ITEM	PART NO.	QTY.	DESCRIPTION
41	02918600	6	HEXB 3/4-10UNC 2 PL8
42	02981757	2	WELDMENT, PIN, HITCH POST
43	02971702	2	FLATWASHER 1-3/8 TYPE B NARROW
44	02971701	2	NUT SLOT 1-3/8 12NF PLB
45	165020	2	PIN, COTTER 5/16 X 2-1/2 PL
46	02957622	2	ADP HYD STGHT 16MB-16MJ
47	02970466	2	ADP HYD TEE 16FJX-16MJ-16MJ
48	02969678	1	HOSE #16-16FJX -16FJX45- 74LG
49	02975437	1	HOSE #16-16FJX -16FJX45- 74LG
50	00696800	1	ADP HYD STGHT 8MB-8MJ
51	02972981	1	HOSE #8 - 8FJX - 8FJX - 80LG
52	02968895	1	PLASTIC TIE BLUE 11LG
53	02969464	3	ADP HYD STGHT 16FJ-8MJ
54	02975964	1	ASY RELIEF MANIFOLD 2900 PSI
55	02975438	1	ADP HYD STGHT 8MB - 8FJX
56	02962213	1	ADP HYD ELBOW 8MB - 8MJ 90?
57	02158800	1	HOSE #8 - 8FJX - 8FJX - 17LG
58	63000500	12	WASHER, FLAT, PLATED
59	40010000	2	PIN, COTTER 1/8 X1
	02961085	12	CORDURA SLEEVING-54 LG

BUZZ BAR ASY - 90 IN HEAD GEN 1 (PART 1)

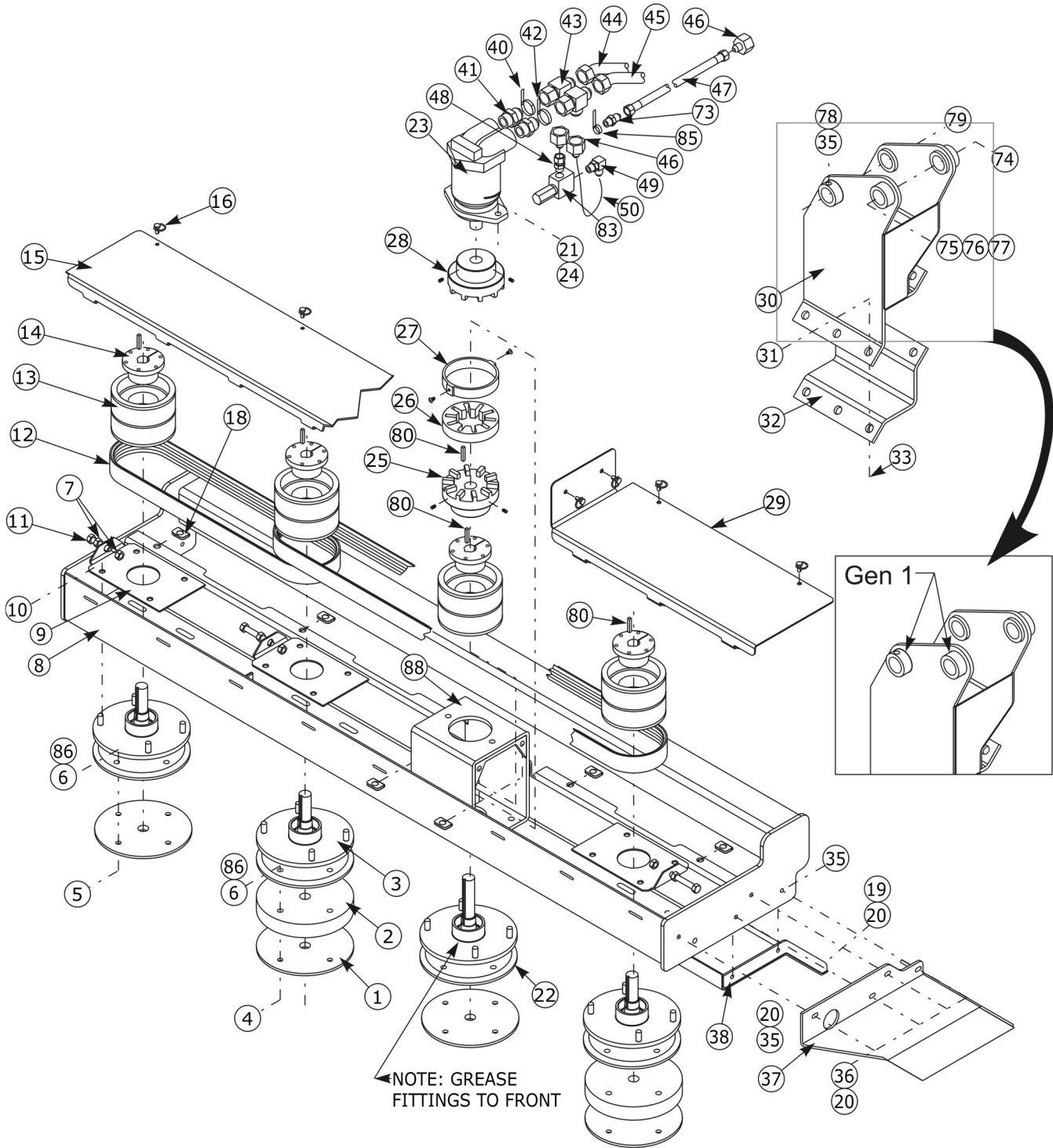


BUZZ BAR ASY - 90 IN HEAD GEN 1 (PART 1)

Continued...

ITEM	PART NO.	QTY.	DESCRIPTION
	02974203	1	SAW HEAD ASY, 90 IN. (4 BLADE)
1	02974237	4	END CAP
2	02974238	2	BLADE SPACER
3	02974235	3	SPINDLE HUB ASY.
4	02974659	8	BOLT, SOCKET HEAD COUNTERSUNK 1/2"-NC X 3-1/2" W/HOLE
5	02974658	8	BOLT, SOCKET HEAD COUNTERSUNK 1/2"-NC X 2" W/HOLE
6	02976017	16	SLOTTED NUT, 1/2"-NC PLB
7	00001200	6	HEX NUT, 1/2"-NC PL
8	02979295	1	SAW BODY WELDMENT, 4 BLADE
9	02974225	3	TENSION ADJUSTMENT BRACKET
10	00750614	16	CONE LUG NUT, 1/2"-20NF - 90 DEG.PL
11	002521	3	BOLT, HEX HEAD 1/2"-NC X 3-1/2" PL GR5
12	02974241	3	BELT, POLY-V
13	02974239	4	SHEAVE, PULLEY
14	02974240	4	BUSHING, QD
15	02979297	1	SHEET, BELT COVER, LEFT 4 BLADE
16	02975441	9	STUD, QUICK RELEASE W/RING
17	02975440	9	RETAINER F/ QUICK RELEASE
18	02975439	9	RECEIVER F/ QUICK RELEASE
19	00011400	1	BOLT, HEX HEAD 3/8"-NC X 1" PL GR5
20	00011100	10	FLATWASHER, 3/8" PL STD
21	00001800	6	LOCKNUT, 1/2"-NC PLB
22	02978249	1	DRIVE SPINDLE ASY
23	8301295	1	MOTOR, PISTON - 2.48 CU.IN./REV
24	00749130	8	BOLT, HEX HEAD 1/2"-13NC X 1-3/4" PL GR5
25	02978267	1	HUB, 1-1/8" BORE 1/4" KEY
26	02978268	1	INSERT, URETHANE
27	02978269	1	COVER, PROTECTIVE NYLON
28	02978270	1	HUB, 1-1/8" BORE 5/16" KEY
29	02979296	1	SHEET, BELT COVER SHORT
30	02976149	1	HITCH POST WELDMENT
31	00037200	6	LOCKNUT, 3/4"-NC PLC
32	02970324	1	HITCH POST CLAMP PLATE
33	02918600	6	BOLT, HEX HEAD 3/4"-10NC X 2" PL GR8
34	02974215	1	HITCH TUBE WELDMENT, 4 BLADE
35	00015800	9	LOCKNUT, 3/8"-NC PLB
36	00023100	8	BOLT, HEX HEAD 3/8"-16NC X 1-1/2" PL GR5
37	02974207	1	BUMPER
38	02974212	1	SHIELD WELDMENT, REAR 4 BLADE
39	02975600	1	SAW BLADE SET, SET OF 2 BLADES
40	02968894	1	PLASTIC TIE, 11" LG

BUZZ BAR ASY - 90 IN HEAD GEN 1 (PART 2)

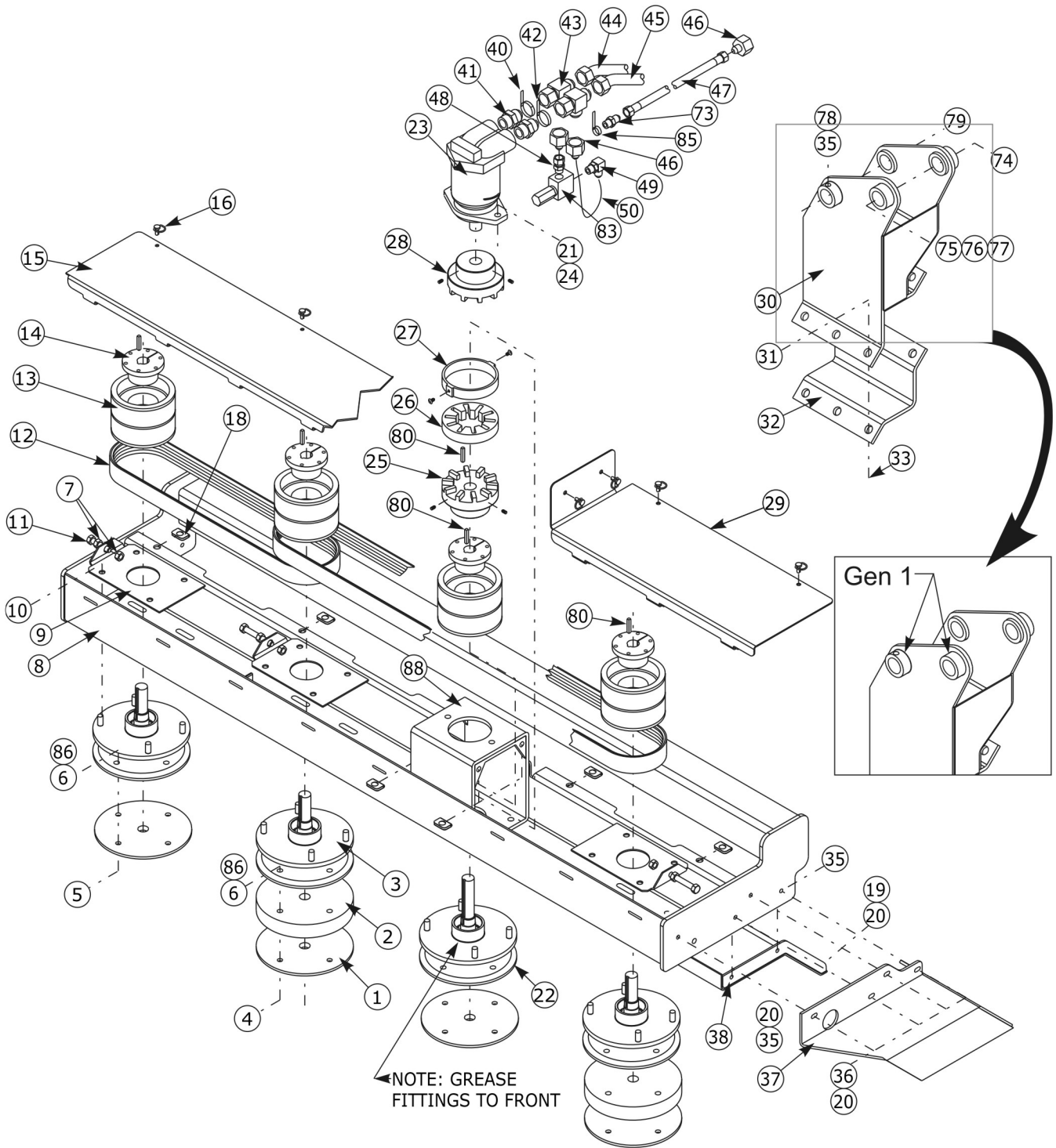


BUZZ BAR ASY - 90 IN HEAD GEN 1 (PART 2)

Continued...

ITEM	PART NO.	QTY.	DESCRIPTION
41	02957622	2	ADP HYD STGHT 16MB-16MJ
42	02968896	1	PLASTIC TIE ORANGE 11LG
43	02970466	2	ADP HYD TEE 16FJX-16MJ-16MJ
44	02975437	1	HOSE #16-16FJX -16FJX45- 74LG
45	02969678	1	HOSE #16-16FJX -16FJX45- 74LG
46	02969464	3	ADP HYD STGHT 16FJ-8MJ
47	02972981	1	HOSE #8 - 8FJX - 8FJX - 80LG
48	02975438	1	ADP HYD STGHT 8MB - 8FJX
49	02962213	1	ADP HYD ELBOW 8MB - 8MJ 90°
50	02158800	1	HOSE #8 - 8FJX - 8FJX - 17LG
51	00758194	1	DECAL,WARNING BELT SHIELD
52	00769736	1	DECAL,USE/REPAIR GUARDS
53	00769737	1	DECAL-BLADES THROWN OBJECTS
54	02925100	1	DECAL-REPLACEMENT PARTS
55	02958241	1	DECAL-TRACTOR OPERATOR SAFETY
56	02962764	1	DECAL - PINCH POINTS
57	00756004	1	DECAL-SHIELD MISSING
58	02965262	1	DECAL- WARNING HOSE BURST
59	02967827	1	DECAL, MULTI-HAZARD
60	00757139	2	DECAL, ALAMO INDUSTRIAL
61	02974998	1	DECAL BUZZBAR
62	D138	1	DECAL,CW BLADE ROTATION
63	02975158	1	DECAL HEAR PROTECTION REQD
64	02975170	1	DECAL ROTATING BLADES
65	02975515	1	DECAL WARNING DISCONNECT
66	02975516	1	DECAL NO HITCH POST HERE
68	02975513	1	PLATE SERIAL NUMBER BB90
69	3710151	4	METAL TACK
70	02979546	1	DECAL, ALAMO IND. GREEN &BLACK
71	1458392	1	DECAL,RED REFLECTOR
72	1458393	1	DECAL,YELLOW REFLECTOR
73	00696800	1	ADP HYD STGHT 8MB-8MJ
74	02971720	1	WELDMENT, PIN - 11-1/2LG
75	02971702	1	FLATWASHER 1-3/8 TYPE B NARROW
76	02971701	1	NUT SLOT 1-3/8 12NF PLB
77	165020	1	PIN, COTTER 5/16 X 2-1/2 PL
78	02970595	1	HHCS 3/8 NC 2-3/4 PL8
79	02971756	1	PIN, 1-1/2 X 9 CHROME
80	02669600	5	KEY 1/4 SQ KEY 1 1/4 LG.
81	02961134	1	DECAL- PATENT PENDING

BUZZ BAR ASY - 90 IN HEAD GEN 1 (PART 3)

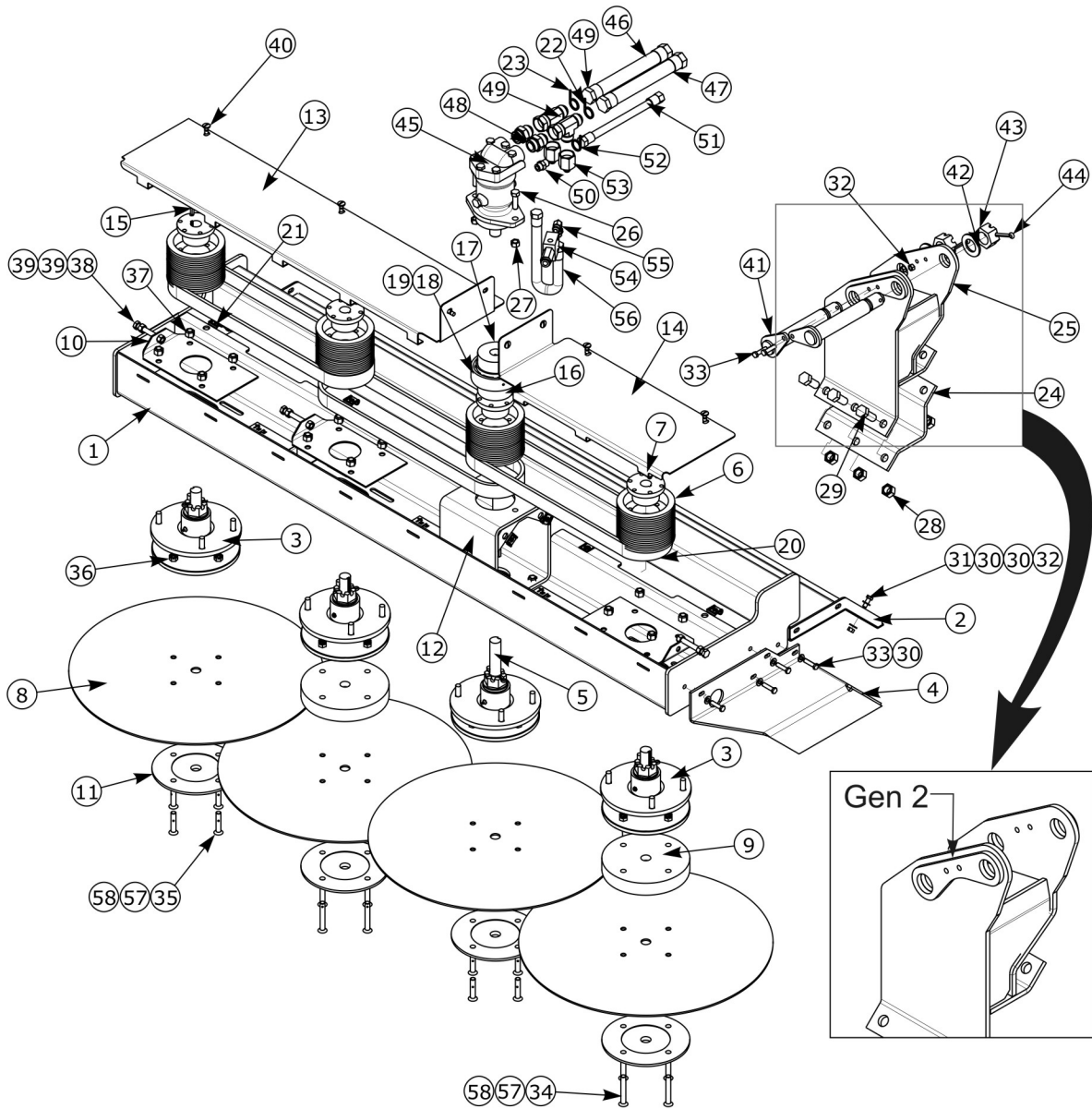


BUZZ BAR ASY - 90 IN HEAD GEN 1 (PART 3)

Continued...

ITEM	PART NO.	QTY.	DESCRIPTION
82	02975928	1	INSERT SHEET BUZZBAR MACHETE
83	02975964	1	ASY RELIEF MANIFOLD 2900 PSI
84	02919600	2	CAP-NUT #4FJ
85	02968895	1	PLASTIC TIE BLUE 11LG
86	40010000	16	PIN, COTTER 1/8 X1
87	63000500	16	WASHER, FLAT, PLATED
88	02979262	1	MACHINED TUBE, MOTOR MOUNT
89	02979546	1	DECAL, ALAMO IND. GREEN &BLACK

BUZZ BAR ASY - 90 IN HEAD GEN 2 (PART 1)

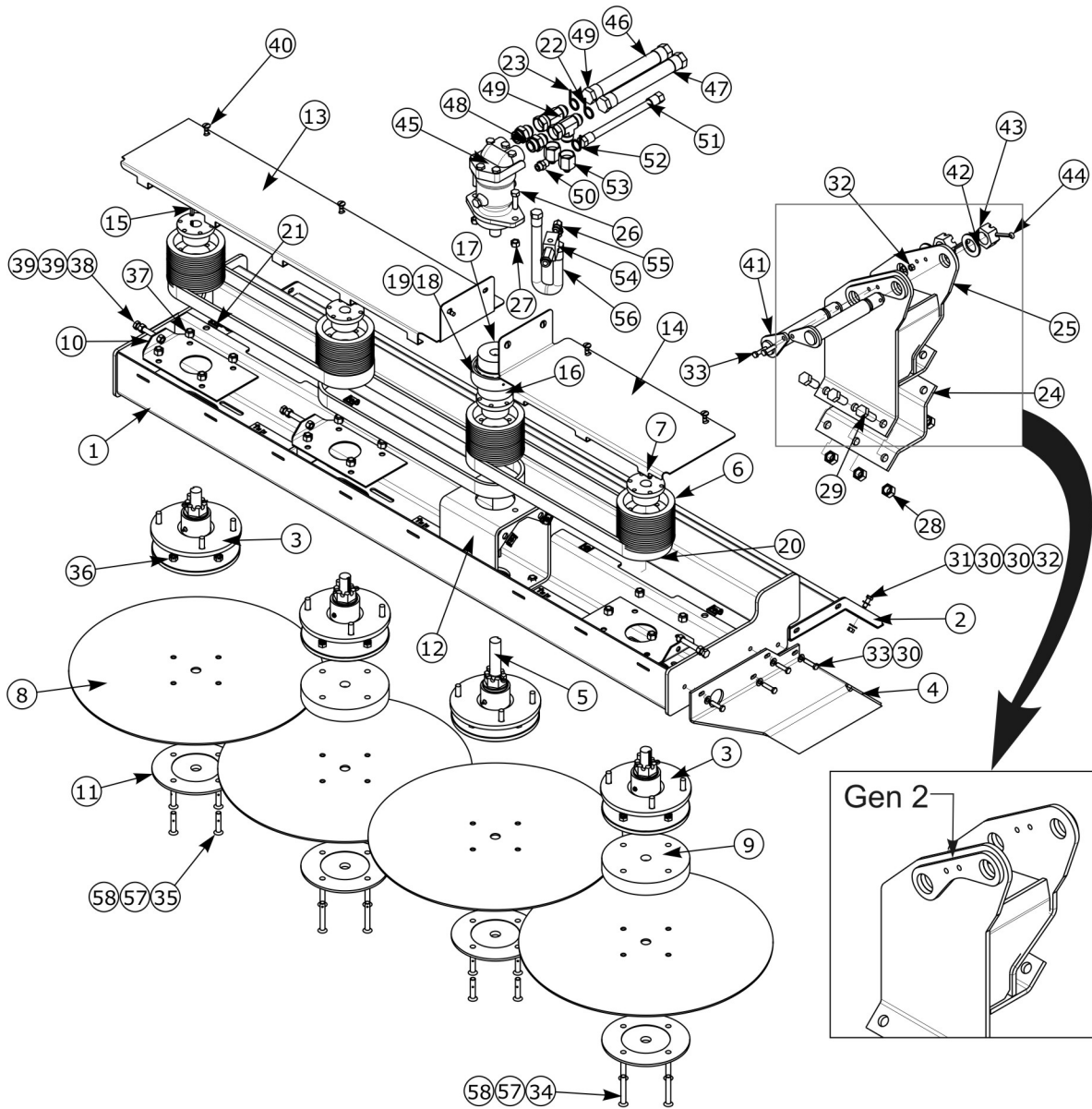


BUZZ BAR ASY - 90 IN HEAD GEN 2 (PART 1)

Continued...

ITEM	PART NO.	QTY.	DESCRIPTION
	02986245	1	ASY, 4 BLADE BUZZBAR PISTON
1	02983633	1	WELDMENT, SAW BODY 4 BLADE
2	02974212	1	WLDMT, REAR SHIELD
3	02974235	3	HUB ASSY
4	02974207	1	BUMPER
5	02978249	1	ASSEMBLY, SPINDLE SHAFT
6	02974239	4	SHEAVE
7	02974240	4	QD BUSHING
8	02974236	4	BLADES
9	02974238	2	BLADE SPACER
10	02974225	3	BRACKET TENSION ADJUST
11	02974237	4	PLATE, SHAFT END CAP
12	02979262	1	MACHINED TUBE, MOTOR MOUNT
13	02979297	1	BELT COVER, LONG
14	02979296	1	BELT COVER, SHORT
15	02669600	5	SQ KEY
16	02978267	1	HUB, 20R10 W/1-1/8" BORE
17	02978270	1	HUB, 20R10 W/1-1/8" BORE
18	02978269	1	COVER, NYLON
19	02978268	1	INSERT, URETHANE
20	02974241	3	BELT, MICRO-V
21	02984677	9	SLIP ON RECEPTACLE 9MM
22	02968896	1	PLASTIC TIE, ORANGE, 11LG
23	02968894	1	PLASTIC TIE, RED, 11LG
24	02970324	1	PLATE-CLAMP, HITCHPOST
25	02986218	1	WELDMENT, HITCHPOST
26	00749130	2	HHCS 1/2 -13UNC 1 3/4 PL5
27	00001800	2	LOCKNUT TLM 1/2 NC PLB
28	00037200	6	NUT 3/4 NC LOCKNUT
29	02918600	6	HHCS 3/4 NC 2 PL8
30	00011100	10	FLATWASHER 3/8 STD
31	00011400	1	BOLT, HHCS 3/8 NC 1 PL5
32	00015800	11	LOCKNUT TLM 3/8 NC PLC
33	00023100	10	HHCS 3/8 X 1-1/2 NC PL GR5
34	02974659	8	FLAT SOCKET HEAD 1/2 NC X 3-1/2 W/ HOLE
35	02974658	8	FLAT SOCKET HEAD 1/2 NC X 2" W/ HOLE
36	02976017	16	SLOT NUT
37	00750614	16	NUT 1/2 NF
38	002521	3	HHCS 1/2 NC 3-1/2, FULL THREAD
39	00001200	6	NUT HEX 1/2 NC
40	02984678	9	STUD 9MM 1/4 TURN

BUZZ BAR ASY - 90 IN HEAD GEN 2 (PART 2)



BUZZ BAR ASY - 90 IN HEAD GEN 2 (PART 2)

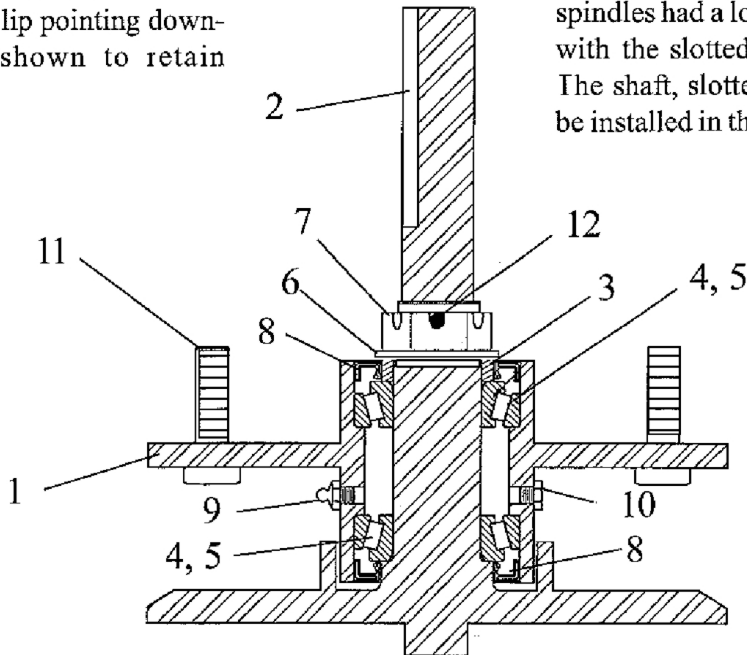
Continued...

ITEM	PART NO.	QTY.	DESCRIPTION
41	02981757	2	WELDMENT, PIN, HITCH POST
42	02971702	2	FLATWASHER 1-3/8 TYPE B NARROW
43	02971701	2	NUT SLOT 1-3/8 12NF PLB
44	165020	2	PIN, COTTER 5/16 X 2-1/2 PL
45	8301295	1	MOTOR,PISTON-2.48 CU.IN./REV
46	02975437	1	HOSE #16-16FJX -16FJX45- 74LG
47	02969678	1	HOSE #16-16FJX -16FJX45- 74LG
48	02957622	2	ADP HYD STGHT 16MB-16MJ
49	02970466	2	ADP HYD TEE 16FJX-16MJ-16MJ
50	00696800	1	ADP HYD STGHT 8MB-8MJ
51	02972981	1	HOSE #8 - 8FJX - 8FJX - 80LG
52	02968895	1	PLASTIC TIE BLUE 11LG
53	02969464	2	ADP HYD STGHT 16FJ-8MJ
54	02975964	1	ASY RELIEF MANIFOLD 2900 PSI
55	02962213	1	ADP HYD ELBOW 8MB - 8MJ 90?
56	02158800	1	HOSE #8 - 8FJX - 8FJX - 17LG
57	40010000	16	PIN, COTTER 1/8 X1
58	63000500	16	WASHER, FLAT, PLATED

BUZZ BAR SPINDLE ASY - SN BB-01219

Note: Install top seal (item 8) before installing bearing collar (item 3). Seal must be installed with inner lip pointing downward as shown to retain grease.

Note: Drive spindle and non-drive spindles are the same except for the shaft. These spindles were used from S/N BB90-01219 and up. The older spindles had a locking tab nut which was replaced with the slotted nut and cotter pin shown here. The shaft, slotted nut, cotter pin and washer can be installed in the older spindles.

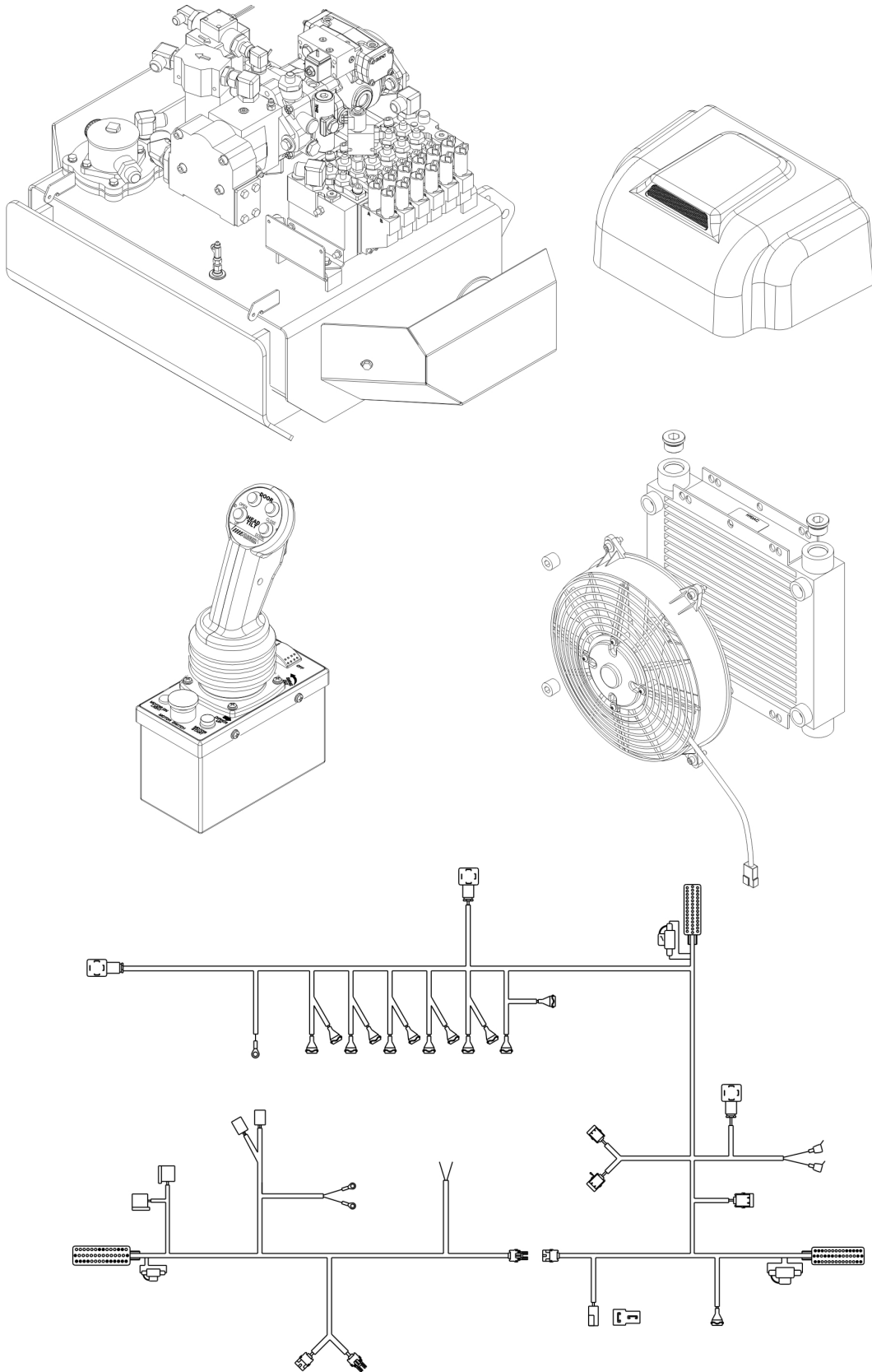


ITEM	PART NO.	QTY.	DESCRIPTION
	02978249	1	SPINDLE ASY, DRIVE SPINDLE (SHOWN)
	02974235	1	SPINDLE ASY, NON-DRIVE (NOT SHOWN)
1	02974224	1	SPINDLE HOUSING, MACHINED
2	02978472	1	SPINDLE SHAFT, NON-DRIVE SPINDLE
	02978257	1	SPINDLE SHAFT, DRIVE SPINDLE
3	02974234	1	COLLAR, BEARING PRELOAD
4	70044	2	BEARING CUP, UPPER OR LOWER
5	5312314	2	BEARING CONE, UPPER OR LOWER
6	15C2000	1	WASHER, 1-1/4" HARDEND
7	5D20120	1	SLOTTED HEX NUT, 1-1/4"-12NF PL
8	00766549	2	SEAL, UPPER OR LOWER
9	00003500	1	GREASE FITTING, 1/8" STRAIGHT
10	02959018	1	GREASE RELIEF FITTING, 1-5LBS
11	00752177	4	STUD BOLT, 1/2"-20NF X 1-7/8"
12	00606000	1	COTTER PIN, 3/16" X 2"

NOTE: QTY SHOWN IS PER SPINDLE ASSEMBLY, QTY WILL DEPEND ON NUMBER OF SPINDLES YOU ARE REPAIRING. CHECK MODEL BEFORE ORDERING PARTS.

THIS PAGE INTENTIONAL LEFT BLANK

COMMON CRATE COMPONENTS

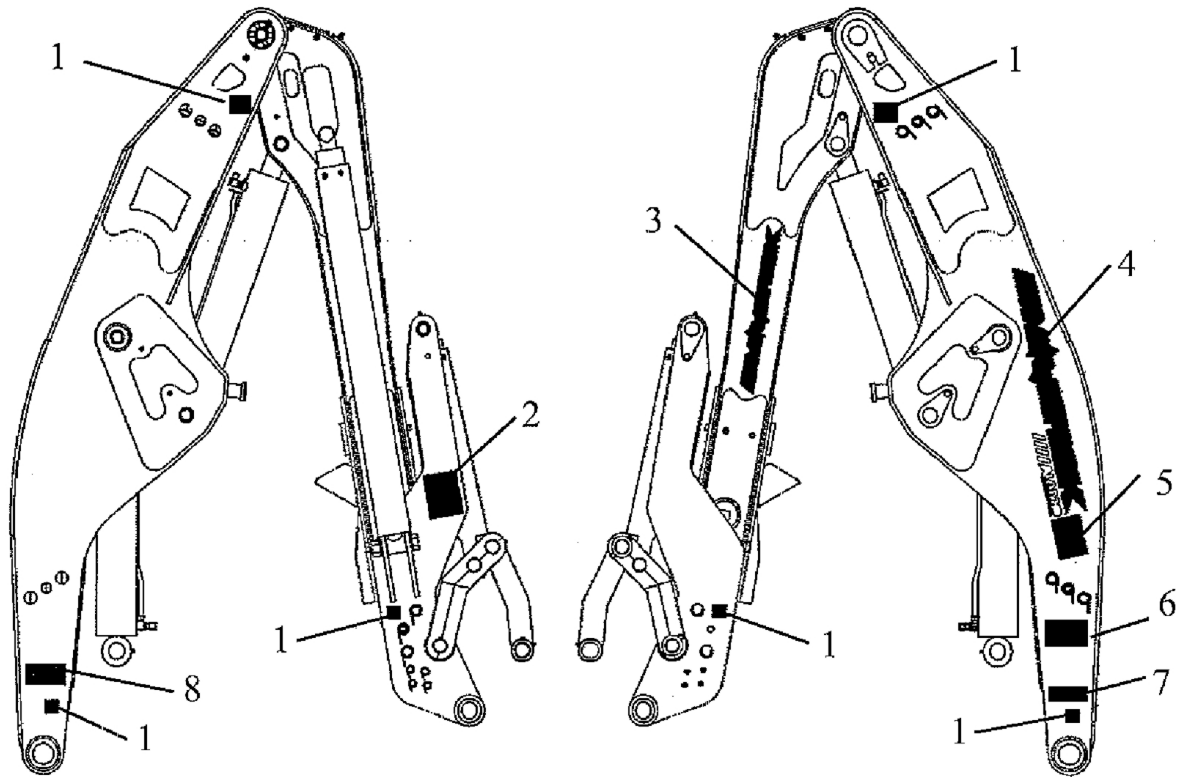


COMMON CRATE COMPONENTS

Continued...

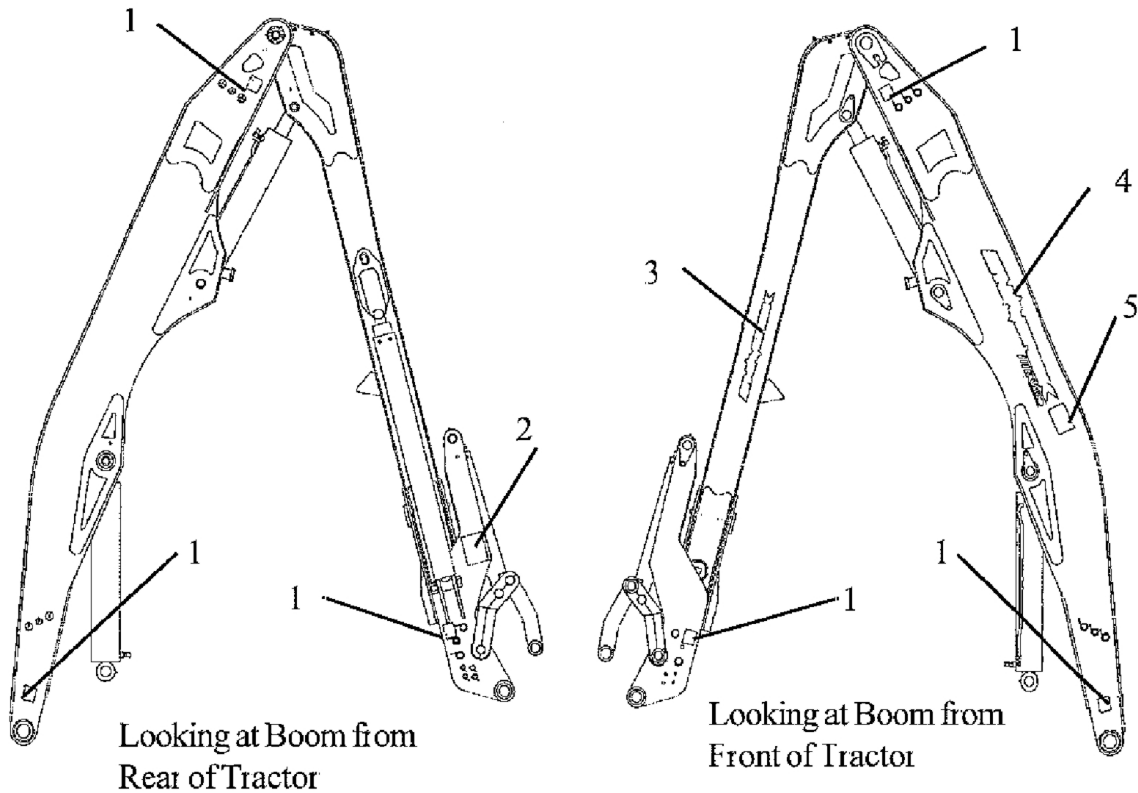
ITEM	PART NO.	QTY.	DESCRIPTION
1	02981381	1	ASY, PUMP COVER
4	02981377	1	COOLER, OIL/AIR W/FAN
5	02981383	1	MOUNT, COOLER, RH
6	02981384	1	MOUNT, COOLER, LH
7	02090800	2	ADP HYD ELBOW 12MB-12MJ90
8	02962181	6	ADP HYD STGHT 4MB-4MJ
9	02977622	1	VALVE SOLENOID DIVERTER
10	02981803	1	ASY, COMPLETE, TANK & VALVE
11	02981805	1	KIT, ELECTRONIC, MAVERICK
	02981374	1	CONTROLLER, 3/AXIS 5 BUTTON
	02981376	1	HOUSING, DISPLAY & SWITCH
	02981531	1	MODULE, XP2, EXPANSION
	02981532	1	MODULE, XT2, EXPANSION
	02981533	1	MODULE, XS, EXPANSION
	02964028A	1	SWITCH PUSH PULL
	02982340	1	ASY, MDM MODULE & PROGRAM
	02984734	1	ASY, HARNESS, MAVERICK
12	02976531	10	ADP HYD ELBOW 6MJ - 6FJX 45DEG
13	02981953	4	HANGER, FORMED, HOSE
14	02981988	1	DECAL, OPERATION, JOYSTICK
16	D377	1	BOOKLET, DECAL BOOM MOWER
17	02981822	1	WELDMENT,HOSE BRACKET, UM
18	02982446	1	BOLT BAG, MAVERICK - COMMON
19	00749508	2	PLUG 1/2-14 NPT
20	02976532	2	ADP HYD ELBOW 4MJ - 4FJX 45DEG
21	02984077	1	WLDMT. HOSE GUIDE
22	02981441	2	KNOB 3/8NC X 1-1/2 STUD
23	02986130	1	CABLE, MANUAL CANISTER, 24" LG
24	02986111	1	CABLE, PUMP COVER 36" LG

DECALS - 24 FT BOOM GEN 1



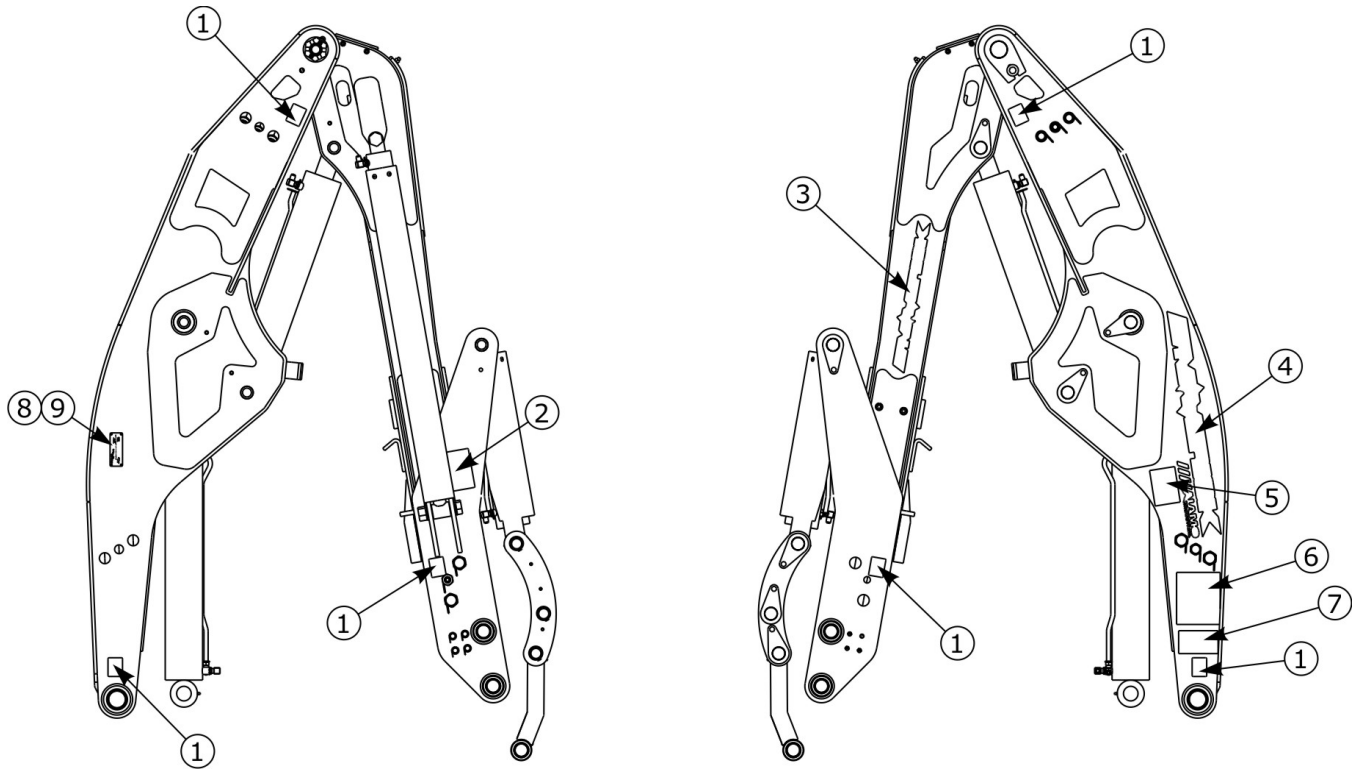
ITEM	PART NO.	QTY.	DESCRIPTION
1	02962764	6	DECAL, PINCH POINTS
2	02981987	1	DECAL, HOSE CONNECTION - MAVERICK
3	02981815	1	DECAL, NAME LOGO - MAVERICK
4	02981816	1	DECAL, LOGO - MAVERICK
5	02981817	1	DECAL, 24 FT LOGO - MAVERICK
6	02965262	1	DECAL, WARNING - HOSE BURST
7	02962765	1	DECAL, MULTI-HAZARD
8	----NFS----	1	S/N PLATE - MAVERICK (NOT FURNISHED)

DECALS - 30 FT BOOM GEN 1



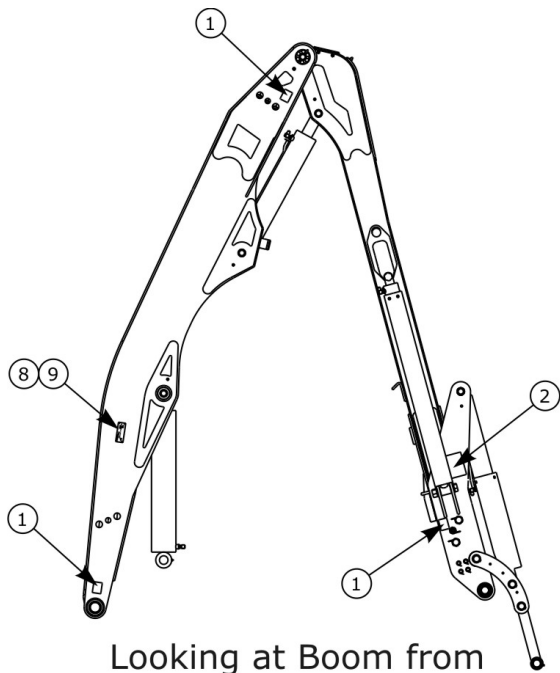
ITEM	PART NO.	QTY.	DESCRIPTION
1	02962764	6	DECAL, PINCH POINTS
2	02981987	1	DECAL, HOSE CONNECTION - MAVERICK
3	02981815	1	DECAL, NAME LOGO - MAVERICK
4	02981816	1	DECAL, LOGO - MAVERICK
5	02981818	1	DECAL, 30 FT LOGO - MAVERICK
6	02965262	1	DECAL, WARNING - HOSE BURST
7	02962765	1	DECAL, MULTI-HAZARD
8	----NFS----	1	S/N PLATE - MAVERICK (NOT FURNISHED)

DECALS - 24 FT BOOM GEN 2

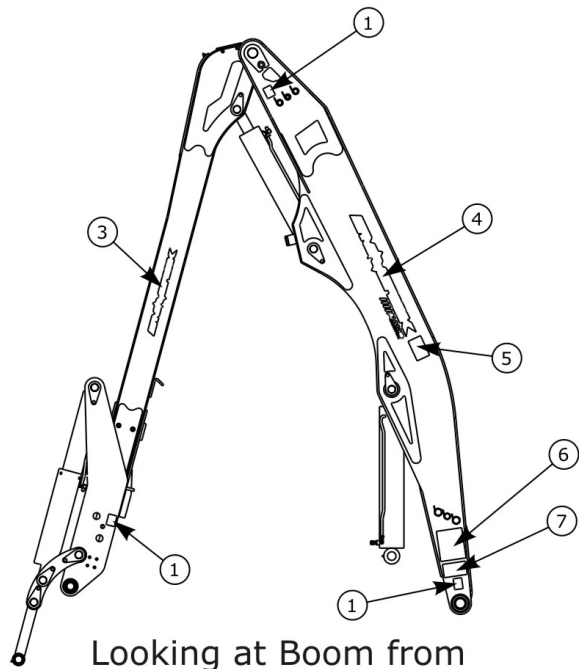


ITEM	PART NO.	QTY.	DESCRIPTION
1	02962764	6	DECAL, PINCH POINTS
2	02981987	1	DECAL, HOSE CONNECTION - MAVERICK
3	02981815	1	DECAL, NAME LOGO - MAVERICK
4	02981816	1	DECAL, LOGO - MAVERICK
5	02981817	1	DECAL, 24 FT LOGO - MAVERICK
6	02965262	1	DECAL, WARNING - HOSE BURST
7	02962765	1	DECAL, MULTI-HAZARD
8	02986753	1	S/N PLATE - MAVERICK (NOT FURNISHED)
9	3710151	4	METAL TACK

DECALS - 30 FT BOOM GEN 2



Looking at Boom from
Rear of Tractor

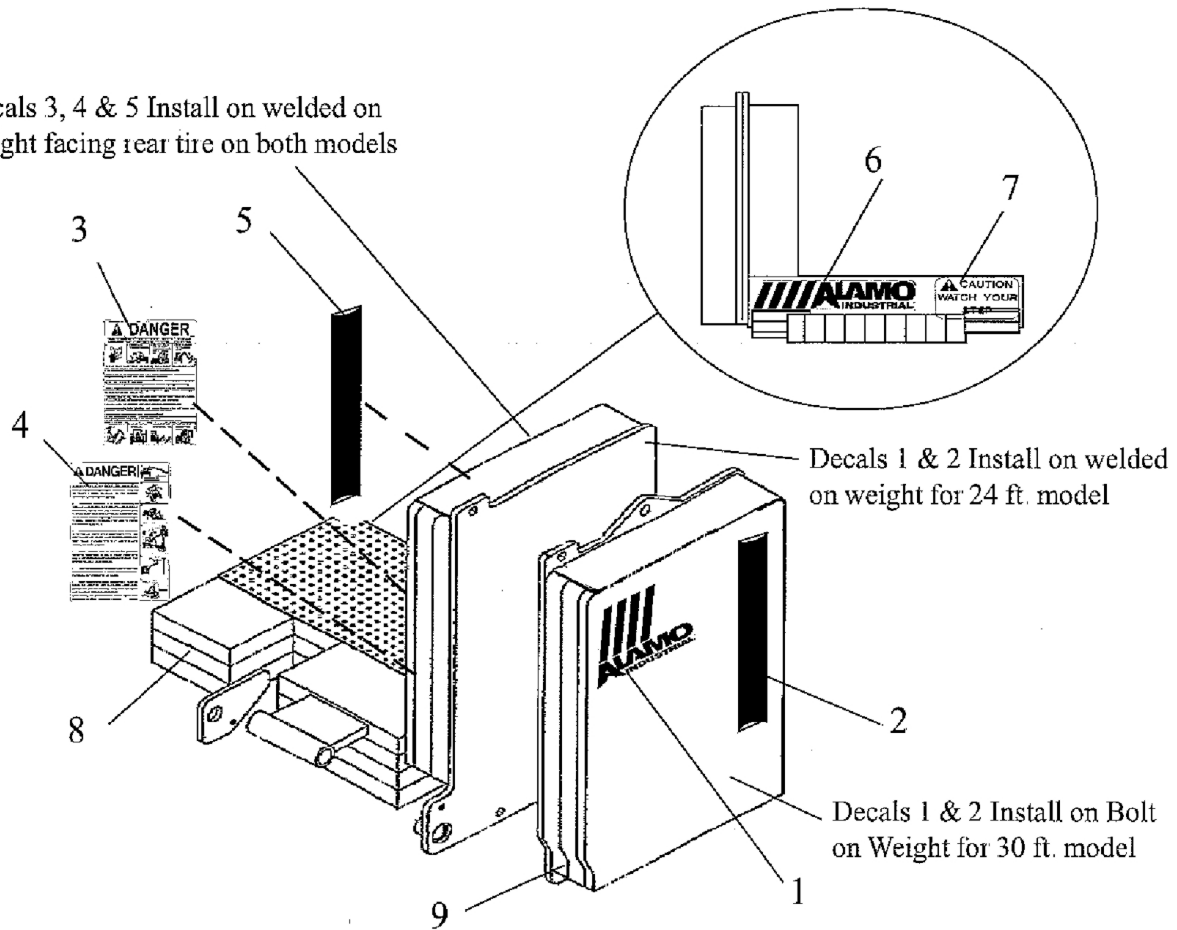


Looking at Boom from
Front of Tractor

ITEM	PART NO.	QTY.	DESCRIPTION
1	02962764	6	DECAL, PINCH POINTS
2	02981987	1	DECAL, HOSE CONNECTION - MAVERICK
3	02981815	1	DECAL, NAME LOGO - MAVERICK
4	02981816	1	DECAL, LOGO - MAVERICK
5	02981818	1	DECAL, 30 FT LOGO - MAVERICK
6	02965262	1	DECAL, WARNING - HOSE BURST
7	02962765	1	DECAL, MULTI-HAZARD
8	02986754	1	S/N PLATE - MAVERICK (NOT FURNISHED)
9	3710151	4	METAL TACK

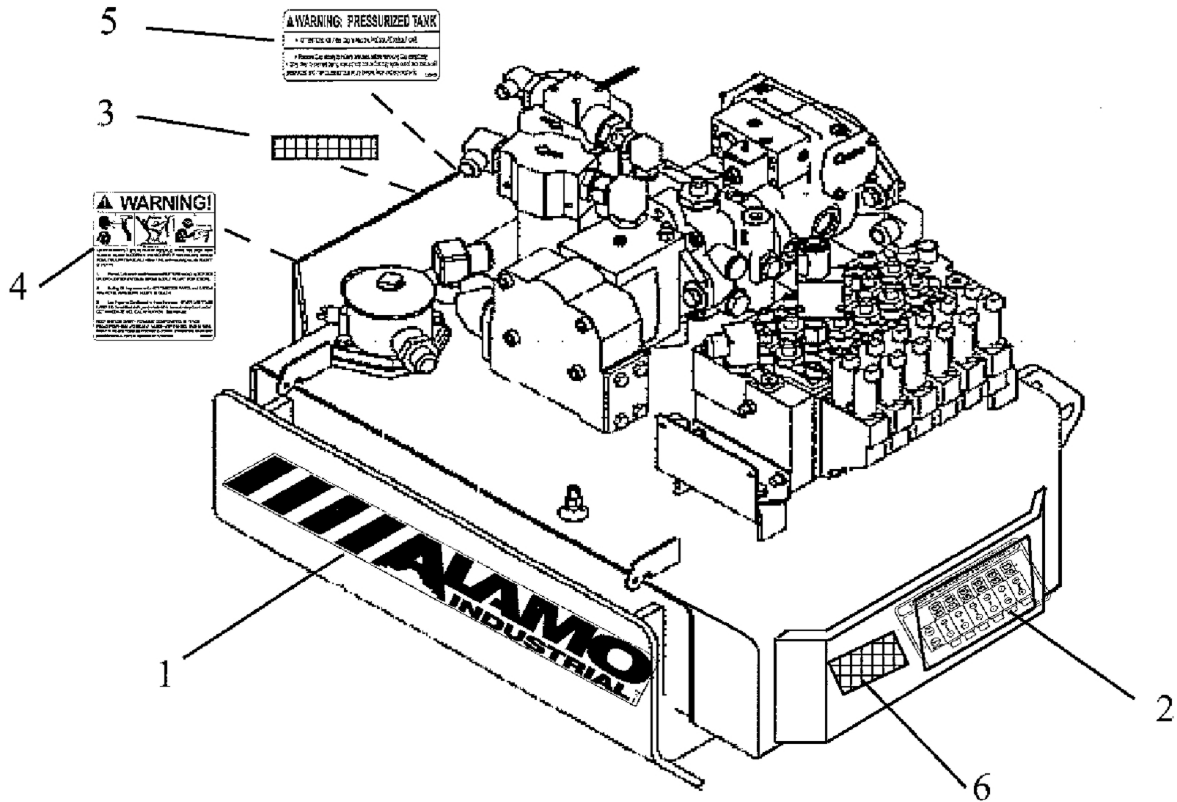
DECALS - COUNTER WEIGHT

Decals 3, 4 & 5 Install on welded on weight facing rear tire on both models



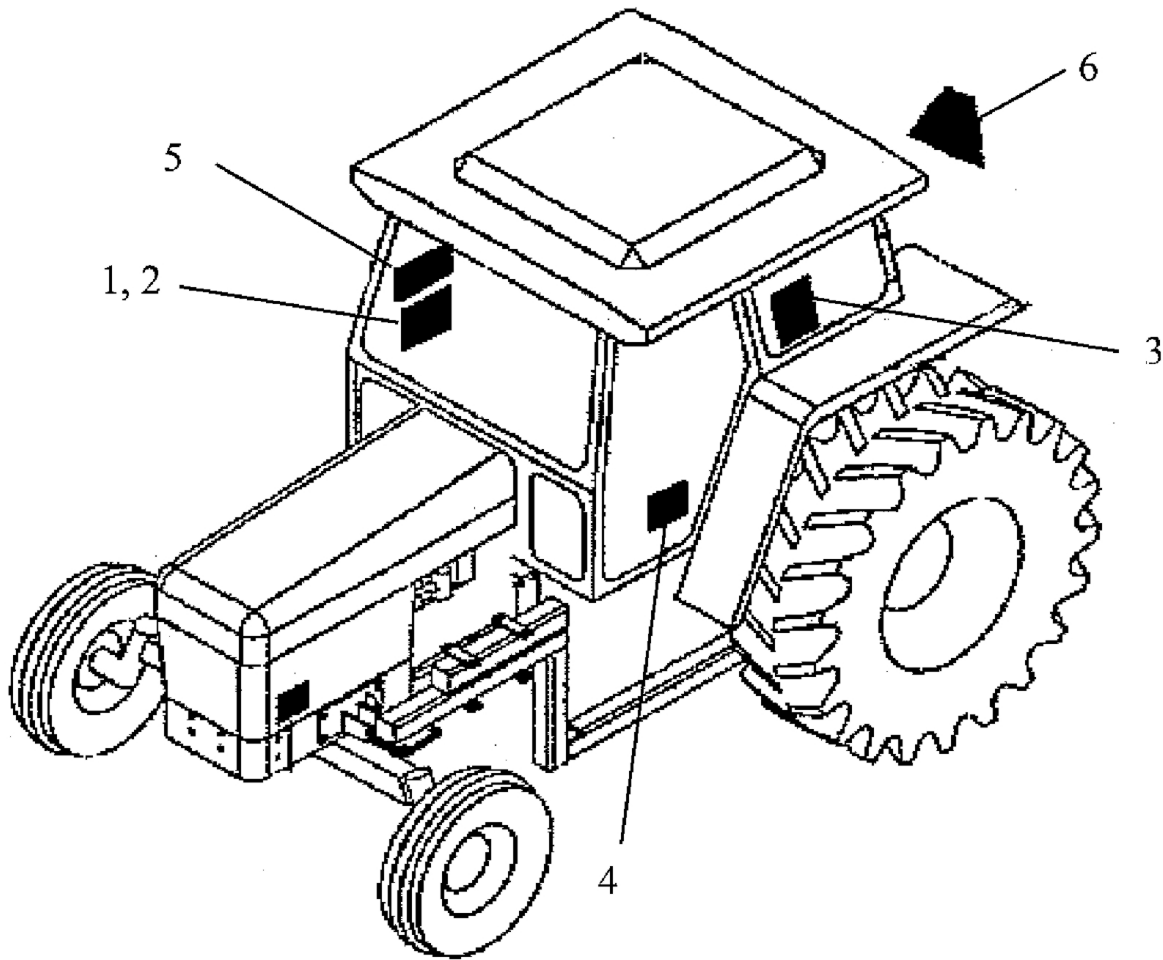
ITEM	PART NO.	QTY.	DESCRIPTION
1	002508	1	DECAL, ALAMO LOGO (SQUARE)
2	1458393	1	DECAL, REFLECTOR - YELLOW
3	02967827	1	DECAL, MULTI-DANGER
4	02958241	1	DECAL, TRACTOR OPERATOR SAFETY
5	1458392	1	DECAL, REFLECTOR - RED
6	02971943	1	DECAL, ALAMO INDUSTRIAL - YELLOW
7	03200285	1	DECAL, WATCH YOUR STEP
8	02981421	1	COUNTER WEIGHT WELDMENT F/ 24 & 30 FT. MODELS
9	02981422	1	COUNTER WEIGHT ADD FOR 30 FT MODELS

DECALS - HYD TANK



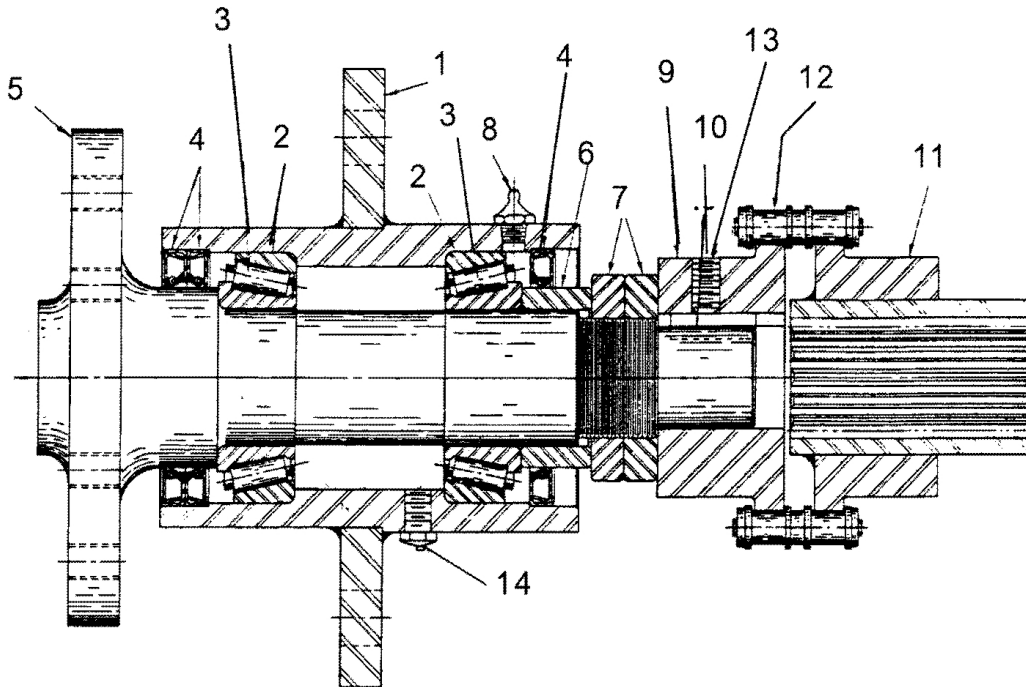
ITEM	PART NO.	QTY.	DESCRIPTION
1	02971943	1	DECAL, ALAMO INDUSTRIAL - YELLOW
2	02981986	1	DECAL, INSTRUCTION HOSE & ELECTRICAL
3	02982828	1	DECAL, OIL HYD TEMPERATURE RANGE
4	02965262	1	DECAL, WARNING HOSE BURST
5	02971123	1	DECAL, WARNING PRESSURIZED TANK
6	02982583	1	DECAL, WARNING - DO NOT WELD - ELECTRICAL CIRCUIT DAMAGE

DECALS - TRACTOR CAB



ITEM	PART NO.	QTY.	DESCRIPTION
1	02967827	1	DECAL, MULTI-HAZARD
2	002369	1	DECAL, DANGER MULTI-HAZARD
3	02958241	1	DECAL, TRACTOR OPERATOR SAFETY
4	03200285	1	DECAL, WATCH YOUR STEP
5	02965093	1	DECAL, PROPER ENGINE OPERATING
6	03200347	1	EMBLEM, SLOW MOVING VEHICLE

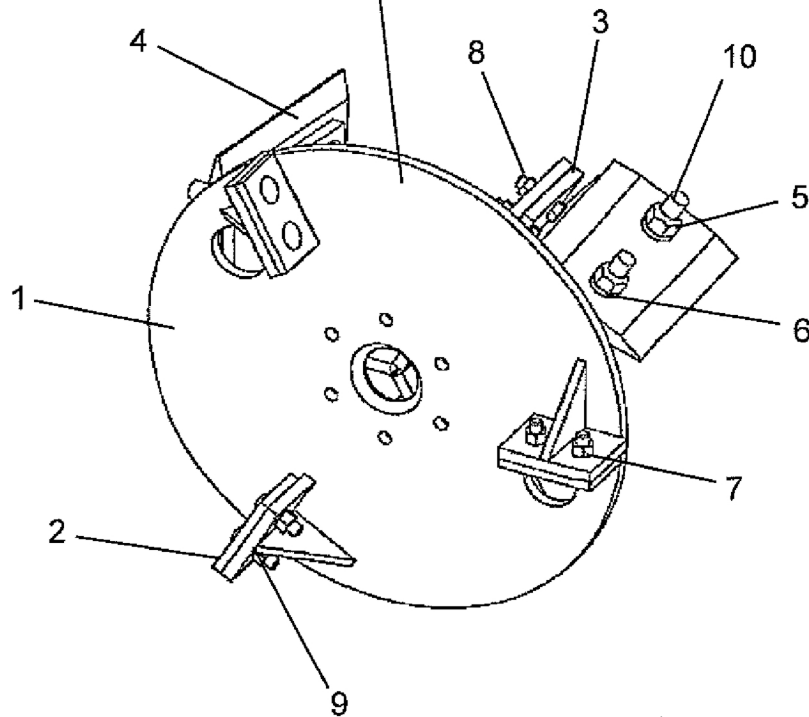
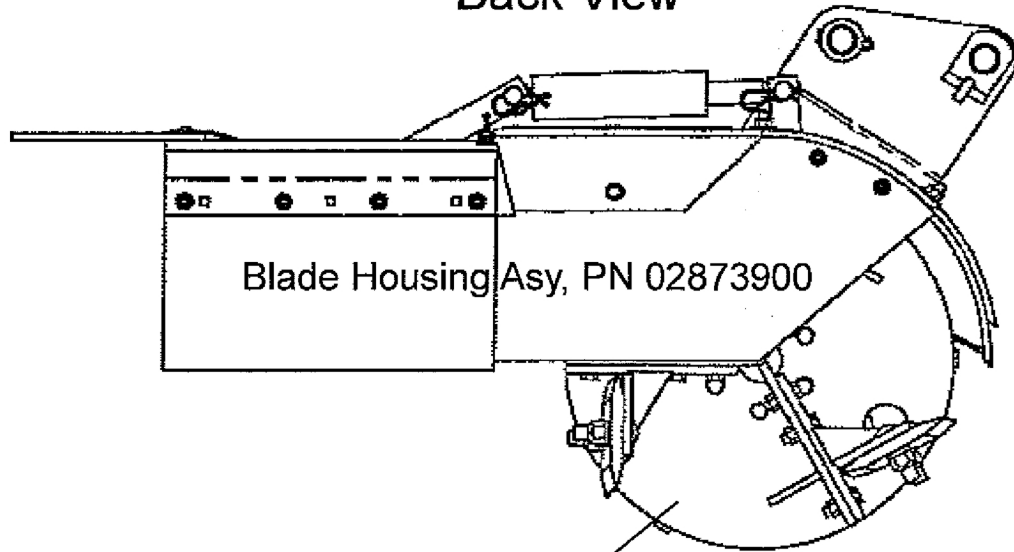
DITCHER - SPINDLE ASY



ITEM	PART NO.	QTY.	DESCRIPTION
	02973336	1	SPINDLE ASY (ITEMS 1 THRU 14)
1	02883700	1	SPINDLE HSG, W/ BRG CUPS & GREASE FITTING
2	02708100	2	BEARING CUP
3	02907700	2	BEARING CONE
4	02707600	3	SEAL
5	02872701	1	SPINDLE SHAFT
6	02873200	1	SPACER
7	02870900	1	NUT
8	00003500	1	GREASE FITTING
9	02873301	1	COUPLING HALF, SPINDLE
10	02959017	1	KEY
11	02973318	1	COUPLING HALF, MOTOR
12	02873800	1	CHAIN COUPLING
13	02959014	1	SETSCREW
14	02959018	1	RELIEF FITTING

DITCHER BLADE HEAD ASY - ROUGH CUT

Back View

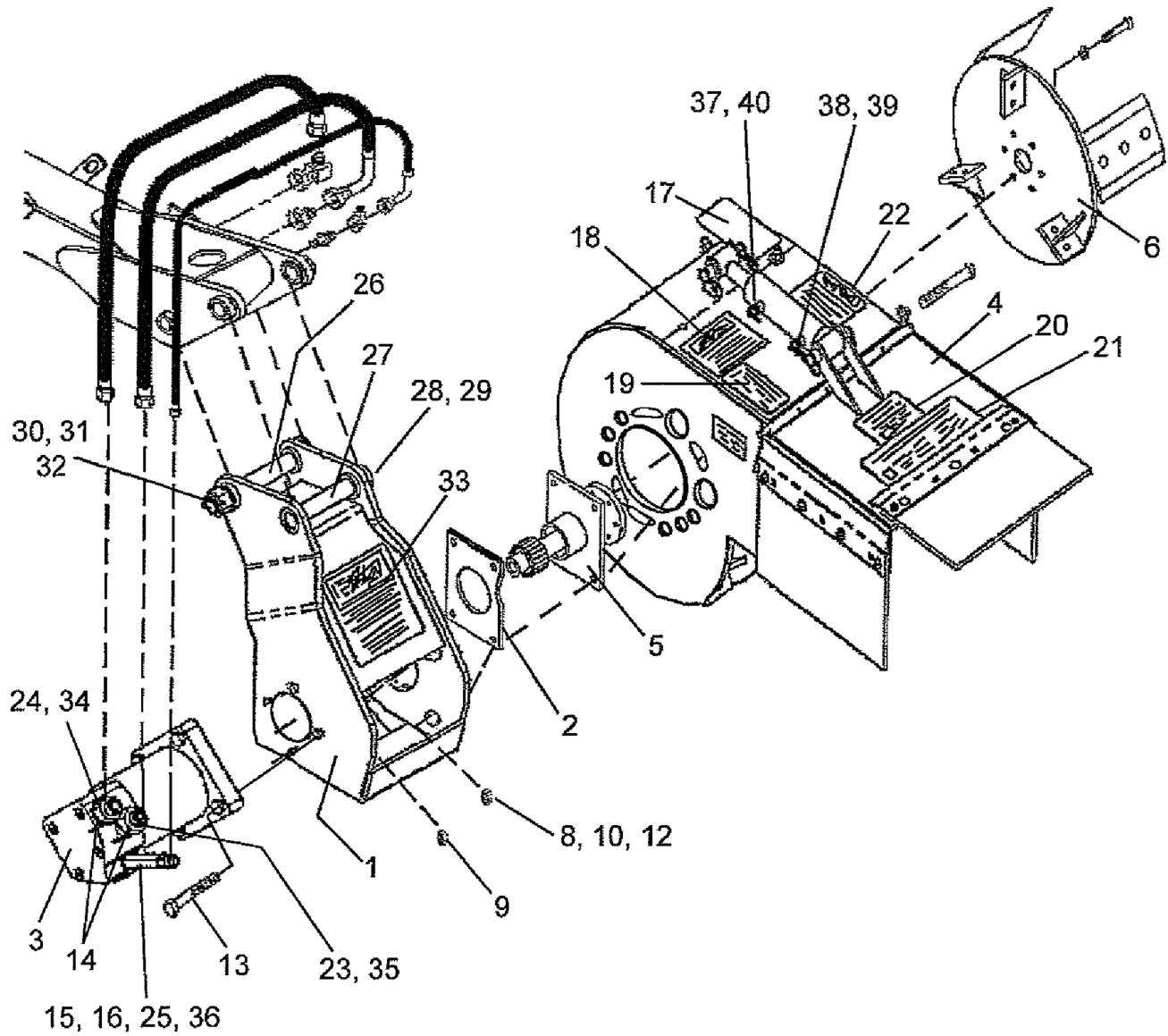


DITCHER BLADE HEAD ASY - ROUGH CUT

Continued...

ITEM	PART NO.	QTY.	DESCRIPTION
	02875301	1	BLADE, HEAD ASY - ROUGH CUT
1	02875400	1	BLADE HEAD WLD'MT
2	02875900	3	WEAR PLATE
3	02958680	3	WLD'MT, MOUNT BRKT-ROUGH CUT BL
4	02958675	3	BLADE - ROUGH CUT, DITCHER
5	00037200	6	LOCKNUT 3/4-NC GRC PL
6	00003901	6	LOCKWASHER 3/4 PL HEAVY
7	00001800	18	LOCKNUT, 1/2 NC PLB
8	02891800	12	HEX HEAD BOLT, 1/2 NC 1-3/4 PL8
9	02886900	6	CARB, 1/2-13UNC 1-1/2 PL5
10	02958684	6	CARB, 3/4 NC 2-1/2 PL5

DITCHER HEAD ASY



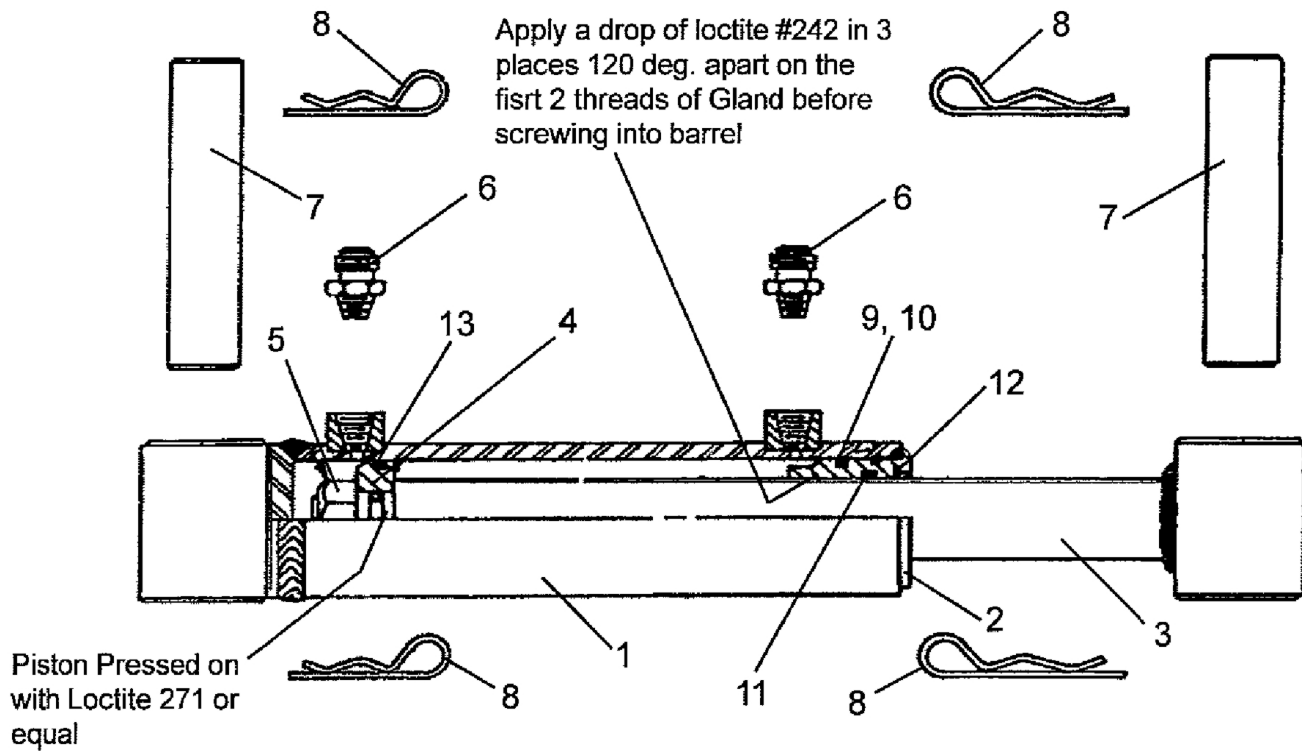
ITEM	PART NO.	QTY.	DESCRIPTION
	02982531	1	DITCHER ASY - DIPPER STYLE MOUNT
1	02984420	1	BOOM MOUNT DITCHER HITCHPOST MACHINED
2	02973583	1	PLATE SPACER ON DITCHER
3	02977703	1	MOTOR GEROLER, 7.95 CID
	02983465	1	SEAL KIT, REAR (F/ 02977703 MTR ONLY)
	02983466	1	SEAL KIT, SHAFT (F/ 02977703 MTR ONLY)
	02983467	1	SHAFT ASY, 1 1/4-14T (F/ 02977703 ONLY)
4	02873900	1	BLADE HOUSING ASY
5	02973336	1	SPINDLE ASY
6	02875301	1	BLADE HEAD ASY (ROUGH CUT)

DITCHER HEAD ASY

Continued...

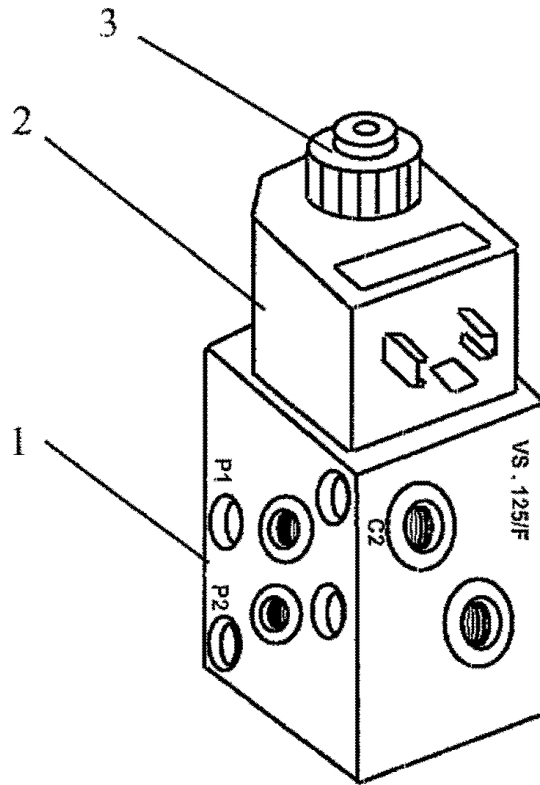
ITEM	PART NO.	QTY.	DESCRIPTION
7	00001300	6	LOCKWASHER
8	00002701	2	FLATWASHER
9	00001800	4	LOCKNUT
10	00037200	4	LOCKNUT
11	02891800	6	HEX HEAD BOLT, 1/2" NC 1-3/4" PL8
12	02881000	4	HEX HEAD BOLT, 3/4" NC 3-1/2" PL5
13	02027400	4	HEX HEAD BOLT, 1/2" NC 2-1/4" PL5
14	02980373	2	ADAPTER HYD STRAIGHT, 10MB - 16MJ
15	02980686	1	RELIEF VALVE INLINE, 160 PSI
16	00770346	1	ADAPTER HYD STRAIGHT
17	00725739	1	DECAL, WARNING SHIELDS & GRDS
18	02965262	1	DECAL, WARNING HOSE BURST
19	02925100	1	DECAL, REPLACEMENT PARTS
20	02960766	1	DECAL, ALAMO INDUSTRIAL LOGO
21	02970888	1	DECAL, BOOM DITCHER
22	999204	1	DECAL, DITCHER
23	02968894	1	PLASTIC TIE, 11"LG
24	02968896	1	PLASTIC TIE, 11"LG
25	02968895	1	PLASTIC TIE, 11"LG
26	02971720	1	PIN WELDMENT, 11-1/2"LG
27	02971756	1	CHROME PIN, 1-1/2" X 9"LG
28	00015800	1	LOCKNUT, 3/8"-NC PLC
29	02970595	1	HEX HEAD BOLT, 3/8" NC 2-3/4" PL8
30	02971701	1	SLOTTED NUT, 1-3/8" 12NF PLB
31	02971702	1	FLATWASHER, 1-3/8 "TYPE B NARROW
32	165020	1	COTTER PIN, 5/16" X 2-1/2" PL
33	02967827	1	DECAL, MULTI HAZ
34	02984539	1	HOSE, # 16 -16FJX -16FJX90 - 68"LG
35	02984538	1	HOSE, # 16 -16FJX -16FJX90 - 60"LG
36	02984540	1	HOSE, # 8 - 8FJX - 8FJX90 - 60"LG
37	02984541	1	HOSE, # 6 - 6FJX - 6FJX90 - 80"LG
38	02984542	1	HOSE, # 6 - 6FJX - 6FJX90 - 88"LG
39	02968837	1	PLASTIC TIE, 4"LG (YELLOW & WHITE)
40	02968836	1	PLASTIC TIE, 4"LG (YELLOW)

DITCHER HEAD DEFLECTOR CYLINDER



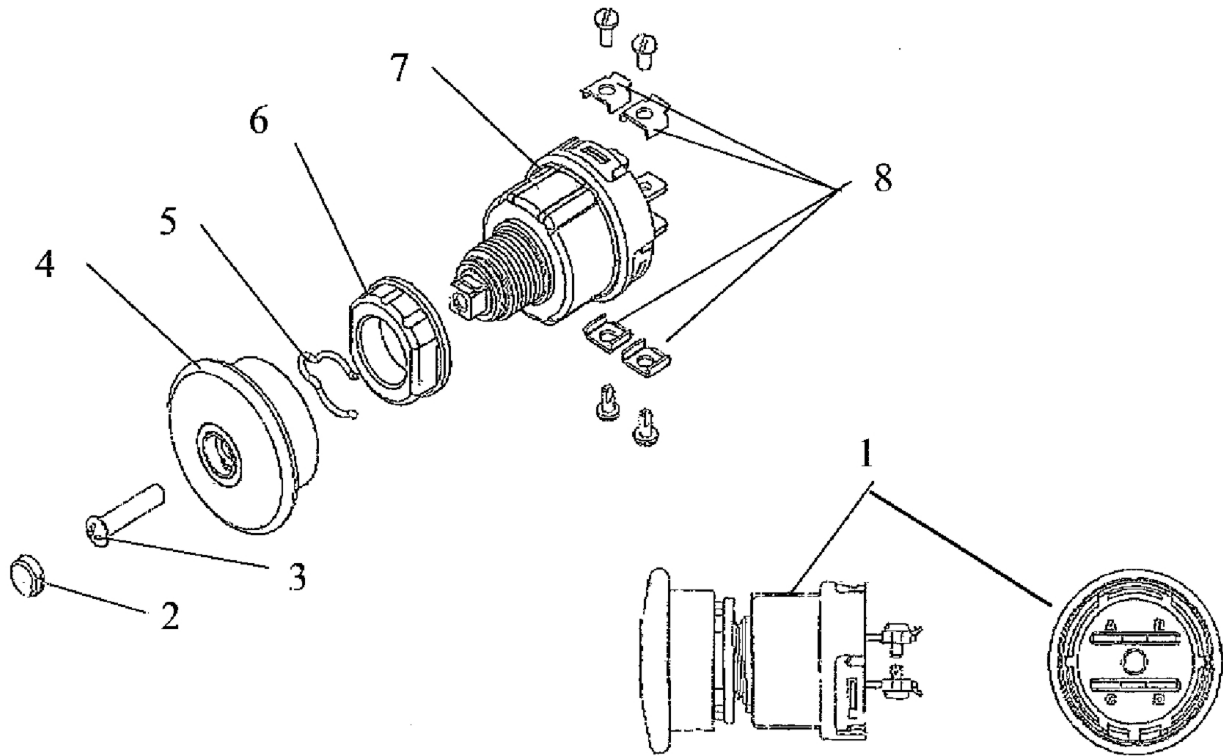
ITEM	PART NO.	QTY.	DESCRIPTION
	02956704	1	DEFLECTOR CYLINDER W/FITTINGS
	02811000A	1	HYD CYLINDER
1	02977664	1	TUBE WELDMENT
2	1417144	1	HEAD,CYLINDER
3	02977665	1	ROD WELDMENT
4	33309	1	PISTON
5	5JRC12160	1	LOCKNUT, 3/4" NF PLC
6	02042500	2	ADAPTER, HYD, STGHT
7	02276700	2	PIN-CYLINDER
8	02276800	4	PIN-CLIP
9*	-----	1	SEAL, GLAND
10*	-----	1	O-RING
11*	-----	1	SEAL, ROD
12*	-----	1	SEAL, ROD WIPER
13*	-----	1	SEAL PISTON
14	02975528	1	* SEAL KIT (ITEMS WITH * ARE INCLUDED IN SEAL KIT)

DIVERTER VALVE ASY - PN 02977622



ITEM	PART NO.	QTY.	DESCRIPTION
1	02977622	1	VALVE SOLENOID DIVERTER SOLENOID VALVE ASY
2	-----	1	SOLENOID
3	-----	1	SOLENOID RETAINING KNOB

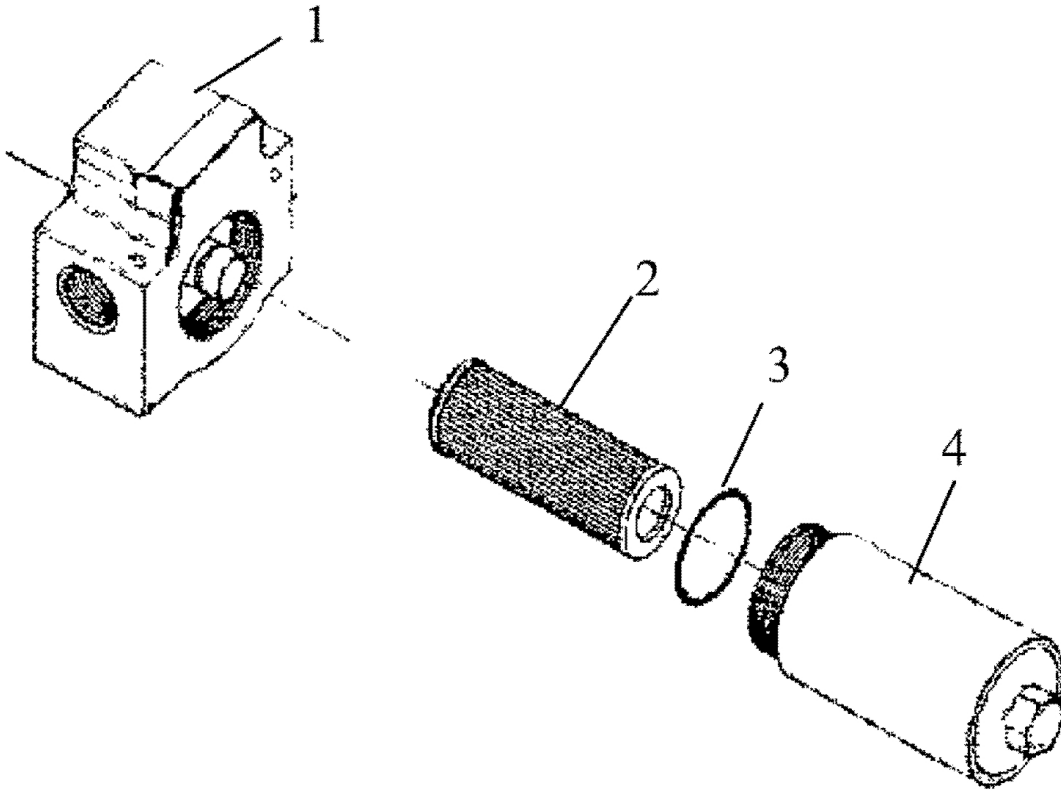
EMERGENCY STOP SWITCH - PN 02964028A



ITEM	PART NO.	QTY.	DESCRIPTION
1	02964028A	1	EMERGENCY STOP SWITCH ASY
2	-----	1	RETAINING SCREW PLUG, RED
3	-----	1	KNOB RETAINING SCREW
4	-----	1	KNOB, RED
5	-----	1	SWITCH DEPTH CONTROL CLIP
6	-----	1	SWITCH MOUNTING NUT
7	-----	1	SWITCH ONLY
8	-----	4	WIRE FASTENERS

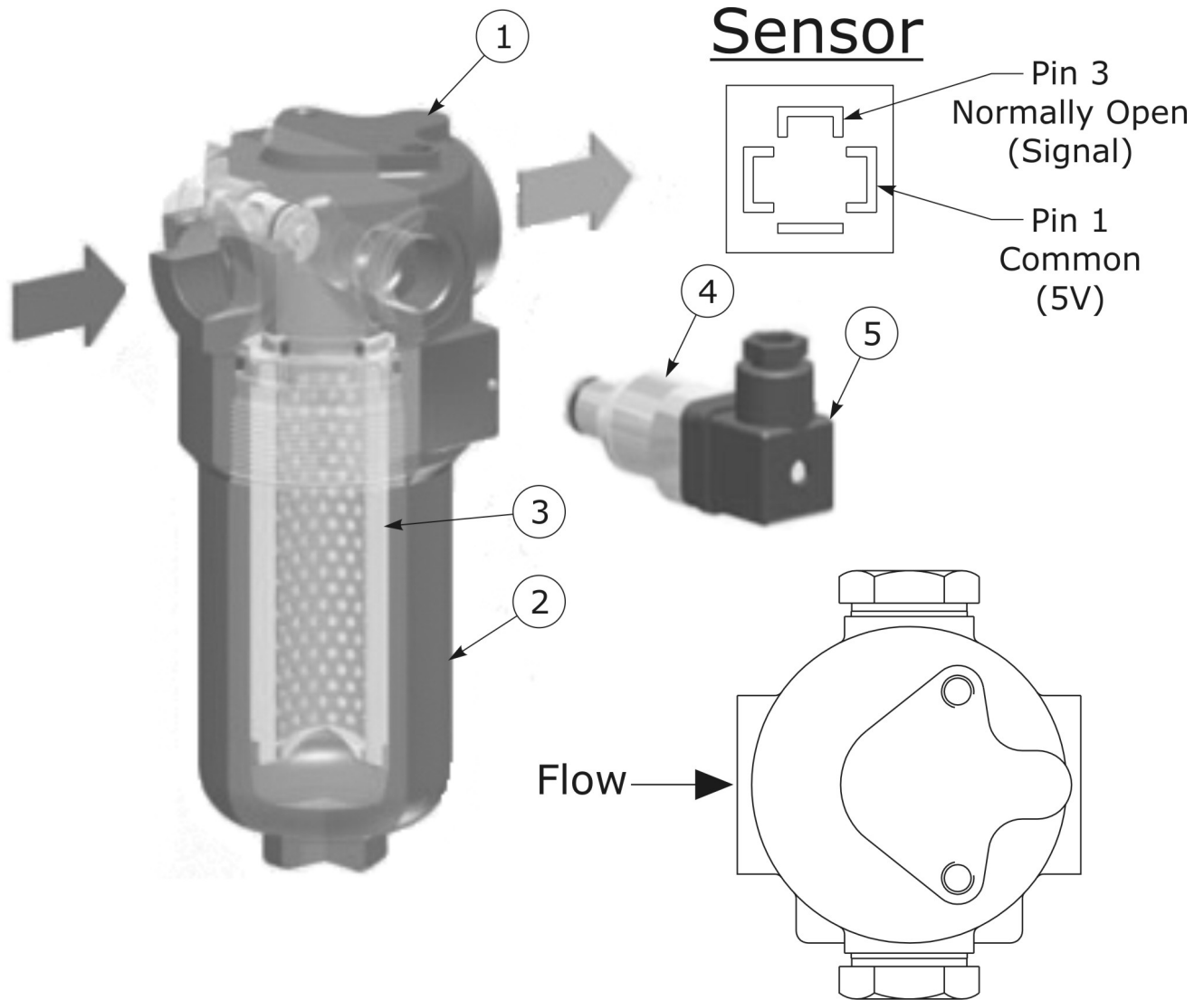
NOTE: THE EMERGENCY STOP SWITCH IS AVAILABLE AS AN ASSEMBLY ONLY. PARTS ARE LISTED AS A REFERENCE ONLY AND MAY NOT BE AVAILABLE.

FILTER ASY - PRESSURE - PN 02981371



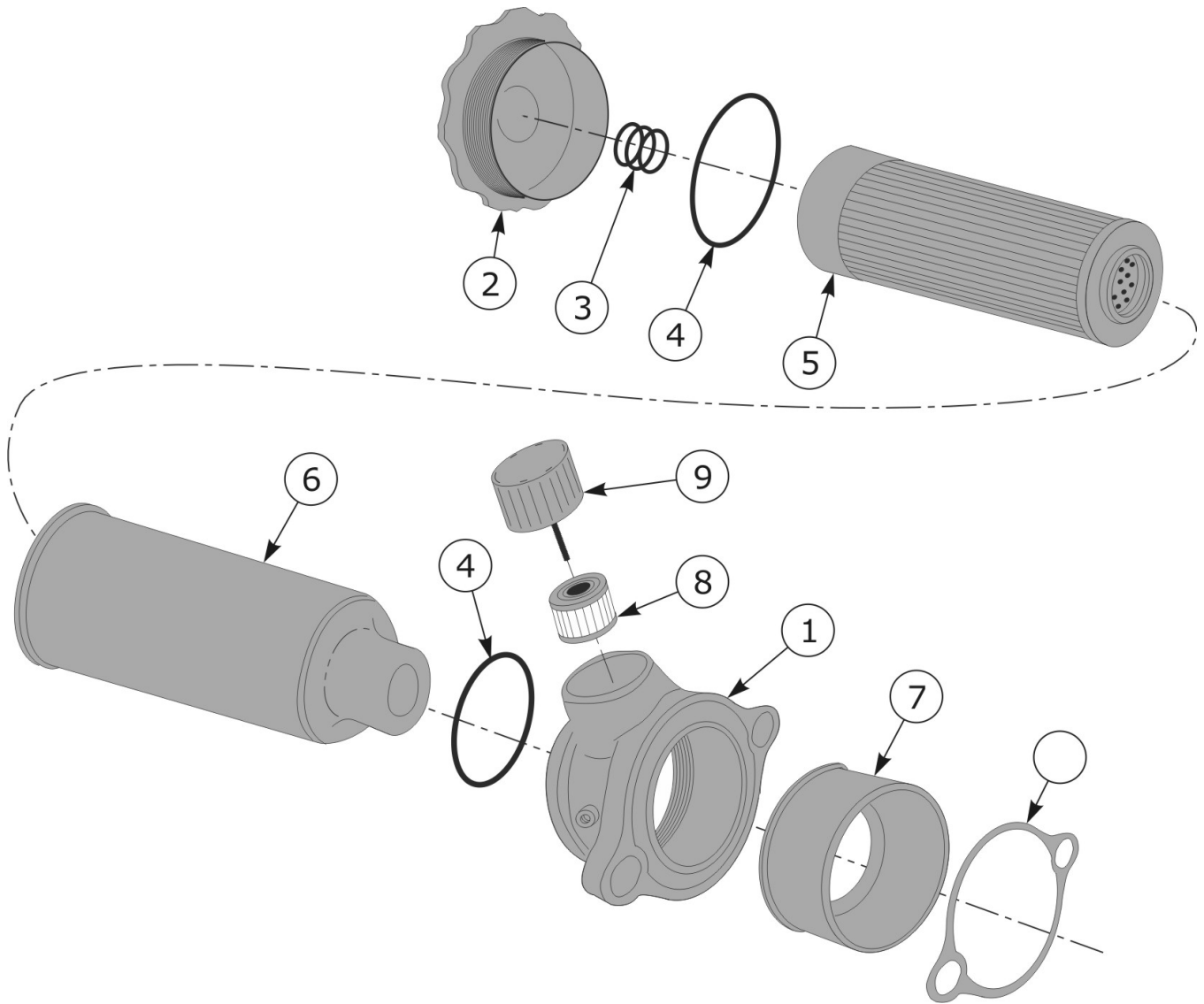
ITEM	PART NO.	QTY.	DESCRIPTION
	02981371	1	FILTER ASY, (HIGH PRESSURE)
1	02982037	1	FILTER HEAD
2	02982038	1	FILTER ELEMENT, (REPLACEMENT)
3	02982039	1	O-RING, (F/ FILTER BOWL)
4	02982040	1	FILTER BOWL

FILTER ASY - PRESSURE - PN 02985279



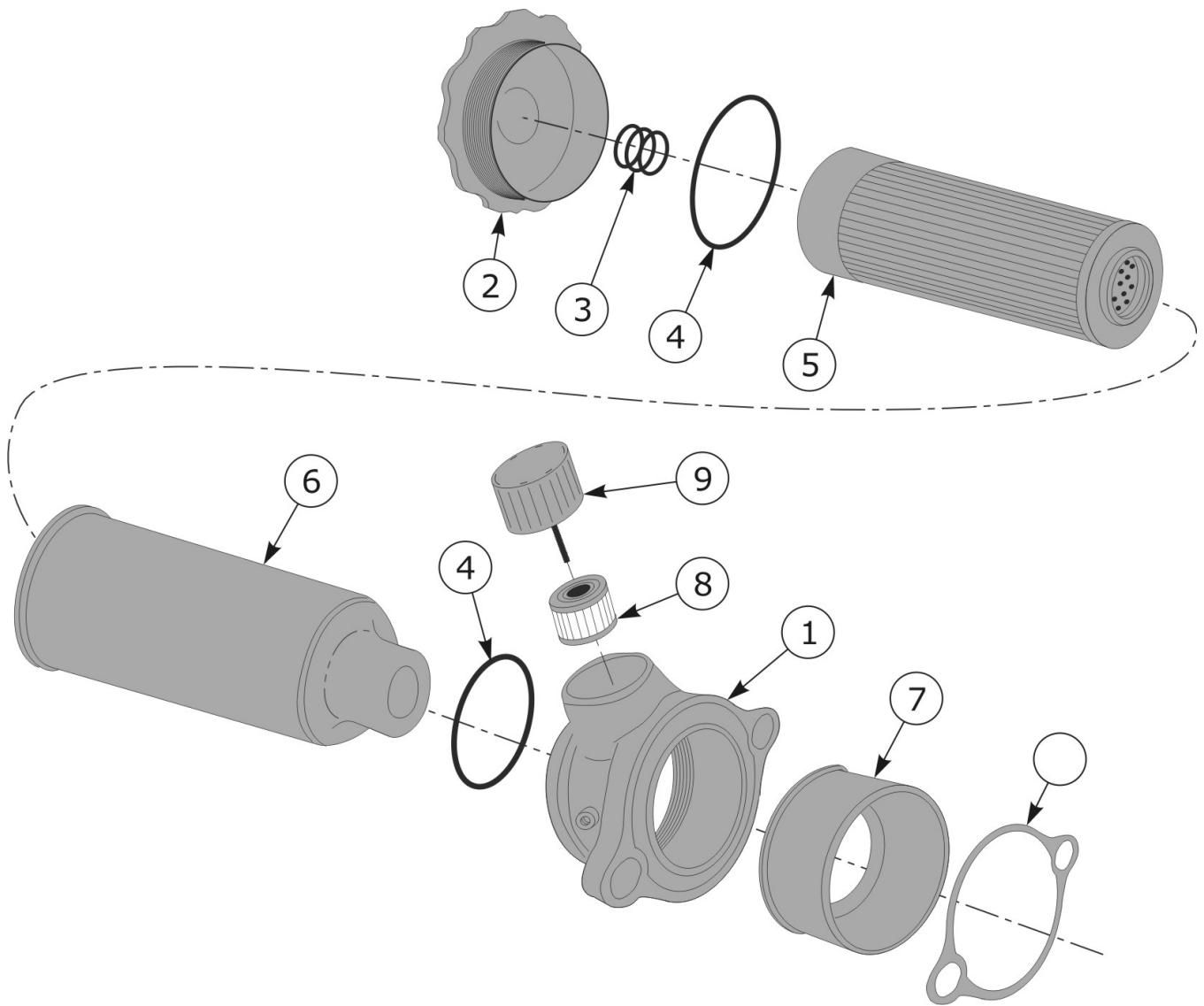
ITEM	PART NO.	QTY.	DESCRIPTION
-	02985279	1	FILTER ASY,PRESSURE,ELEC IND
1	02985281	1	FILTER ASY, HEAD
2	02985282	1	BOWL, FILTER ASY
3	02985283	1	FILTER, ELEMENT
4	02985284	1	INDICATOR, ELECTRICAL
5	002504	1	DIN CONNECTOR
-	02986516	1	SEAL KIT W/ O-RING

FILTER ASY - RETURN - PN 02981391



ITEM	PART NO.	QTY.	DESCRIPTION
	02981391	1	FILTER ASY, RETURN (IN TANK)
1	02981713	1	FILTER HEAD
2	02981714	1	COVER, FILTER HEAD
3	02981715	1	SPRING, FILTER HEAD
4	02981716	1	SEAL KIT
5	02981717	1	ELEMENT, REPLACEMENT
6	02981718	1	BOWL
7	02981719	1	GUARD, SPLASH
8	02981721	1	COVER, BREATHER
9	02981722	1	SENSOR SWITCH, PRESSURE (NOT SHOWN)

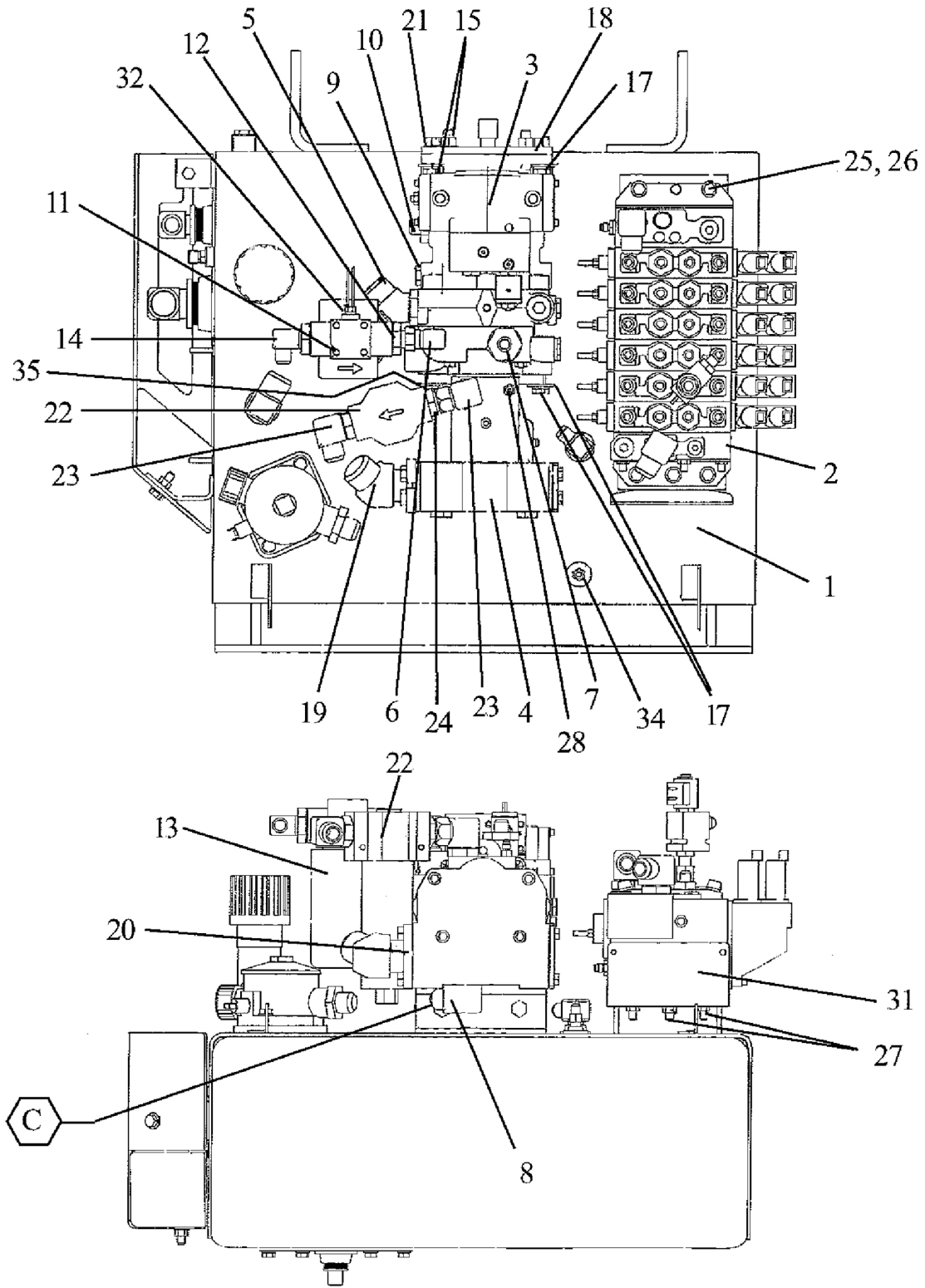
FILTER ASY - RETURN - PN 02985828



ITEM	PART NO.	QTY.	DESCRIPTION
	02985829	1	FILTER ASY, RETURN (IN TANK)
1	02981713	1	FILTER HEAD
2	02981714	1	COVER, FILTER HEAD
3	02981715	1	SPRING, FILTER HEAD
4	02981716	1	SEAL KIT
5	02981717	1	ELEMENT, REPLACEMENT
6	02981718	1	BOWL
7	02981719	1	GUARD, SPLASH
8	02981721	1	COVER, BREATHER
9	02987302	1	FILTER BYPASS INDICATOR (NOT SHOWN)

THIS PAGE INTENTIONAL LEFT BLANK

HYD ASY KIT - PN 02981803

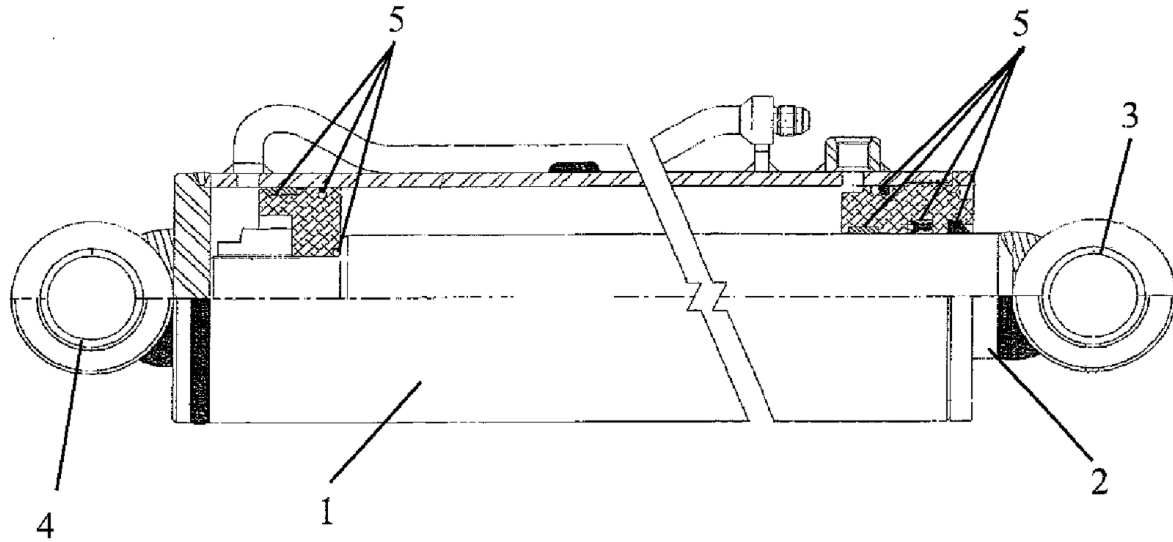


HYD ASY KIT - PN 02981803

Continued...

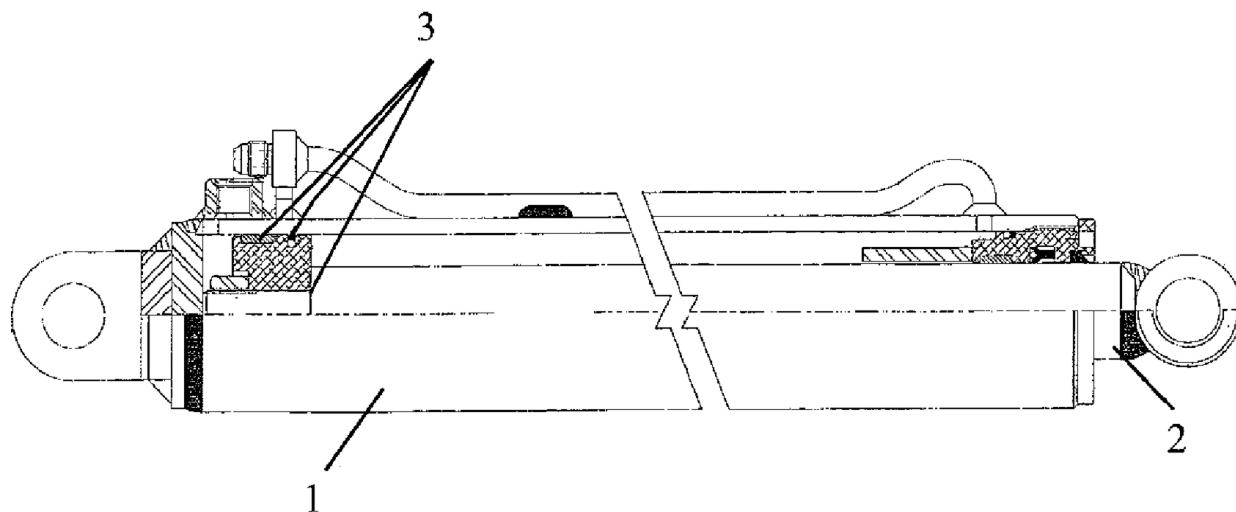
ITEM	PART NO.	QTY.	DESCRIPTION
	02981803	1	HYDRAULIC KIT ASY, 24â€™™ OR 30â€™™ MODEL
1	02981388	1	HYDRAULIC TANK ASY.
2	02981888	1	VALVE & FITTING ASY.
3	02978986	1	PUMP, HYDROSTAT
4	02981369	1	PUMP, LS VARIABLE DISP.
5	02043600	2	ADAPTER HYD, ELBOW 16MB -16MJ -45 DEG.
6	02981435	1	ADAPTER HYD, ELBOW 10MB - 10FJX - 90 DEG.
7	02968167	1	ADAPTER HYD, STRAIGHT 16MB - 8MJ
8	02822700	1	ADAPTER HYD, ELBOW 16MB - 16MJ - 90 DEG.
9	03200587	1	PLUG, HEX HEAD # 8MB
10	63042700	1	ADAPTER HYD, STRAIGHT 12MB - 8MJ
11	02981372	1	FILTER ASY, CHARGE PRESSURE
12	02982347	1	ADAPTER HYD, STRAIGHT 16MB - 10MJ
13	02968923	1	FILTER ELEMENT, REPLACEMENT
14	02972064	1	ADAPTER HYD, ELBOW 16MB - 8MJ - 90°
15	02892000	6	BOLT, HEX HEAD 1/2"-13NC X 1-1/2" PL GR8
16	00001300	4	LOCKWASHER, 1/2" PL STD
17	00759635	4	FLATWASHER, 1/2" HARDENED NON PLTD
18	02981468	1	BRACKET, SHIPPING
19	02981463	1	ADAPTER FLANGE, 1-1/4" X 20MJC - 45 DEG.
20	02981436	1	FLANGE KIT, 1-1/4"
21	00001800	4	LOCKNUT, 1/2"-NC PLB
22	02981371	1	FILTER ASY, MED PRESSURE
23	02090800	2	ADAPTER HYD, ELBOW 12MB - 12MJ - 90 DEG.
24	02964135	1	ADAPTER HYD, STRAIGHT 12MB - 12FJX
25	00753642	5	BOLT, HEX HEAD 3/8"-NC X 1-1/4" ZP GR5
26	00011100	5	FLATWASHER, 3/8" PL STD
27	00015800	5	LOCKNUT, 3/8"-NC PLB
28	02962181	2	ADAPTER, HYD, STRAIGHT 4MB - 4MJ
31	02981704	1	MOUNT MODULE
32	02981373	1	INDICATOR, ELECTRICAL
33	02982469	1	O-RING BETWEEN PUMPS - NOT SHOWN (4" ID X 1/16" W A5568 - 045)
34	02970702	1	ADAPTER, HYD TEE SWIVEL
35	02962181	1	ADAPTER, HYD STRAIGHT

HYD CYL ASY - DIPPER (24-30 FT BOOM) - PN 02981277



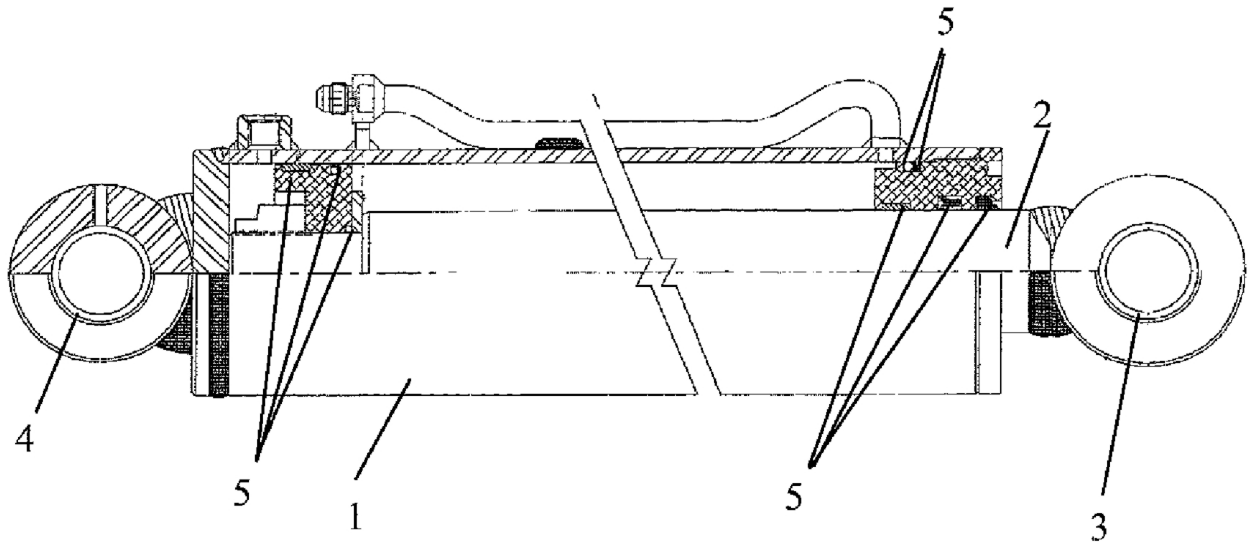
ITEM	PART NO.	QTY.	DESCRIPTION
	02981277	1	HYD CYLINDER ASY, DIPPER
1	02981925	1	BARREL WELDMENT
2	02981926	1	ROD ASY
3	02982250	2	BUSHING, ROD END 1-1/2" LONG
4	02982251	2	BUSHING, BASE END 2" LONG
5	02982068	1	SEAL KIT

HYD CYL ASY - EXTENSION (24-30 FT BOOM) - PN 02981276



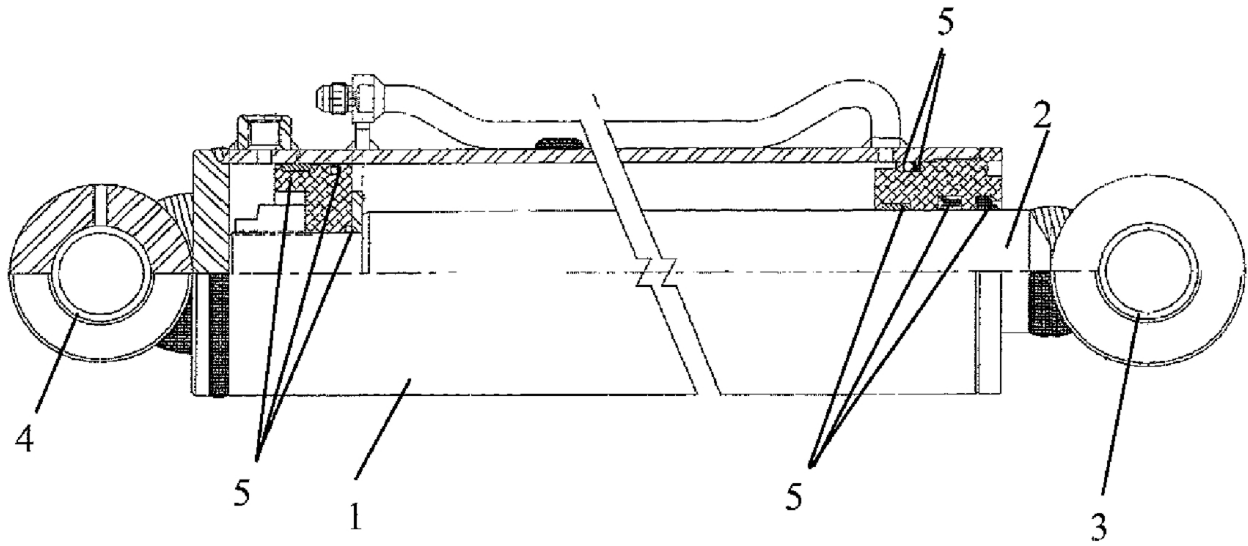
ITEM	PART NO.	QTY.	DESCRIPTION
	02981276	1	HYD CYLINDER ASY, BOOM EXTENSION
1	02981923	1	BARREL WELDMENT
2	02981924	1	ROD ASY
3	02982067	1	SEAL KIT

HYD CYL ASY - LIFT (24 FT BOOM) - PN 02981279



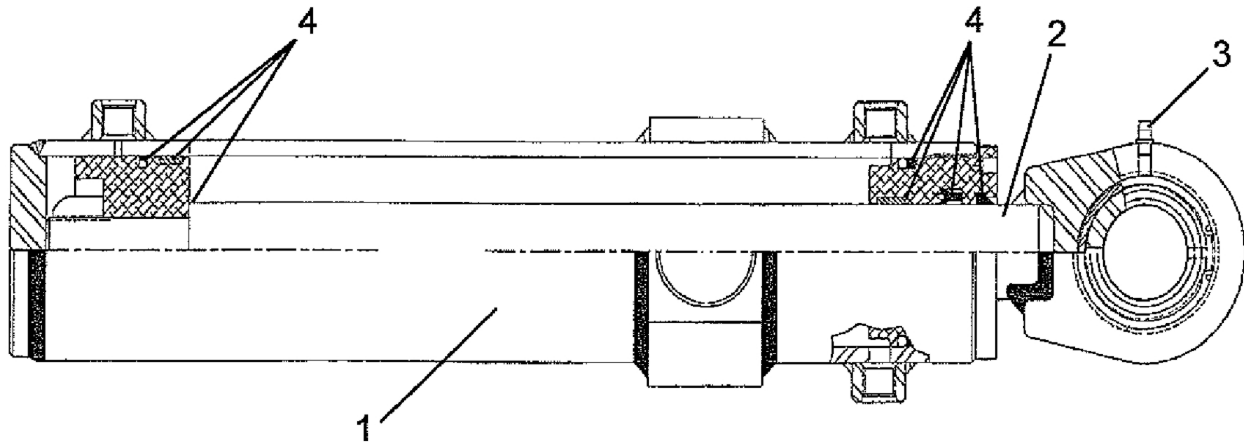
ITEM	PART NO.	QTY.	DESCRIPTION
	02981279	1	HYD CYLINDER ASY, LIFT 24 FT. BOOM
1	02981929	1	BARREL WELDMENT
2	02981930	1	ROD ASY
3	02982250	2	BUSHING, ROD END 1-1/2" LONG
4	02982251	2	BUSHING, BASE END 2" LONG
5	02982068	1	SEAL KIT

HYD CYL ASY - LIFT (30 FT BOOM) - PN 02981278



ITEM	PART NO.	QTY.	DESCRIPTION
	02981278	1	HYD CYLINDER ASY, LIFT 30 FT. BOOM
1	02981927	1	BARREL WELDMENT
2	02981828	1	ROD ASY
3	02982250	2	BUSHING, ROD END 1-1/2" LONG
4	02982251	2	BUSHING, BASE END 2" LONG
5	02982069	1	SEAL KIT

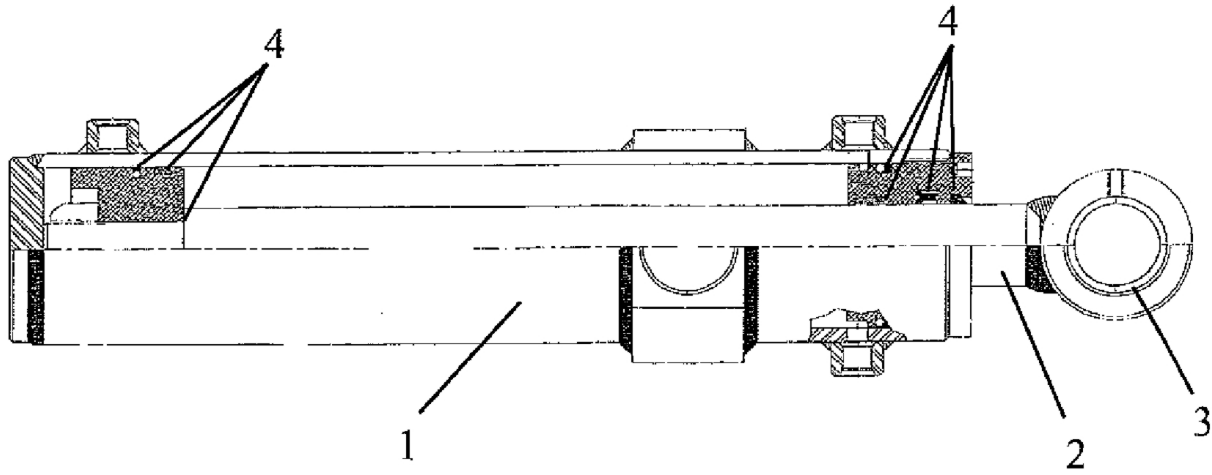
HYD CYL ASY - SWING W/ SPHERICAL ROD END (24/30 FT) - PN 02981275A



ITEM	PART NO.	QTY.	DESCRIPTION
	02981275A	1	HYD CYL ASY, SWING CYL (W/ SPHERICAL ROD END)
1	02981921	1	BARREL WELDMENT
2	02981922A	1	ROD ASY (W/ SPHERICAL ROD END)
3	00752670	1	GREASE FITTING
4	02982068	1	SEAL KIT

NOTE:THE SWING CYLINDER THERE ARE TWO TYPES OF ROD ENDS, THE WELDED ON TUBE AND THE WELDED ON SPHERICAL END. CHECK WHICH YOU HAVE BEFORE ORDERING CYLINDER ROD (ITEM 2). QTY SHOWN IS FOR ONE CYLINDER, THERE ARE TWO SWING CYLINDERS PER MAVERICK BOOM.

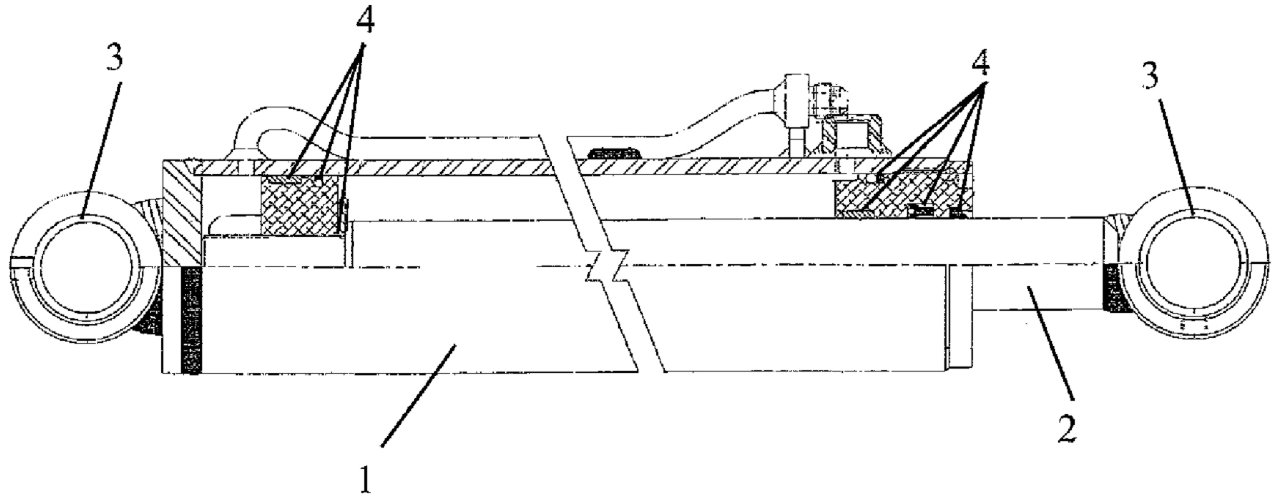
HYD CYL ASY - SWING W/ TUBE ROD END (24/30 FT) - PN 02981275



ITEM	PART NO.	QTY.	DESCRIPTION
	02981275	1	HYD CYL ASY, SWING CYL (W/ TUBE ROD END)
1	02981921	1	BARREL ASY
2	02981922	1	ROD ASY (W/ TUBE ROD END)
3	00752670	1	GREASE FITTING 1/4-28 BOLT THD
4	02982068	1	SEAL KIT

NOTE:QTY SHOWN IS FOR ONE CYLINDER, THERE ARE TWO SWING CYLINDERS PER MAVERICK BOOM. THE SWING CYLINDER THERE ARE TWO TYPES OF ROD ENDS, THE WELDED ON TUBE AND THE WELDED ON SPHERICAL END. CHECK WHICH YOU HAVE BEFORE ORDERING CYLINDER ROD (ITEM 2).

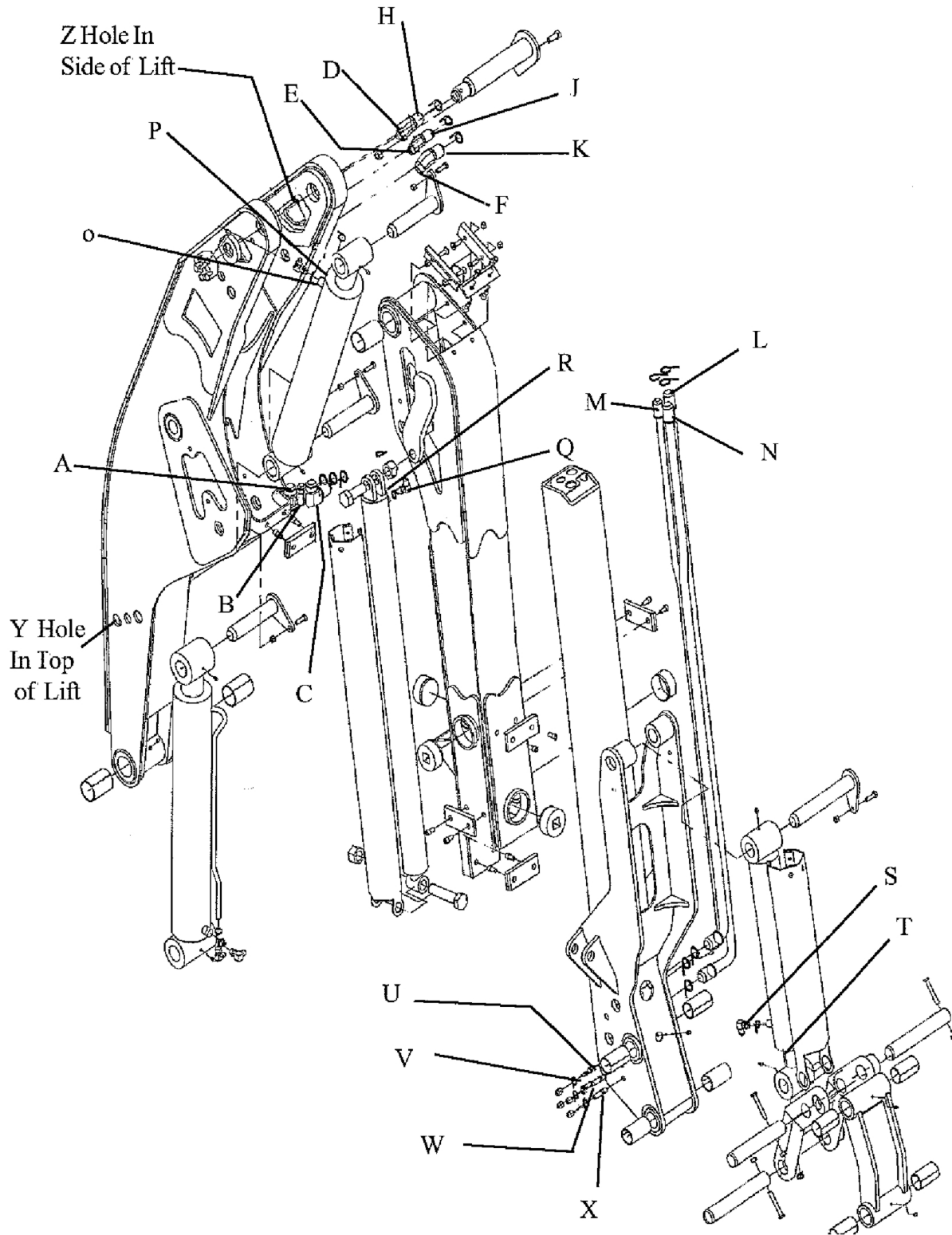
HYD CYL ASY - TILT (24-30 FT BOOM) - PN 02981280



ITEM	PART NO.	QTY.	DESCRIPTION
	02981280	1	HYD CYLINDER ASY, HEAD TILT
1	02981931	1	BARREL WELDMENT
2	02981932	1	ROD ASY
3	02982250	4	BUSHING
4	02982071	1	SEAL KIT

THIS PAGE INTENTIONAL LEFT BLANK

HYD HOSE ROUTING - BOOM - 24 FT BOOM



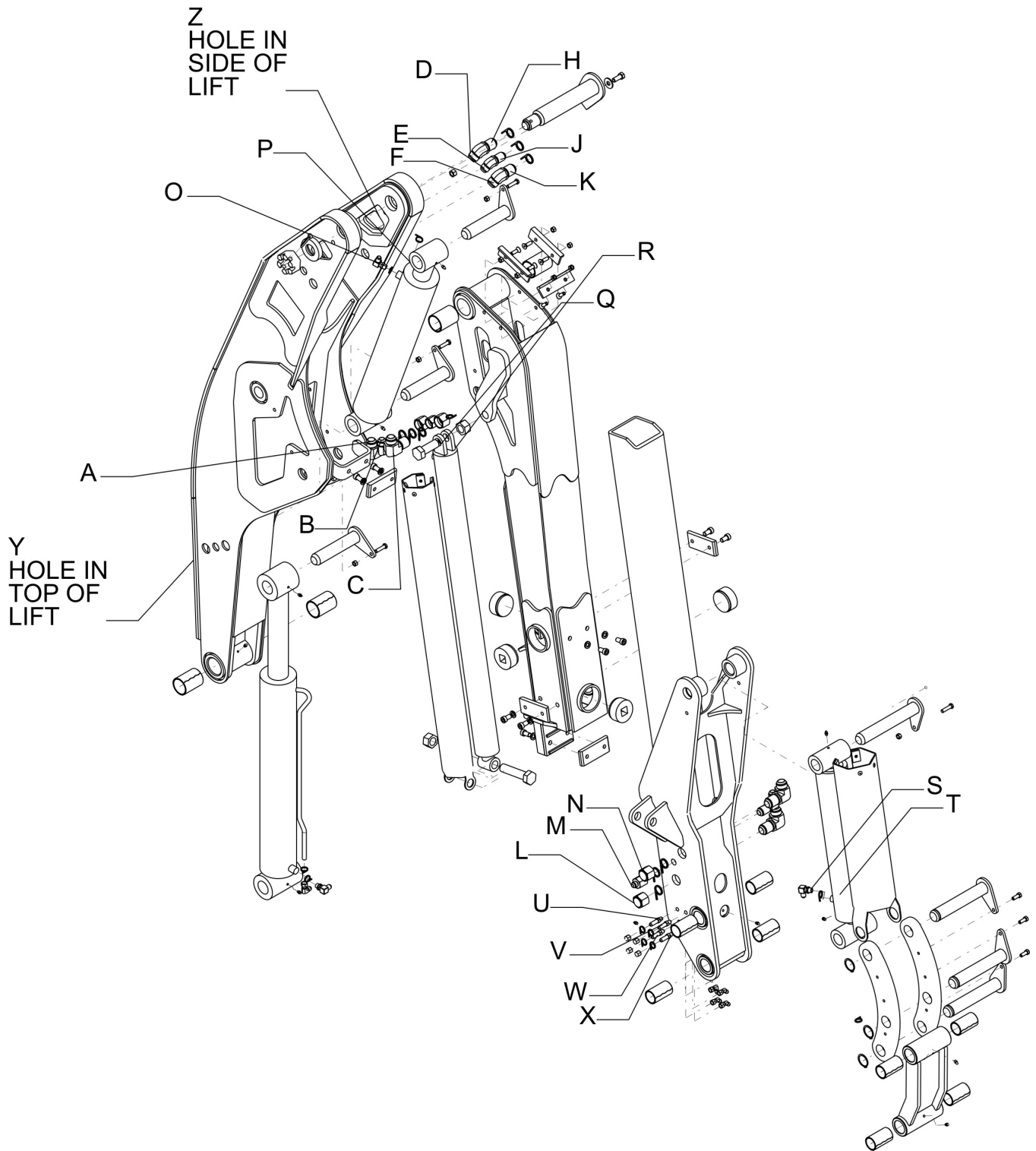
HYD HOSE ROUTING - BOOM - 24 FT BOOM

Continued...

ITEM	PART NO.	QTY.	DESCRIPTION
1	02981823	1	HOSE, #4-4MJ-4FJX-76"LG-YEL TIE-DOOR (LIFT SECT'N)
2	02981824	1	HOSE, #4-4MJ-4FJX-76"LG-YEL/W TIE-DOOR (LIFT SECT'N)
3	02981828	1	HOSE, #4-4MJ-4FJX-76"LG-GRN TIE-SWIVEL (LIFT SECT'N)
4	02981829	1	HOSE, #4-4MJ-4FJX-76"LG-GRN/W SWIVEL (LIFT SECT'N)
7	02981832	1	HOSE, #6-6MJ-6FJX-76"LG-RED TIE-TILT (LIFT SECT'N)
8	02981833	1	HOSE, #6-6MJ-6FJX-76"LG-RED/W TIE-TILT (LIFT SECT'N)
9	02981834	1	HOSE, #6-6MJ-6FJX-102"LG-BLU TIE-DIPPER
10	02981835	1	HOSE, #6-6MJ-6FJX-102"LG-BLU/W TIE-DIPPER
11	02981836	1	HOSE, #6-6MJ-6FJX-120"LG-YEL TIE-EXT'N (DIPPER SECT'N)
12	02981837	1	HOSE, #6-6MJ-6FJX-120"LG-YEL/W TIE-EXT'N (DIPPER SECT'N)
13	02981838	1	HOSE, #4-4MJ-4FJX-176"LG-YEL TIE-DOOR (DIPPER SECT'N)
14	02981839	1	HOSE, #4-4MJ-4FJX-176"LG-YEL/W TIE-DOOR (DIPPER SECT'N)
15	02981840	1	HOSE, #4-4MJ-4FJX-176"LG-GRN TIE-SWIVEL (DIPPER SECT'N)
16	02981841	1	HOSE, #4-4MJ-4FJX-176"LG-GRN/W TIE-SWIVEL (DIPPER SECT'N)
17	02981842	1	HOSE, #6-6MJ-6FJX-176"LG-RED TIE-TILT (DIPPER SECT'N)
18	02981843	1	HOSE, #6-6MJ-6FJX-176"LG-RED/W TIE-TILT (DIPPER SECT'N)
19	02981846	1	HOSE, #16-16FJX-16FJX90-102"LG-RED TIE-MOTOR PRESSURE (LIFT SECT'N)
20	02981847	1	HOSE, #16-16FJX-16FJX90-102"LG-ORG TIE-MOTOR RETURN (LIFT SECT'N)
21	02981848	1	HOSE, #16-16FJX-16FJX-54"LG-RED TIE-MOTOR PRESSURE (DIPPER SECT'N)
22	02981849	1	HOSE, #16-16FJX-16FJX-58"LG-ORG TIE-MOTOR RETURN (DIPPER SECT'N)
23	02981850	1	HOSE, #12-12FJX-12FJX90-102"LG-BLU TIE-CASE DRAIN (LIFT SECT'N)
24	02981851	1	HOSE, #12-12FJX-12FJX-56"LG-BLU TIE-CASE DRAIN (DIPPER SECT'N)

NOTE:HOSE END-1 & END-2, THESE ARE WHERE THE ENDS OF THAT HOSE CONNECT, THE LETTER SHOWS LOCATION OF THAT END AND () SHOW TYPE HOSE FITTING AT THAT END. THE HOSES HAVE PLASTIC TIES ON THE TO SHOW WHICH HOSE IS WHICH. THE COLORS ARE ABBREVIATED TO YEL = YELLOW, YEL/W = YELLOW WITH WHITER STRIPE, GRN = GREEN, GRN/W= GREEN WITH WHITE STRIPE, RED = RED, RED/W = RED WITH WHITE STRIPE, BLU - BLUE, BLU/W = BLUE WITH WHITE STRIPE, ORG = ORANGE, ORG (SECT'N) = LOCATION WHERE HOSE IS LOCATED ON BOOM

HYD HOSE ROUTING - BOOM - 24 FT BOOM NEW



ITEM	PART NO.	QTY.	DESCRIPTION
	02981823	1	HOSE #4-4FJX-4MJ-76LG DOOR YLW (LIFT)
	02981824	1	HOSE #4-4FJX-4MJ-76LG DOOR Y/W (LIFT)

HYD HOSE ROUTING - BOOM - 24 FT BOOM NEW

Continued...

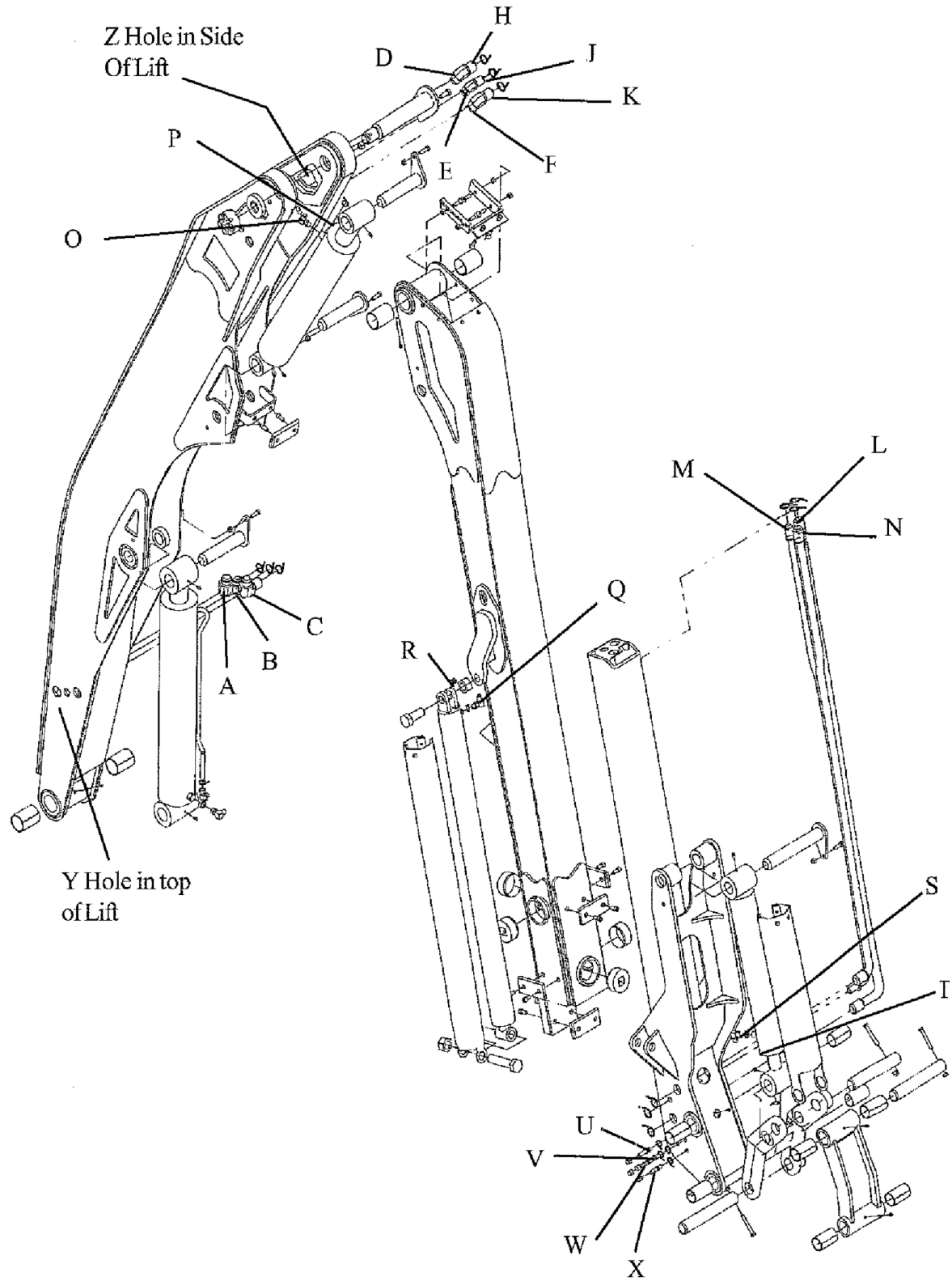
ITEM	PART NO.	QTY.	DESCRIPTION
	02981828	1	HOSE #4-4FJX-4MJ-76LG SWIVEL GRN (LIFT)
	02981829	1	HOSE #4-4FJX-4MJ-76LG SWIVEL G/W (LIFT)
	02981832	1	HOSE #6-6FJX-6MJ-76LG TILT RED (LIFT)
	02981833	1	HOSE #6-6FJX-6MJ-76LG TILT R/W (LIFT)
	02981834	1	HOSE #6-6FJX-6MJ-102LG DIPPER BLU
	02981835	1	HOSE #6-6FJX-6MJ-102LG DIPPER B/W
	02981836	1	HOSE #6-6FJX-6MJ-120LG EXTENSION YLW (DIPPER)
	02981837	1	HOSE #6-6FJX-6MJ-120LG EXTENSION Y/W (DIPPER)
	02981838	1	HOSE #4-4FJX-4MJ-176LG DOOR YLW (DIPPER)
	02981839	1	HOSE #4-4FJX-4MJ-176LG DOOR Y/W (DIPPER)
	02981840	1	HOSE #4-4FJX-4MJ-176LG SWIVEL GRN (DIPPER)
	02981841	1	HOSE #4-4FJX-4MJ-176LG SWIVEL G/W (DIPPER)
	02981842	1	HOSE #6-6FJX-6MJ-176LG TILT RED (DIPPER)
	02981843	1	HOSE #6-6FJX-6MJ-176LG TILT R/W (DIPPER)
	02986749	1	HOSE #16-16FJX-16FJX90-164LG MOTOR PRESSURE RED (LIFT)
	02986750	1	HOSE #16-16FJX-16FJX90-160LG MOTOR RETURN ORG (LIFT)
	02981848	1	HOSE #16-16FJX-16FJX-54LG MOTOR PRESSURE RED (DIPPER)
	02981849	1	HOSE #16-16FJX-16FJX-58LG MOTOR RETURN ORG (DIPPER)
	02986751	1	HOSE #12-12FJX-12FJX90-162LG CASE DRAIN BLU (LIFT)
	02981851	1	HOSE #12-12FJX-12FJX-56LG CASE DRAIN BLU (DIPPER)

HYD HOSE ROUTING - BOOM - 24 FT BOOM NEW HOSE ROUTING

Hose Part Number	Description	Connection 1	Connection 2
02981823	Door YLW (Lift)	Y (MJ)	Z (FJX)
02981824	Door Y/W (Lift)	Y (MJ)	Z (FJX)
02981828	Swivel GRN (Lift)	Y (MJ)	Z (FJX)
02981829	Swivel G/W (Lift)	Y (MJ)	Z (FJX)
02981832	Tilt RED (Lift)	Y (MJ)	Z (FJX)
02981833	Tilt R/W (lift)	Y (MJ)	Z (FJX)
02981834	Dipper BLU	Y (MJ)	O (FJX)
02981835	Dipper B/W	Y (MJ)	P (FJX)
02981836	Extension YLW (Dipper)	Z (MJ)	R (FJX)
02981837	Extension Y/W (Dipper)	Z (MJ)	Q (FJX)
02981838	Door YLW (Dipper)	Z (MJ)	V (FJX)
02981839	Door Y/W (Dipper)	Z (MJ)	U (FJX)
02981840	Swivel GRN (Dipper)	Z (MJ)	X (FJX)
02981841	Swivel G/W (Dipper)	Z (MJ)	W (FJX)
02981842	Tilt RED (Dipper)	Z (MJ)	S (FJX)
02981843	Tilt R/W (Dipper)	Z (MJ)	T (FJX)
02986749	Motor Pressure RED (Lift)	K (FJX)	L (FJX)
02986750	Motor Return ORG (Lift)	H (FJX)	N (FJX)
02981848	Motor Pressure RED (Dipper)	C (FJX)	F (FJX)
02981849	Motor Return ORG (Dipper)	A (FJX)	D (FJX)
02986751	Case Drain BLU (Lift)	J (FJX)	M (FJX)
02981851	Case Drain BLU (Dipper)	B (FJX)	E (FJX)

THIS PAGE INTENTIONAL LEFT BLANK

HYD HOSE ROUTING - BOOM - 30 FT BOOM



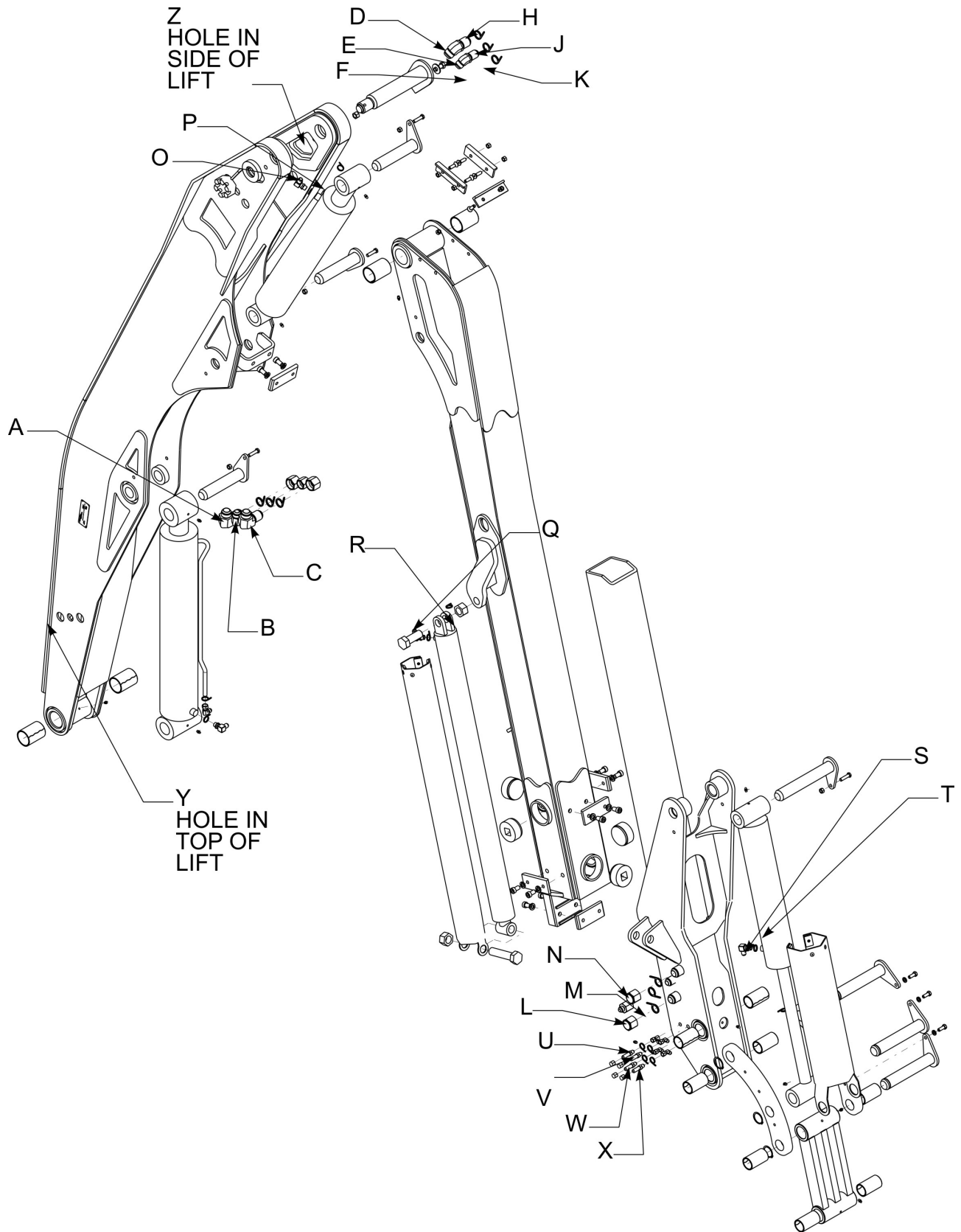
HYD HOSE ROUTING - BOOM - 30 FT BOOM

Continued...

ITEM	PART NO.	QTY.	DESCRIPTION
1	02981879	1	HOSE, #4-4MJ-4FJX-115"LG-YEL TIE-DOOR (LIFT SECT'N)
2	02981880	1	HOSE, #4-4MJ-4FJX-115"LG-YEL/W TIE-DOOR (LIFT SECT'N)
3	02981855	1	HOSE, #4-4MJ-4FJX-115"LG-GRN TIE-SWIVEL (LIFT SECT'N)
4	02981856	1	HOSE, #4-4MJ-4FJX-115"LG-GRN/W SWIVEL (LIFT SECT'N)
5	02981857	1	HOSE, #6-6MJ-6FJX-115"LG-YEL TIE-EXT'N (LIFT SECT'N)
6	02981858	1	HOSE, #6-6MJ-6FJX-115"LG-YEL/W TIE-EXT'N (LIFT SECT'N)
7	02981859	1	HOSE, #6-6MJ-6FJX-115"LG-RED TIE-TILT (LIFT SECT'N)
8	02981860	1	HOSE, #6-6MJ-6FJX-115"LG-RED/W TIE-TILT (LIFT SECT'N)
9	02981861	1	HOSE, #6-6MJ-6FJX-130"LG-BLU TIE-DIPPER
10	02981862	1	HOSE, #6-6MJ-6FJX-130"LG-BLU/W TIE-DIPPER
11	02981863	1	HOSE, #6-6MJ-6FJX-125"LG-YEL TIE-EXT'N (DIPPER SECT'N)
12	02981864	1	HOSE, #6-6MJ-6FJX-125"LG-YEL/W TIE-EXT'N (DIPPER SECT'N)
13	02981865	1	HOSE, #4-4MJ-4FJX-214"LG-YEL TIE-DOOR (DIPPER SECT'N)
14	02981866	1	HOSE, #4-4MJ-4FJX-214"LG-YEL/W TIE-DOOR (DIPPER SECT'N)
15	02981867	1	HOSE, #4-4MJ-4FJX-214"LG-GRN TIE-SWIVEL (DIPPER SECT'N)
16	02981868	1	HOSE, #4-4MJ-4FJX-214"LG-GRN/W TIE-SWIVEL (DIPPER SECT'N)
17	02981869	1	HOSE, #6-6MJ-6FJX-214"LG-RED TIE-TILT (DIPPER SECT'N)
18	02981870	1	HOSE, #6-6MJ-6FJX-214"LG-RED/W TIE-TILT (DIPPER SECT'N)
19	02981873	1	HOSE, #16-16FJX-16FJX90-140"LG-RED TIE-MOTOR PRESSURE (LIFT SECT'N)
20	02981874	1	HOSE, #16-16FJX-16FJX90-140"LG-ORG TIE-MOTOR RETURN (LIFT SECT'N)
21	02981875	1	HOSE, #16-16FJX-16FJX-94"LG-RED TIE-MOTOR PRESSURE (DIPPER SECT'N)
22	02981876	1	HOSE, #16-16FJX-16FJX-98"LG-ORG TIE-MOTOR RETURN (DIPPER SECT'N)
23	02981877	1	HOSE, #12-12FJX-12FJX90-140"LG-BLU TIE-CASE DRAIN (LIFT SECT'N)
24	02981878	1	HOSE, #12-12FJX-12FJX-96"LG-BLU TIE-CASE DRAIN (DIPPER SECT'N)

NOTE:HOSE END-1 & END-2, THESE ARE WHERE THE ENDS OF THAT HOSE CONNECT, THE LETTER SHOWS LOCATION OF THAT END AND () SHOW TYPE HOSE FITTING AT THAT END. THE HOSES HAVE PLASTIC TIES ON THE TO SHOW WHICH HOSE IS WHICH. THE COLORS ARE ABBREVIATED TO YEL = YELLOW, YEL/W = YELLOW WITH WHITER STRIPE, GRN = GREEN, GRN/W= GREEN WITH WHITE STRIPE, RED = RED, RED/W = RED WITH WHITE STRIPE, BLU - BLUE, BLU/W = BLUE WITH WHITE STRIPE, ORG = ORANGE, ORG (SECT'N) = LOCATION WHERE HOSE IS LOCATED ON BOOM

HYD HOSE ROUTING - BOOM - 30 FT BOOM NEW



HYD HOSE ROUTING - BOOM - 30 FT BOOM NEW

Continued...

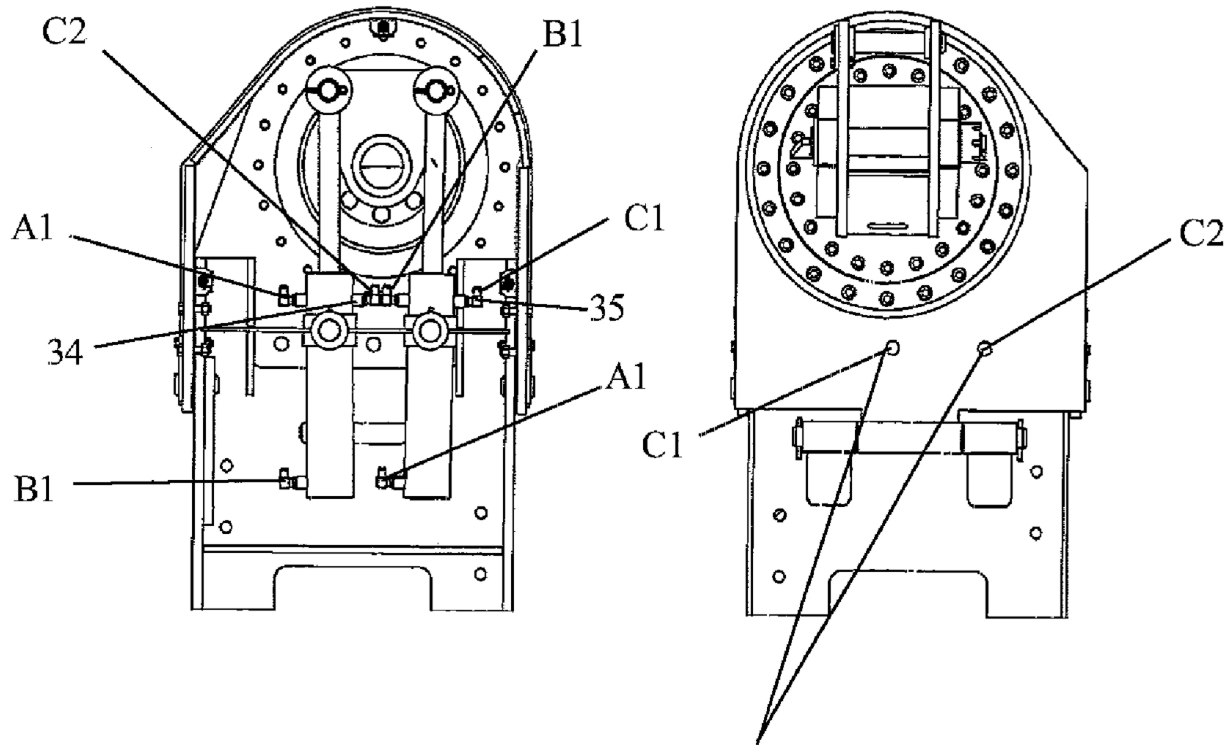
ITEM	PART NO.	QTY.	DESCRIPTION
1	02981879	1	HOSE #4-4FJX-4MJ-115LG DOOR YLW (LIFT)
2	02981880	1	HOSE #4-4FJX-4MJ-115LG DOOR Y/W (LIFT)
3	02981855	1	HOSE #4-4FJX-4MJ-115LG SWIVEL GRN (LIFT)
4	02981856	1	HOSE #4-4FJX-4MJ-115LG SWIVEL G/W (LIFT)
5	02981857	1	HOSE #6-6FJX-6MJ-115LG EXTENSION YLW (LIFT)
6	02981858	1	HOSE #6-6FJX-6MJ-115LG EXTENSION Y/W (LIFT)
7	02981859	1	HOSE #6-6FJX-6MJ-115LG TILT RED (LIFT)
8	02981860	1	HOSE #6-6FJX-6MJ-115LG TILT R/W (LIFT)
9	02981861	1	HOSE #6-6FJX-6MJ-130LG DIPPER BLU
10	02981862	1	HOSE #6-6FJX-6MJ-130LG DIPPER B/W
11	02981863	1	HOSE #6-6FJX-6MJ-80LG EXTENSION YLW (DIPPER)
12	02981864	1	HOSE #6-6FJX-6MJ-80LG EXTENSION Y/W (DIPPER)
13	02981865	1	HOSE #4-4FJX-4MJ-214LG DOOR YLW (DIPPER)
14	02981866	1	HOSE #4-4FJX-4MJ-214LG DOOR Y/W (DIPPER)
15	02981867	1	HOSE #4-4FJX-4MJ-214LG SWIVEL GRN (DIPPER)
16	02981868	1	HOSE #4-4FJX-4MJ-214LG SWIVEL G/W (DIPPER)
17	02981869	1	HOSE #6-6FJX-6MJ-214LG TILT RED (DIPPER)
18	02981870	1	HOSE #6-6FJX-6MJ-214LG TILT R/W (DIPPER)
19	02986739	1	HOSE #16-16FJX-16FJX90-202LG MOTOR PRESSURE RED (LIFT)
20	02986740	1	HOSE #16-16FJX-16FJX90-198LG MOTOR RETURN ORG (LIFT)
21	02981875	1	HOSE #16-16FJX-16FJX-93.5LG MOTOR PRESSURE RED (DIPPER)
22	02981876	1	HOSE #16-16FJX-16FJX-97LG MOTOR RETURN ORG (DIPPER)
23	02986741	1	HOSE #12-12FJX-12FJX90-200LG CASE DRAIN BLU (LIFT)
24	02981878	1	HOSE #12-12FJX-12FJX-96LG CASE DRAIN BLU (DIPPER)

HYD HOSE ROUTING - BOOM - 30 FT BOOM NEW HOSE ROUTING

Hose Part Number	Description	Connection 1	Connection 2
02981823	Door YLW (Lift)	Y (MJ)	Z (FJX)
02981824	Door Y/W (Lift)	Y (MJ)	Z (FJX)
02981828	Swivel GRN (Lift)	Y (MJ)	Z (FJX)
02981829	Swivel G/W (Lift)	Y (MJ)	Z (FJX)
02981832	Tilt RED (Lift)	Y (MJ)	Z (FJX)
02981833	Tilt R/W (lift)	Y (MJ)	Z (FJX)
02981834	Dipper BLU	Y (MJ)	O (FJX)
02981835	Dipper B/W	Y (MJ)	P (FJX)
02981836	Extension YLW (Dipper)	Z (MJ)	R (FJX)
02981837	Extension Y/W (Dipper)	Z (MJ)	Q (FJX)
02981838	Door YLW (Dipper)	Z (MJ)	V (FJX)
02981839	Door Y/W (Dipper)	Z (MJ)	U (FJX)
02981840	Swivel GRN (Dipper)	Z (MJ)	X (FJX)
02981841	Swivel G/W (Dipper)	Z (MJ)	W (FJX)
02981842	Tilt RED (Dipper)	Z (MJ)	S (FJX)
02981843	Tilt R/W (Dipper)	Z (MJ)	T (FJX)
02986749	Motor Pressure RED (Lift)	K (FJX)	L (FJX)
02986750	Motor Return ORG (Lift)	H (FJX)	N (FJX)
02981848	Motor Pressure RED (Dipper)	C (FJX)	F (FJX)
02981849	Motor Return ORG (Dipper)	A (FJX)	D (FJX)
02986751	Case Drain BLU (Lift)	J (FJX)	M (FJX)
02981851	Case Drain BLU (Dipper)	B (FJX)	E (FJX)

THIS PAGE INTENTIONAL LEFT BLANK

HYD HOSE ROUTING - SWING CYL - 24-30 FT BOOM

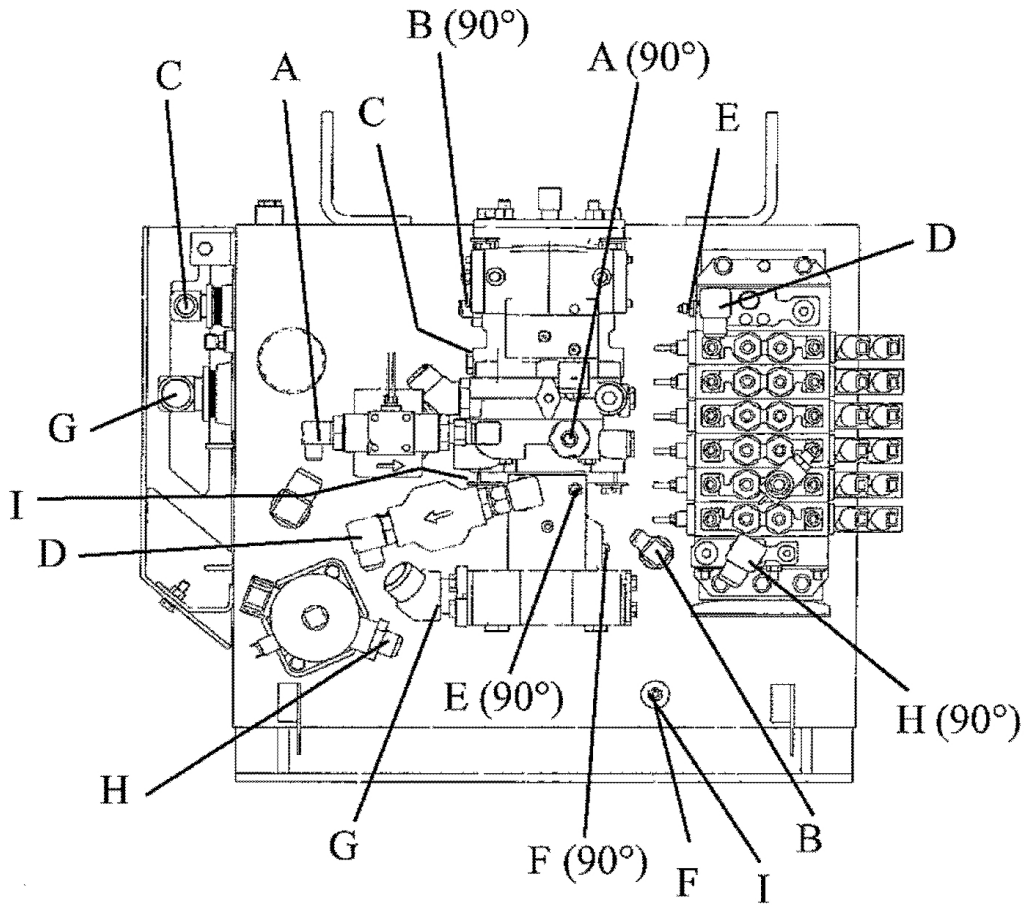


NOTE: Male JIC Hose End To
Extend Up Thru Holes

ITEM	PART NO.	QTY.	DESCRIPTION
A1	02981825	1	HOSE, # 6 - 6FJX - 6FJX - 28" LG
B1	02981825	1	HOSE, # 6 - 6FJX - 6FJX - 28" LG
C1	02981826	1	HOSE, # 6 - 6FJX - 6MJ - 16" LG (W/ GREEN PLATIC TIE)
C2	02981827	1	HOSE, # 6 - 6FJX - 6MJ - 16" LG (W/ GREEN & WHITE PLASTIC TIE)
34	02968832	1	PLASTIC TIE, GREEN
35	02968833	1	PLASTIC TIE, GREEN & WHITE

NOTE:HOSES ARE NOT SHOWN IN DRAWING ABOVE, THIS IS FOR CLARITY. THE HOSE ROUTING IS FOR THE HOSES WHICH CONNECT FROM ONE POINT TO THE OTHER. USE THE INSTRUCTIONS AND HOSE DESCRIPTION LISTED TO FOLLOW HOSE ROUTING.

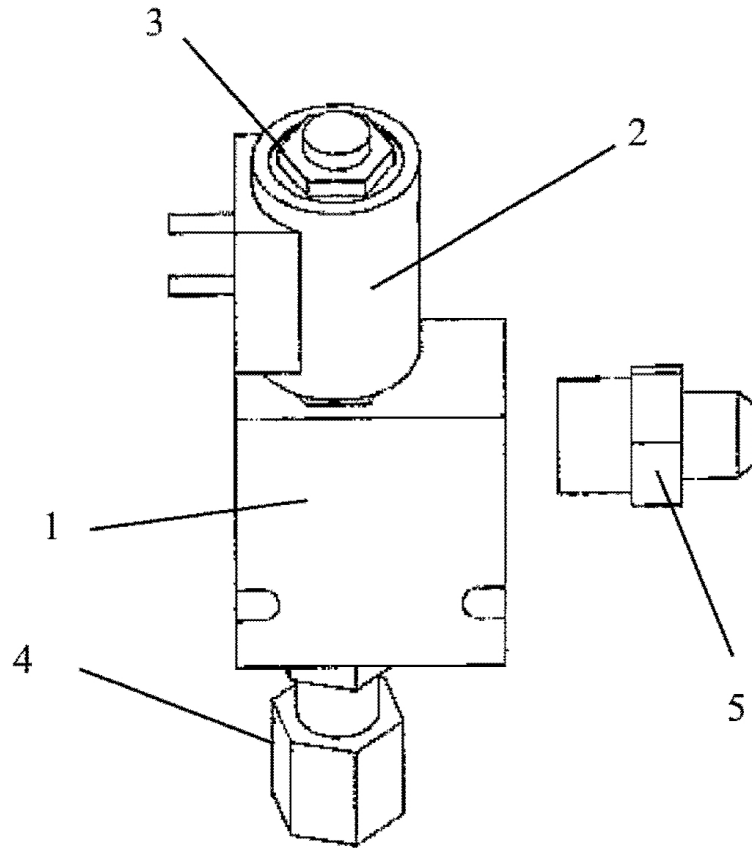
HYD KIT - HOSE ROUTING



ITEM	PART NO.	QTY.	DESCRIPTION
A	02981427	1	HOSE, #8-8FJX-8FJX90°-24"LG./RED TIE (CHARGE FILTER TO PUMP)
B	02981428	1	HOSE, #8-8FJX-8FJX90°-21" LG./BLU TIE (CASE DRAIN TO TANK)
C	02981429	1	HOSE, #12-12FJX-12FJX-23"LG.(PUMP TO SUCTION FILTER)
D	02981430	1	HOSE, #12-12FJX-12FJX-31"LG./RED TIE (PRESSURE FILTER TO SUPPLY)
E	02981431	1	HOSE, #4-4FJX-4FJX90°-35"LG./RED TIE (PUMP LOAD SENSE TO VALVE PX)
F	02981432	1	HOSE, #4-4FJX-4FJX90°-20"LG./BLU TIE (PUMP REGULATOR TO TANK)
G	02981433	1	HOSE, #20-20FJX-20FJX-24"LG.(PUMP TO SUCTION FILTER)
H	02981462	1	HOSE, #12-12FJX-12FJX90°-20"LG./ORG TIE (VALVE RETURN TO FILTER)
I	02823600	1	HOSE, #4-4FJX-4FJX-28" LG (AIR BLEED PUMP TO TANK)

NOTE:HOSES ARE NOT SHOWN IN DRAWING ABOVE, THIS IS FOR CLARITY. THE HOSE ROUTING IS FOR THE HOSES WHICH CONNECT FROM ONE POINT TO THE OTHER. USE THE INSTRUCTIONS AND HOSE DESCRIPTION LISTED TO FOLLOW HOSE ROUTING.

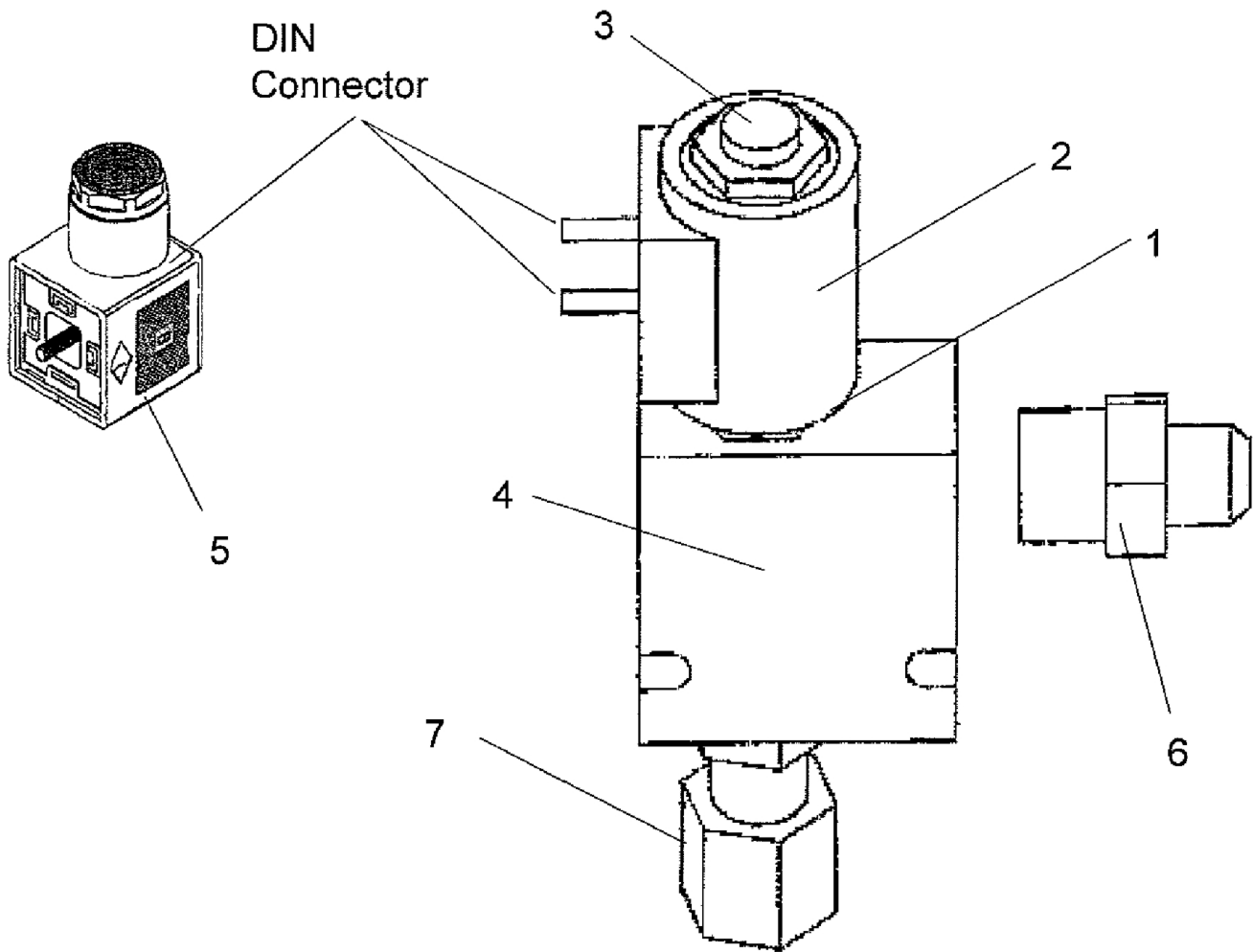
HYD LOCK VALVE SOLENOID ASY - PN 02972208 (OLD STYLE)



ITEM	PART NO.	QTY.	DESCRIPTION
	02972208	1	SOLENOID VALVE ASY (LOCK VALVE)
1	02971425	1	SEAL KIT, FOR SOLENOID VALVE
2	02975198	1	COIL, 12VDC W/DUAL 8-32NF STUDS
3	02975199	1	CARTRIDGE, SOLENOID VALVE
4	02975438	1	ADAPTER HYD, STRAIGHT 8MB - 8FJX
5	02981890	1	ADAPTER HYD, STRAIGHT 8MB - 6MJ

NOTE:HYD LOCK VALVE SOLENOID CHANGE, SOLENOID USES A DIN (TWO PRONG) CONNECTOR FOR NEW STYLE. THE OLD SOLENOID USED THREADED STUDS TO CONNECT THE WIRE HARNESS. CHECK WHICH TYPE BEFORE ORDERING REPLACEMENT PARTS. SOLENOID VALVE ASY WILL NOT INCLUDE FITTINGS ITEMS 4 & 5, THESE ARE SHOWN AS ILLUSTRATION ONLY IN THIS DRAWING.

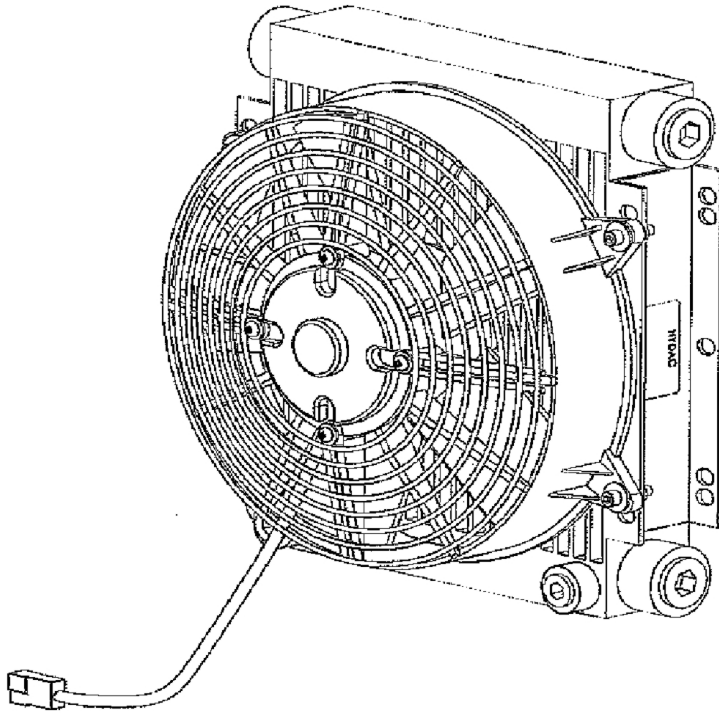
HYD LOCK VALVE SOLENOID ASY - PN 02972208A (NEW STYLE)



ITEM	PART NO.	QTY.	DESCRIPTION
	02972208A	1	SOLENOID VALVE ASY
1	02984756	1	SEAL KIT, F/ SOLENOID VALVE
2	02984759	1	COIL 12V DC W/ DIN CONNECTION
3	02984758	1	CARTRIDGE, SOLENOID VALVE
4	02984757	1	BODY, SOLENOID VALVE
5	002504	1	CONNECTOR, COIL DIN CONNECTION
6	-----	1	ADAPTER FITTING, HYD (NOT INCLUDED) (REFERENCE ONLY)
7	-----	1	ADAPTER FITTING, HYD (NOT INCLUDED) (REFERENCE ONLY)

NOTE:HYD LOCK VALVE SOLENOID CHANGE, SOLENOID USES A DIN (TWO PRONG) CONNECTOR FOR NEW STYLE. THE OLD SOLENOID USED THREADED STUDS TO CONNECT THE WIRE HARNESS. CHECK WHICH TYPE BEFORE ORDERING REPLACEMENT PARTS. SOLENOID VALVE ASY WILL NOT INCLUDE FITTINGS ITEMS 6 & 7, SHOWN AS ILLUSTRATION ONLY IN THIS DRAWING.

HYD OIL COOLER - PN 02981377

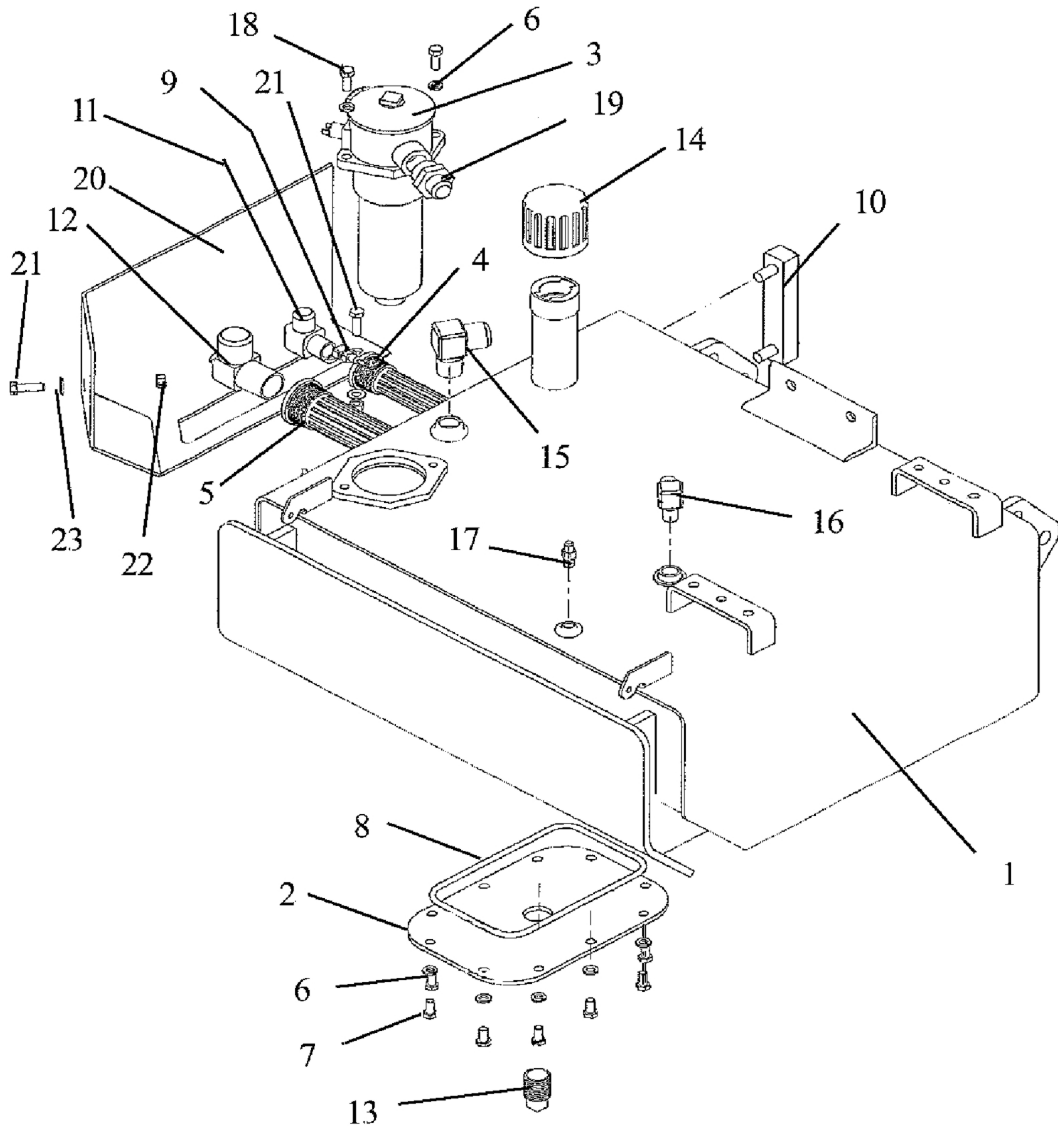


Two Wires in plug
1 - Red Wire + Connection
1 - Black Wire - Connection
Connects to exterior wire
harness

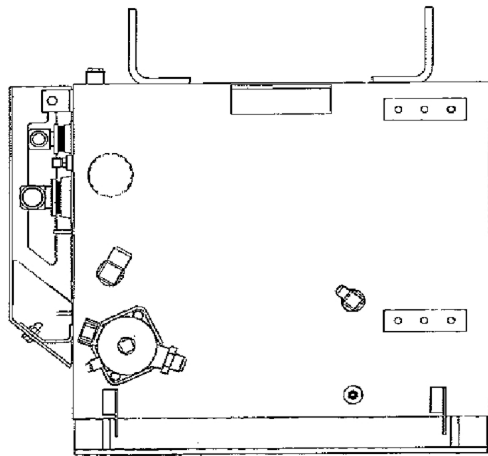
ITEM	PART NO.	QTY.	DESCRIPTION
1	02981377	1	HYD OIL COOLER & ELECTRIC FAN ASY.
	02981886	1	HEAT EXCHANGE CORE
	02981887	1	HEAT EXCHANGE FAN

THIS PAGE INTENTIONAL LEFT BLANK

HYD TANK ASY - PN 02981388



Note Orientation For
Hydraulic Adapters

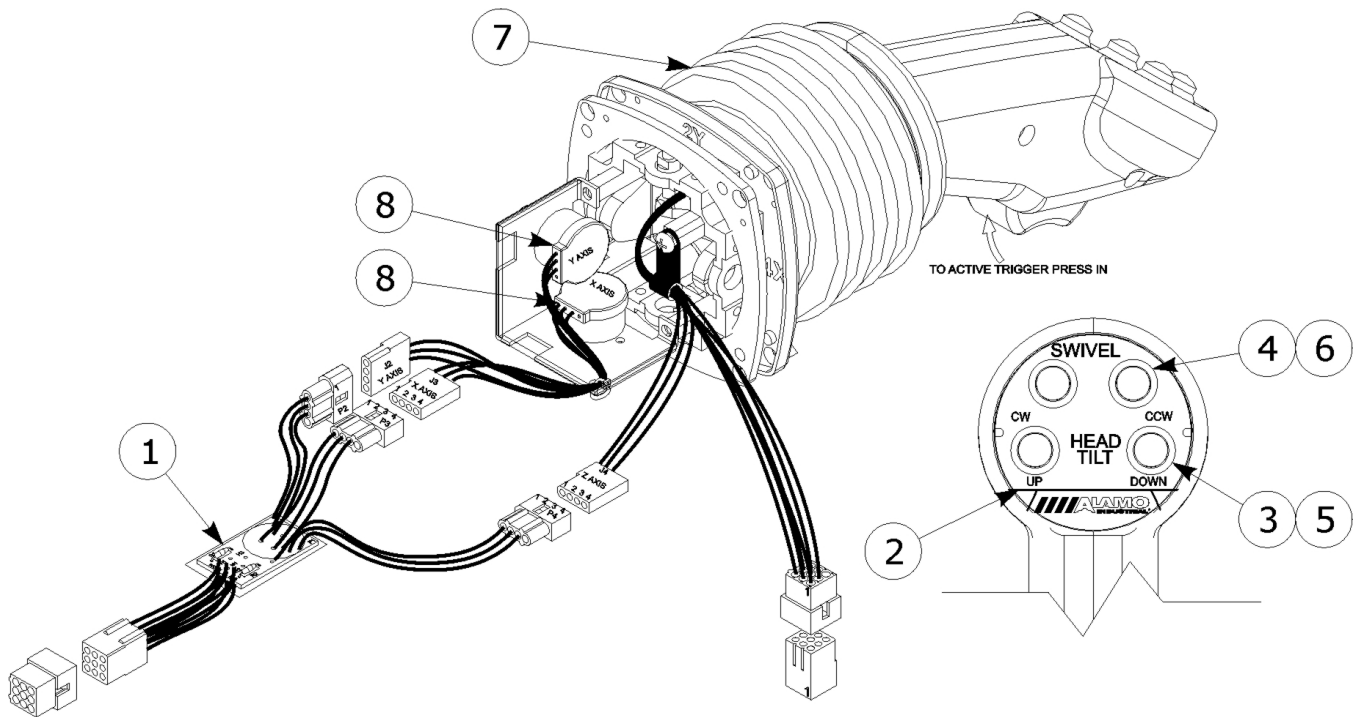


HYD TANK ASY - PN 02981388

Continued...

ITEM	PART NO.	QTY.	DESCRIPTION
	02981388	1	HYDRAULIC TANK ASY, 24 OR 30 FT MODEL
1	02981389	1	HYDRAULIC TANK WELDMENT
2	02981413	1	CLEANOUT COVER WELDMENT
3	02981391	1	RETURN FILTER
4	02968166	1	SUCTION STRAINER, 1-1/4" W/ 3/4" OUTLET
5	02964345	1	SUCTION STRAINER, 2" W/ 1-1/4" OUTLET
6	00012101	12	LOCKWASHER, HEAVY 3/8" PL
7	00002000	10	BOLT, HEX HEAD 3/8"-16NC X 3/4 ZP GR5
8	02981400	1	O-RING, CLEANOUT SEAL
9	02981412	1	TEMPERATURE SENSOR
10	02968880	1	GAUGE, SIGHT & TEMPERATURE
11	02041800	1	ADAPTER HYD, ELBOW 12MP -12MJ - 90 DEG.
12	02958920	1	ADAPTER HYD, ELBOW 20MP - 20MJIC - 90 DEG.
13	02963659	1	MAGNETIC PIPE PLUG, 1"
14	02980215	1	BREATHER CAP, W/ RING
15	02042600	1	ADAPTER HYD, ELBOW 16MJ - 16MP - 90 DEG.
16	02825900	1	ADAPTER HYD, ELBOW 8MP - 8MJ - 90 DEG.
17	02823200	1	ADAPTER HYD, STRAIGHT 4MJ - 4MP
18	00011400	2	BOLT, HEX HEAD 3/8"-NC X 1" PL GR5
19	02958316	1	ADAPTER HYD, STRAIGHT 16MB - 12MJ
20	02981386	1	FORMED SHIELD ASY.
21	00753642	2	BOLT, HEX HEAD 3/8"NC X 1-1/4" PL GR5
22	00015800	2	LOCKNUT, 3/8"-NC PLB
23	00011100	2	FLATWASHER, 3/8" PL STD

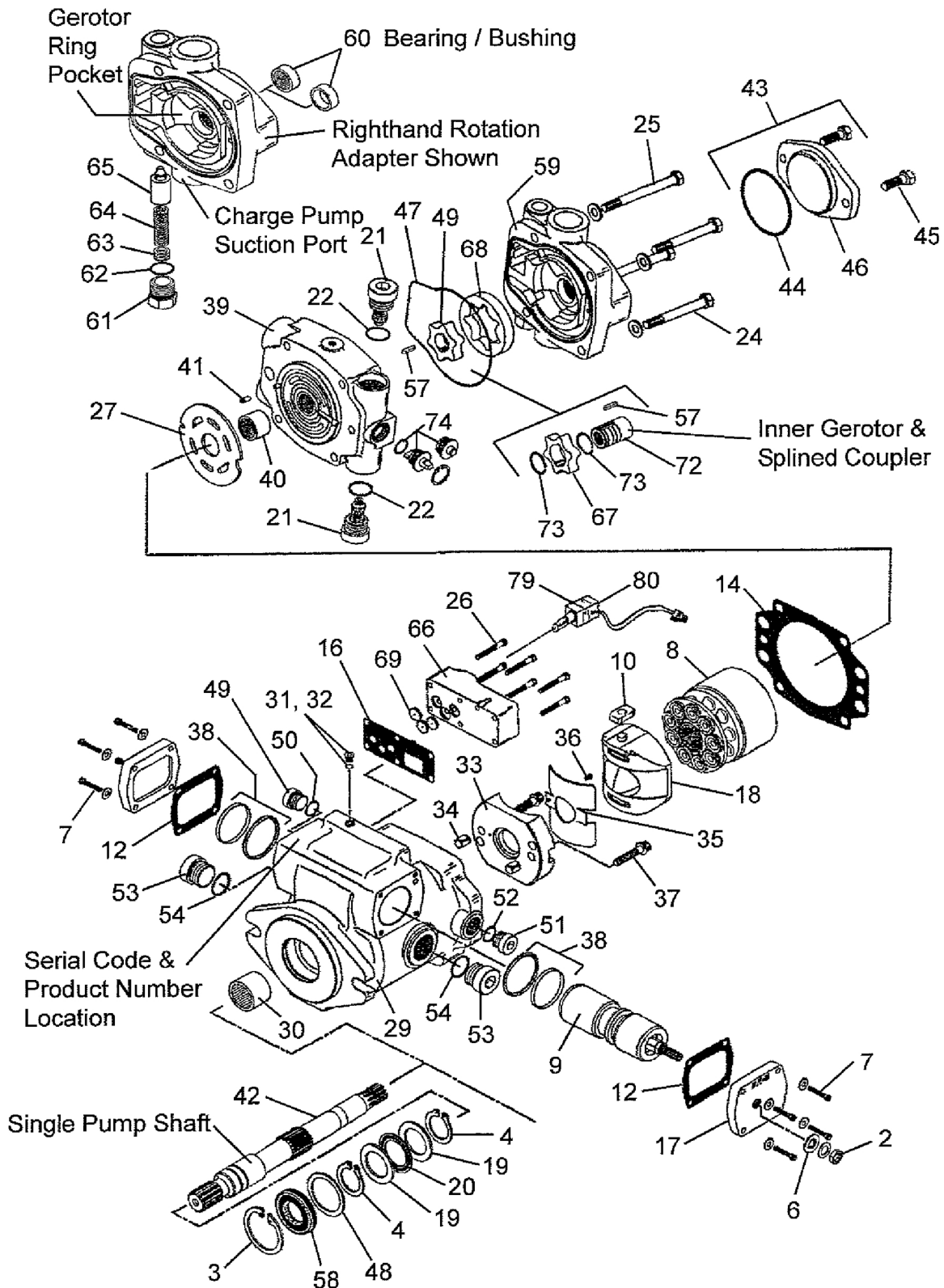
JOYSTICK ASY - P/N 02981374



ITEM	PART NO.	QTY.	DESCRIPTION
	02981374	1	JOYSTICK, 5 BUTTON
1	02981990	1	RESISTOR HARNESS
2	02981989	1	OPERATION DECAL
3	02981023	2	PUSH BUTTON BLACK
4	02981022	2	PUSH BUTTON RED
5	02983473	2	PUSH BUTTON BLACK CAP ONLY
6	02983472	2	PUSH BUTTON RED CAP ONLY
7	02983475	1	POTENTIOMETER - SWING
8	02983476	2	POTENTIOMETER - LIFT & DIPPER

THIS PAGE INTENTIONAL LEFT BLANK

PUMP ASY (SERVO CONTROLLED) - PN 02978986 (PART 1)

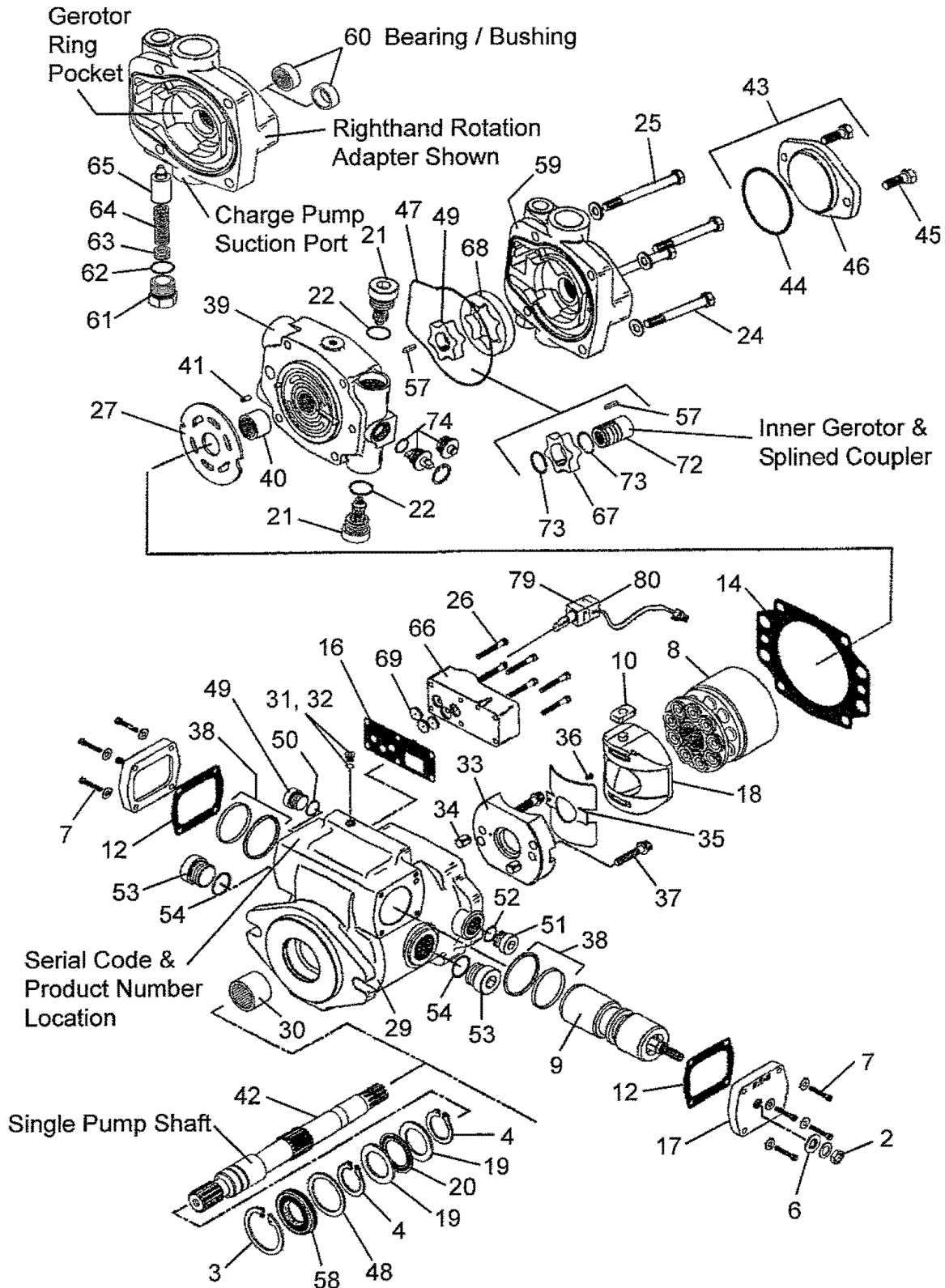


PUMP ASY (SERVO CONTROLLED) - PN 02978986 (PART 1)

Continued...

ITEM	PART NO.	QTY.	DESCRIPTION
	02978986	1	PUMP, MED DUTY HYDROSTAT
2	02977418	1	NUT, JAM
3	02977419	1	RING, RETAINING
4	02977420	2	RING, RETAINING
6	02977421	1	WASHER, SEAL
7	02977422	8	SCREW, CAP
8	02977423	1	ROTATING KIT, SUBASSY
9	02977424	1	SERVO PISTON SUBASSY
10	02977425	1	FOLLOWER, SERVO PISTON
11	02977426	1	PLATE, COVER
12	02977427	2	GASKET, COVER PLATE
14	02977428	1	GASKET, HOUSING
16	02970209	1	GASKET, CONTROL HOUSING
17	02977430	1	PLATE, COVER
18	02977431	1	CAMPLATE, SUBASSY
19	02977432	2	RACE, THRUST
20	02977433	1	BEARING, THRUST
21	02977434	2	RELIEF VALVE SUBASSY
22	02977525	2	O-RING .116 DIA X .924INSIDE
23	02977434	1	RELIEF VALVE SUBASSY
24	02977436	2	SCREW, CAP
25	02977437	2	SCREW, CAP
26	02970208	6	SHCS #12 NC 1-1/2 LG
27	02977439	1	PLATE, VALVE
28	02977440	1	HOUSING SUBASSY
29	02977526	1	HOUSING
30	02977527	1	BEARING (PRESS FIT)
31	02977528	1	PLUG, SUBASY
32	02977529	1	O-RING .064 DIA X .239INSIDE
33	02977530	1	CRADLE SUB-ASY
34	02977531	2	BUSHING, DOWEL
35	02977532	1	BUSHING
36	02977533	1	CAP SCREW, BUTTON HEAD
37	02977534	2	CAP SCREW
38	02977535	2	SEAL SUBASY
39	02977441	1	BACKPLATE SUBASSY
40	02977536	1	BEARING, PRESS FIT
41	02977537	1	ROLL PIN
42	02977325	1	SHAFT, PISTON PUMP

PUMP ASY (SERVO CONTROLLED) - PN 02978986 (PART 2)

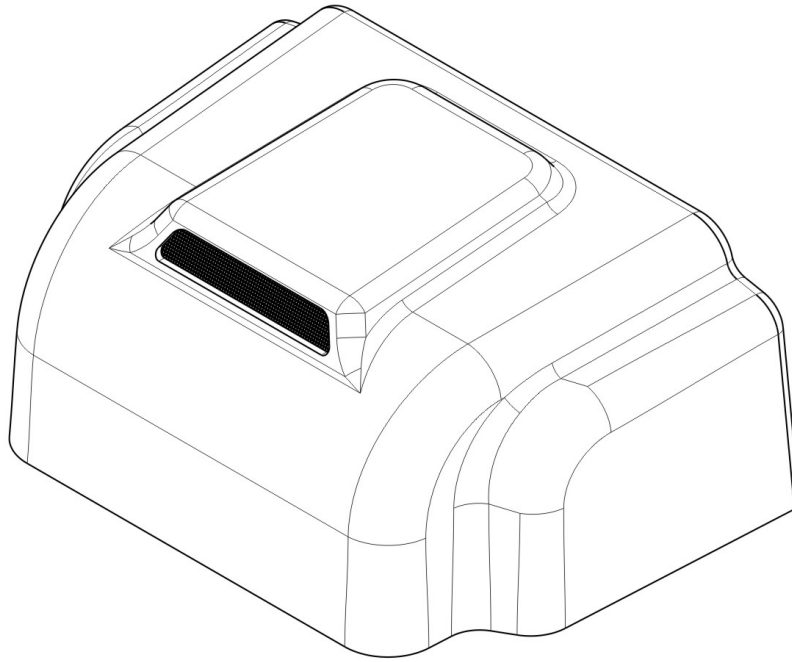


PUMP ASY (SERVO CONTROLLED) - PN 02978986 (PART 2)

Continued...

ITEM	PART NO.	QTY.	DESCRIPTION
47	02977443	1	O-RING MOLDED
48	02977445	1	WASHER
49	02977446	1	PLUG, SUBASSY
50	02977538	1	O-RING .087 DIA X .644INSIDE
51	02977540	1	USE 02977446
52	02977541	1	USE 02977538
53	02977447	2	PLUG, SUBASSY
54	02977539	2	O-RING .116 DIA X .924INSIDE
55	02977448	1	KEY
56	02977199	1	SEAL PUMP SHAFT
58	02977543	1	BUSHING, PRESS FIT W/11 TOOTH
59	02977544	1	PLUG
60	02977545	1	O-RING
61	02977546	1	SHIM (1)NOTE: MAY REQUIRE MORE
62	02977547	1	SPRING
63	02977548	1	POPPET
64	02970207	1	ASY,SOLENOID SERVO CONTROL
65	02977451	1	GEROTOR, INNER RING
66	02977452	1	GEROTOR, OUTER RING
67	02977453	3	ORIFICE, CONTROL VALVE
68	02977456	1	COUPLER
69	02977457	2	RING, RETAINING
70	02977458	1	PLUG SUBASSY
71	02977459	1	WASHER
72	02977460	8	WASHER
73	02977461	4	WASHER
74	02977462	1	RING LOCK
75	02972835	1	ASY CARTRIDGE VALVE W/O COIL
76	02983257	1	CARTRIDGE SOL VLV 3-WAY 2-POS
77	02972836	1	ASY COIL
78	02983256	1	COIL 12VDC

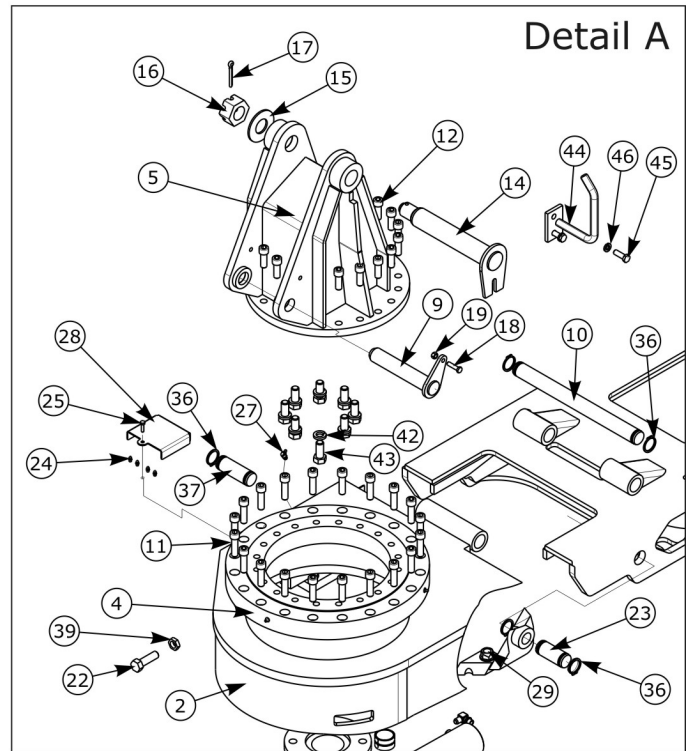
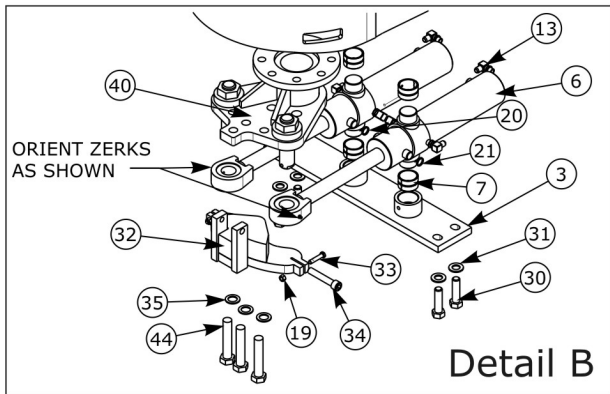
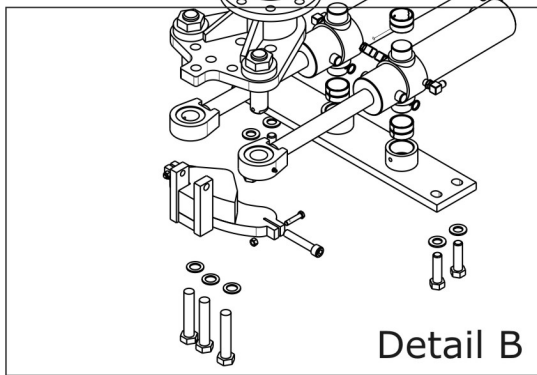
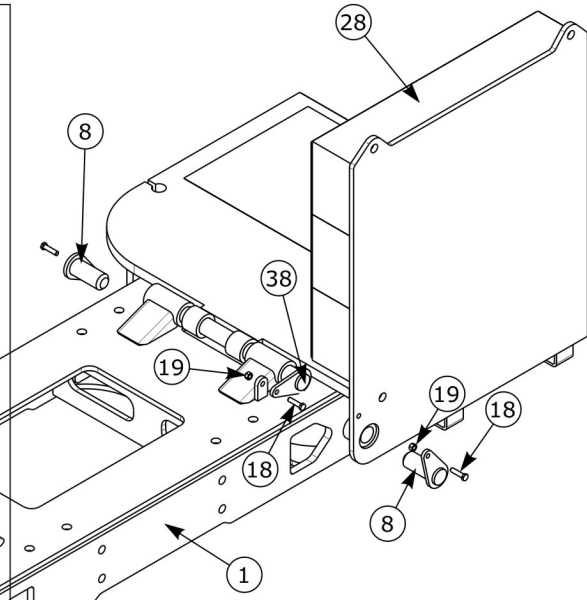
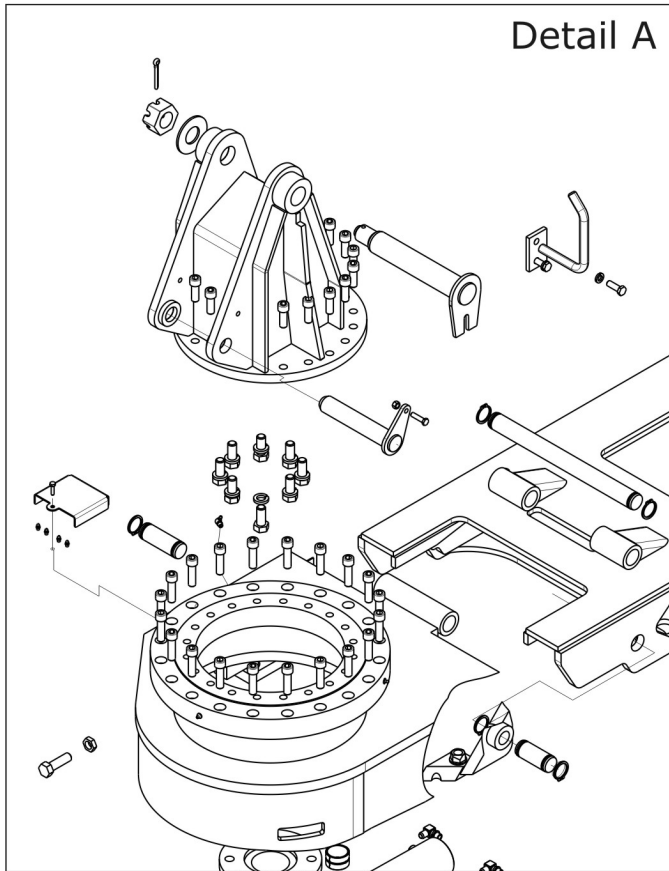
PUMP-TANK-VALVE COVER - PN 02981381



ITEM	PART NO.	QTY.	DESCRIPTION
1	02981381	1	PUMP COVER ASY
2	02981441	2	KNOB STUD, 3/8"-NC X 1-1/2"
3	00992000	3	CABLE, PUMP COVER STOP
4	00001000	2	CABLE CLAMP

THIS PAGE INTENTIONAL LEFT BLANK

UNDER MOUNT FRAME ASY - PN 02986426 (PART 1)

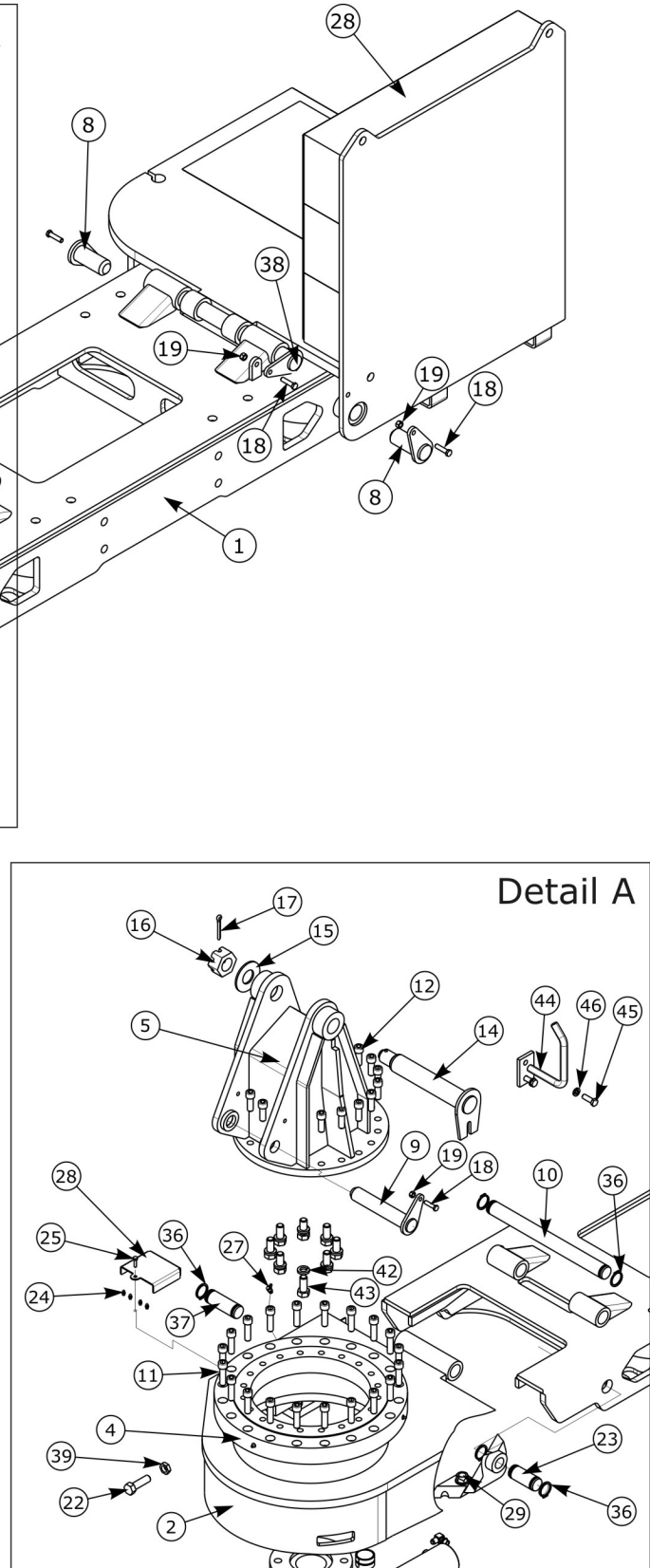
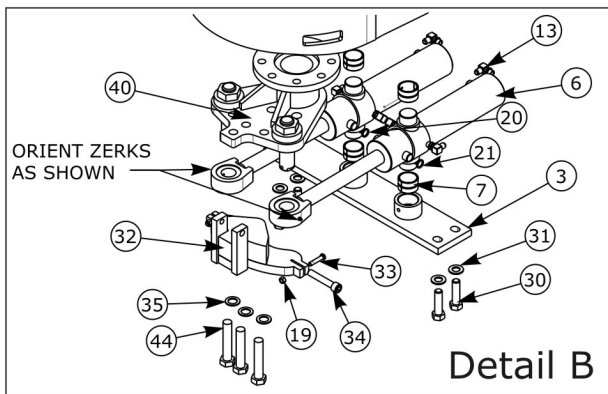
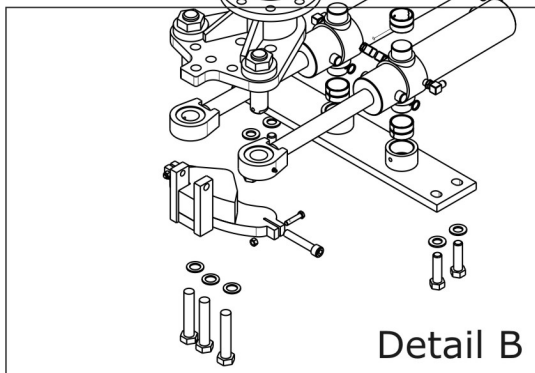
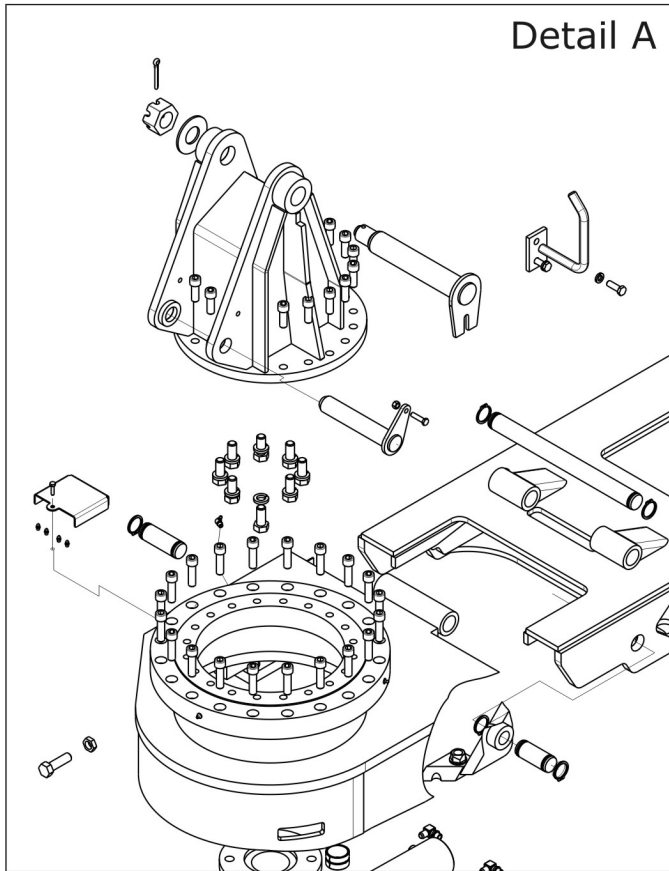


UNDER MOUNT FRAME ASY - PN 02986426 (PART 1)

Continued...

ITEM	PART NO.	QTY.	DESCRIPTION
	02986426	1	ASY, UM FRAME
1	02981168	1	WELDMENT, CENTER SECTION, UNDER MOUNT
2	02986506	1	MACHINED, BOOM MOUNT, UNDER MOUNT
3	02983977	1	WELDMENT, TRUNION
4	02981317	1	BEARING, 20" SLEWING
5	02981141	1	MACHINED, TURRET, UNDER MOUNT
6	02981275A	2	CYLINDER, 3.0B X 1.5R X 12.0S, SWING
7	02981419	4	CONNEX BUSHING, 2 X 1 3/4 X 1 1/4 OD GROOVE
8	02981692	2	WELDMENT, ATTACHMENT PIN LONG, UNDER MOUNT
9	02981295	1	WELDMENT, PIN, TURRET LIFT CYLINDER
10	02986438	1	PIN, 1 1/2 X 17 3/4
11	02981785	20	SHCS 5/8 NC 2 1/4 PL8
12	02981786	18	SHCS 5/8 NC 1 3/4 PL8
13	63149100	6	ADP, HYD ELBOW 6MB-6MJ 90
14	02981293	1	WELDMENT, PIN, TURRET/LIFT
15	15B2400	1	FLATWASHER NAR 1-1/2 PL
16	02981702	1	SLOTTED NUT, 1-1/2 NF
17	165020	1	PIN, COTTER 5/16 X 2-1/2 PL
18	00023100	4	HHCS 3/8 X 1-1/2 NC PL GR5
19	00015800	6	LOCKNUT TLM 3/8 NC PLC
20	02968832	1	PLASTIC TIE, GREEN
21	02968833	1	PLASTIC TIE, GREEN & WHITE
22	02963646	1	HHCS 3/4 NC 2-1/2 PL8
23	02986432	1	PIN, SHORT, FRONT, PEDESTAL
24	00752670	4	GREASE FITTING 1/4-28 BOLT THD
25	10058000	1	HHCS 1/4NC-1" PL GR5
26	02983027	1	SHIELD, MANIFOLD
27	00752176	1	FITTING, GREASE 1/8 MP 90 DEG
28	02983680	1	WELDMENT UNDERFRAME CWT
29	00037200	4	NUT 3/4 NC LOCKNUT
30	02960521	4	HHCS 3/4 NC 2-3/4 PL8
31	5312316	8	FLATWASHER 3/4 HARDENED
32	02986500	1	WELDMENT, DOUBLE SHEAR STRAP
33	02957042	2	HHCS 3/8NC 1-3/4 PL GR8
34	02975033	1	SHCS, 5/8-11 X 3.5"
35	00761535	3	WASHER, 7/8" HARDENED PLAIN
36	03200930	6	RETAINING RING, 1.5 SHAFT HEAVY DUTY
37	02986433	1	PIN, LONG, REAR, PEDESTAL
38	02986729	1	WELDMENT, ATTACHMENT PIN TOP, UNDER MOUNT
39	02023900	1	3/4 JAM NUT
40	02985588	1	ASY TURRET CYLINDER LINKW/STEP PINS

UNDER MOUNT FRAME ASY - PN 02986426 (PART 2)

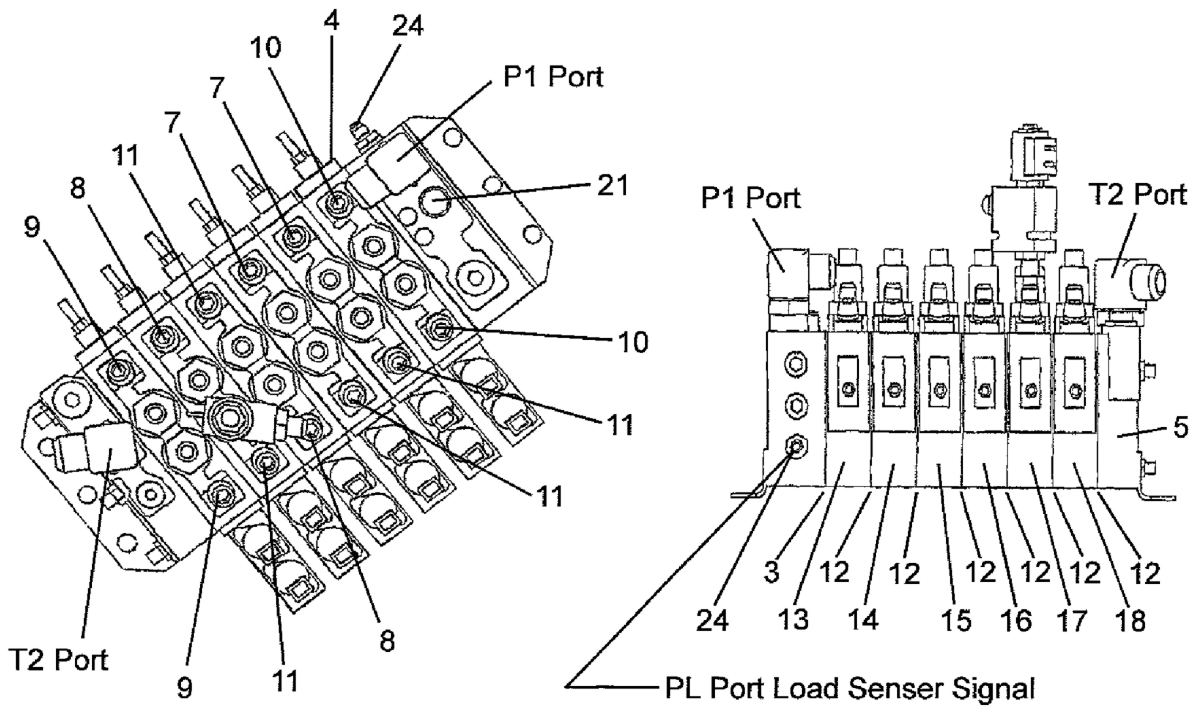
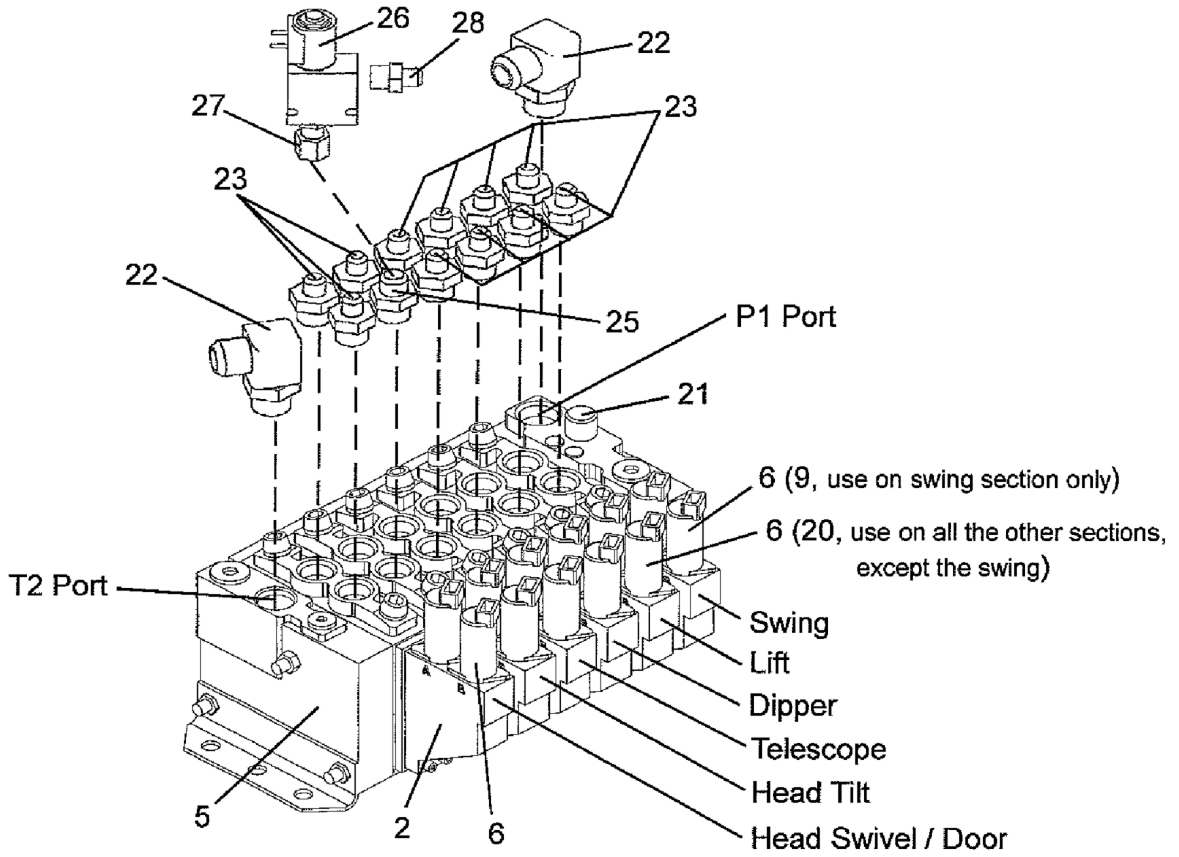


UNDER MOUNT FRAME ASY - PN 02986426 (PART 2)

Continued...

ITEM	PART NO.	QTY.	DESCRIPTION
41	02986441	3	HHCS 7/8" X 4-1/2" LG GR8
42	00003901	8	LOCKWASHER 3/4 HEAVY
43	02963645	8	HHCS 3/4 NC 1-3/4 PL8
44	02984077	1	WLDMT, HOSE GUIDE
45	02892000	2	HHCS 1/2NC 1-1/2 LG PL8
46	00019600	2	LOCKWASHER 1/2 HEAVY

VALVE ASY W-FITTINGS - PN 02981888

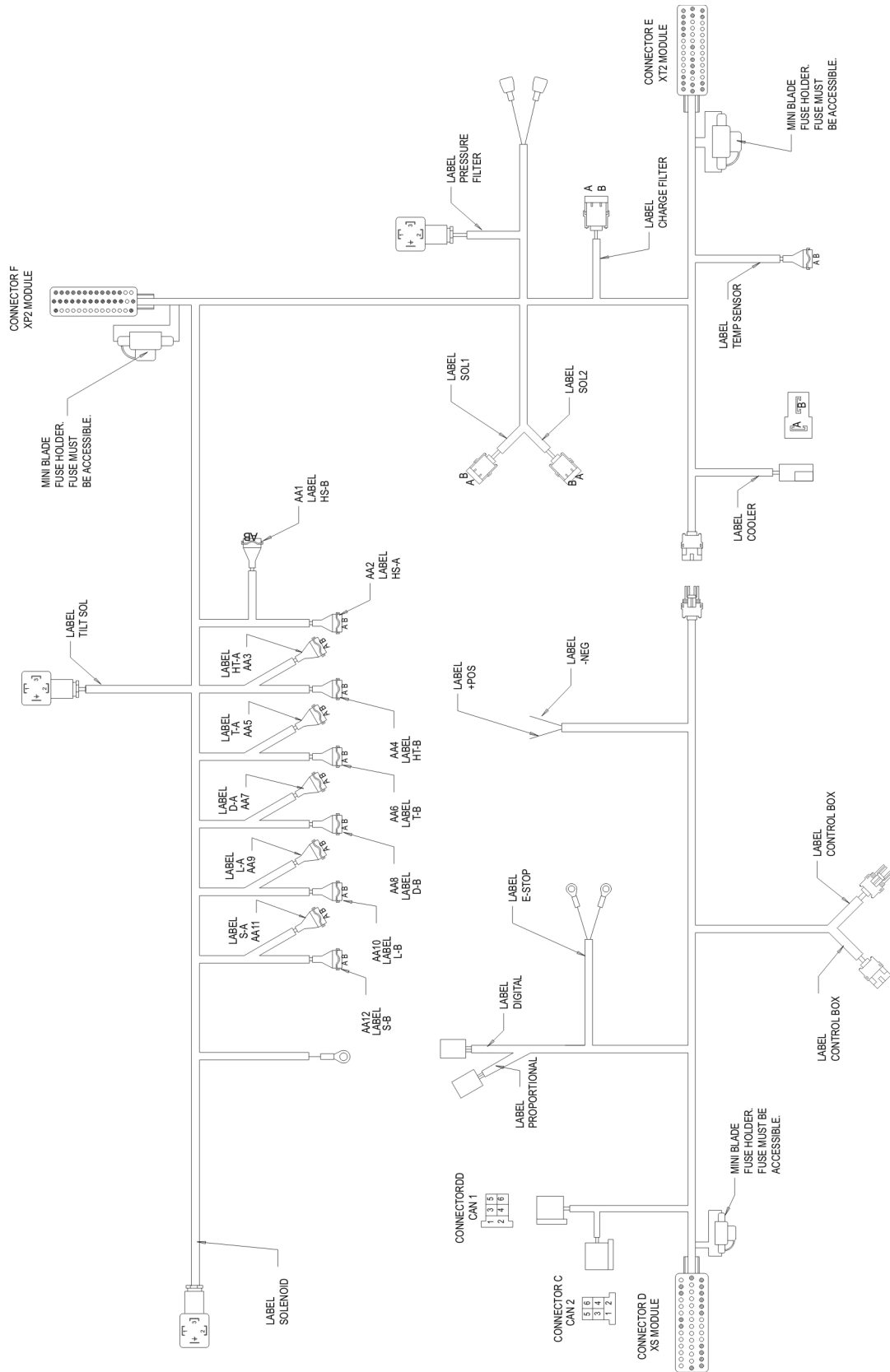


VALVE ASY W-FITTINGS - PN 02981888

Continued...

ITEM	PART NO.	QTY.	DESCRIPTION
	02981370	1	VALVE, HYD LS 6-SECTION
2	02981919	6	CAP KIT, ECH
3	02981918	1	INLET SECTION, SEAL KIT
4	02981920	6	STROKE LIMITER PC
5	02981917	1	END SECTION, US, STD
6	02981916	12	SOLENOID, 12VDC
7	02984522	2	RELIEF, 80BAR
8	02984523	2	RELIEF, 140BAR
9	02984524	2	RELIEF, 190BAR
10	02984525	2	RELIEF, 210BAR
11	02984526	4	PLUG, Y2
12	02984527	6	INTERSECTION SEAL KIT
13	02984514	1	SWING SECTION - COMPLETE
14	02984515	1	LIFT SECTION - COMPLETE
15	02984516	1	DIPPER SECTION - COMPLETE
16	02984517	1	TELESCOPE SECTION - COMPLETE
17	02984467	1	TILT SECTION - COMPLETE
18	02984518	1	SWIVEL SECTION - COMPLETE
19	02984521	2	PILOT ORIFICE (1MM)
20	02984520	10	PILOT ORIFICE (.8MM)
21	02984519	1	MAIN RELIEF
22	02090800	2	ADAPTER, HYD, ELBOW
23	02972177	11	ADAPTER HYD STRAIGHT 10MB - 6MJ
24	03200284	1	ADAPTER HYD STRAIGHT 6MB - 4MJ
25	02981889	1	ADAPTER HYD STRAIGHT 10MB - 8MJ
26	02972208	1	SOLENOID VALVE ASY
27	02975428	1	BAR REAR MOUNT
28	02981890	1	ADAPTER HYD STRAIGHT 8MB - 6MJ

WIRING HARNESS



WIRING HARNESS

Continued...

ITEM	PART NO.	QTY.	DESCRIPTION
1	02984734	1	ASY, HARNESS, MAVERICK

Alamo Industrial

LIMITED WARRANTY

1. LIMITED WARRANTIES

- 1.01. Servis-Rhino warrants for one year from the purchase date to the original non-commercial, governmental, or municipal purchaser ("Purchaser") and warrants for six months to the original commercial or industrial purchaser ("Purchaser") that the goods purchased are free from defects in material or workmanship.
- 1.02. Manufacturer will replace for the Purchaser any part or parts found, upon examination at one of its factories, to be defective under normal use and service due to defects in material or workmanship.
- 1.03. This limited warranty does not apply to any part of the goods which has been subjected to improper or abnormal use, negligence, alteration, modification, or accident, damaged due to lack of maintenance or use of wrong fuel, oil, or lubricants, or which has served its normal life. This limited warranty does not apply to any part of any internal combustion engine, or expendable items such as blades, shields, guards, or pneumatic tires except as specifically found in your Operator's Manual.
- 1.04. Except as provided herein, no employee, agent, Dealer, or other person is authorized to give any warranties of any nature on behalf of Manufacturer.

2. REMEDIES AND PROCEDURES.

- 2.01. This limited warranty is not effective unless the Purchaser returns the Registration and Warranty Form to Manufacturer within 30 days of purchase.
- 2.02. Purchaser claims must be made in writing to the Authorized Dealer ("Dealer") from whom Purchaser purchased the goods or an approved Authorized Dealer ("Dealer") within 30 days after Purchaser learns of the facts on which the claim is based.
- 2.03. Purchaser is responsible for returning the goods in question to the Dealer.
- 2.04. If after examining the goods and/or parts in question, Manufacturer finds them to be defective under normal use and service due to defects in material or workmanship, Manufacturer will:
 - (a) Repair or replace the defective goods or part(s) or
 - (b) Reimburse Purchaser for the cost of the part(s) and reasonable labor charges (as determined by Manufacturer) if Purchaser paid for the repair and/or replacement prior to the final determination of applicability of the warranty by Manufacturer.The choice of remedy shall belong to Manufacturer.
- 2.05. Purchaser is responsible for any labor charges exceeding a reasonable amount as determined by Manufacturer and for returning the goods to the Dealer, whether or not the claim is approved. Purchaser is responsible for the transportation cost for the goods or part(s) from the Dealer to the designated factory.

3. LIMITATION OF LIABILITY.

- 3.01. MANUFACTURER DISCLAIMS ANY EXPRESS (EXCEPT AS SET FORTH HEREIN) AND IMPLIED WARRANTIES WITH RESPECT TO THE GOODS INCLUDING, BUT NOT LIMITED TO, MERCHANTABILITY AND FITNESS FOR A PARTICULAR PURPOSE.
- 3.02. MANUFACTURER MAKES NO WARRANTY AS TO THE DESIGN, CAPABILITY, CAPACITY, OR SUITABILITY FOR USE OF THE GOODS.
- 3.03. EXCEPT AS PROVIDED HEREIN, MANUFACTURER SHALL HAVE NO LIABILITY OR RESPONSIBILITY TO PURCHASER OR ANY OTHER PERSON OR ENTITY WITH RESPECT TO ANY LIABILITY, LOSS, OR DAMAGE CAUSED OR ALLEGED TO BE CAUSED DIRECTLY OR INDIRECTLY BY THE GOODS INCLUDING, BUT NOT LIMITED TO, ANY INDIRECT, SPECIAL, CONSEQUENTIAL, OR INCIDENTAL DAMAGES RESULTING FROM THE USE OR OPERATION OF THE GOODS OR ANY BREACH OF THIS WARRANTY. NOTWITHSTANDING THE ABOVE LIMITATIONS AND WARRANTIES, MANUFACTURER'S LIABILITY HEREUNDER FOR DAMAGES INCURRED BY PURCHASER OR OTHERS SHALL NOT EXCEED THE PRICE OF THE GOODS.
- 3.04. NO ACTION ARISING OUT OF ANY CLAIMED BREACH OF THIS WARRANTY OR TRANSACTIONS UNDER THIS WARRANTY MAY BE BROUGHT MORE THAN TWO (2) YEARS AFTER THE CAUSE OF ACTION HAS OCCURRED.

4. MISCELLANEOUS.

- 4.01. Proper Venue for any lawsuits arising from or related to this limited warranty shall be only in Guadalupe County, Texas.
- 4.02. Manufacturer may waive compliance with any of the terms of this limited warranty, but no waiver of any terms shall be deemed to be a waiver of any other term.
- 4.03. If any provision of this limited warranty shall violate any applicable law and is held to be unenforceable, then the invalidity of such provision shall not invalidate any other provisions herein.
- 4.04. Applicable law may provide rights and benefits to purchaser in addition to those provided herein.

KEEP FOR YOUR RECORDS

ATTENTION: Purchaser should fill in the blanks below for his reference when buying repair parts and/or for proper machine identification when applying for warranty.

Servis-Rhino Implement Model _____ Serial Number _____

Date Purchased _____ Dealer _____

ATTENTION:
READ YOUR OPERATOR'S MANUAL





TO THE OWNER/OPERATOR/DEALER

To keep your implement running efficiently and safely, read your manual thoroughly and follow these directions and the Safety Messages in this Manual. The Table of Contents clearly identifies each section where you can easily find the information you need.

The OCCUPATIONAL SAFETY AND HEALTH ACT (1928.51 Subpart C) makes these minimum safety requirements of tractor operators:

REQUIRED OF THE OWNER:

1. Provide a Roll-Over-Protective Structure that meets the requirements of this Standard; and
2. Provide Seatbelts that meet the requirements of this paragraph of this Standard and SAE J4C; and
3. Ensure that each employee uses such Seatbelt while the tractor is moving; and
4. Ensure that each employee tightens the Seatbelt sufficiently to confine the employee to the protected area provided by the ROPS.

REQUIRED OF THE OPERATOR

1. Securely fasten seatbelt if the tractor has a ROPS.
2. Where possible, avoid operating the tractor near ditches, embankments, and holes.
3. Reduce speed when turning, crossing slopes, and on rough, slick, or muddy surfaces.
4. Stay off slopes too steep for safe operation.
5. Watch where you are going - especially at row ends, on roads, and around trees.
6. Do not permit others to ride.
7. Operate the tractor smoothly - no jerky turns, starts, or stops.
8. Hitch only to the drawbar and hitch points recommended by the tractor manufacturer.
9. When the tractor is stopped, set brakes securely and use park lock, if available.



Keep children away from danger all day, every day...



Equip tractors with rollover protection (ROPS) and keep all machinery guards in place...



Please work, drive, play and live each day with care and concern for your safety and that of your family and fellow citizens.



Maverick Boom. 24 ft & 30 ft. (12/04)

© 2007 Alamo Group Inc.